



Electrolux

Modular Cooking Range Line Pasta Cooker, electric, 10.5gal (2 wells)

ITEM # _____

MODEL # _____

NAME # _____

SIS # _____

AIA # _____



Modular Cooking Range Line

Pasta Cooker, electric, 10.5gal (2 wells)

391204 (E9PCEH2MF2) Electric Pasta Cooker,
10.5gal (40LT) 2 WELLS -
208V/3ph/60Hz

Short Form Specification

Item No. _____

Pasta Cooker, electric, Pair of 10.5 gallon (40 Lt) tanks, 66lb/hour capacity each, automatic starch removal, automatic low water level controls, 9 position energy controls, 316 stainless steel tank, stainless steel cabinet & legs

Main Features

- In addition to cooking pasta, the appliance can be used for noodles of every kind, rice, dumplings and vegetables.
- Unit to have infared heating system positioned beneath the base of the well.
- Water basin in 316-L type Stainless steel.
- Water basin is seamlessly welded into the top of the appliance.
- Provided with integrated drip zone on which baskets can be placed for draining purposes.
- Automatic starch removal function during cooking: improved water quality over time.
- Automatic low-water level shut-off: no accidental over-heating.
- Easy-to-use control panel.
- Continuous water filling regulated through a manual water tap.
- Large drain with manual ball-valve for fast emptying of well.
- All major compartments located in front of unit for ease of maintenance.
- IPX5 water resistance certification.
- The special design of the control knob system guarantees against water infiltration.
- One piece pressed 0.07" (2mm) work top in Stainless Steel.
- Unit delivered with four 2" (50mm) legs in stainless steel as standard (all round Stainless steel kick plates as option).
- 10.5gal (40lt) water basins.

Construction

- All exterior panels in Stainless Steel with Scotch Brite finishing.
- Model has right-angled side edges to allow flush fitting joints between units, eliminating gaps and possible dirt traps.

Included Accessories

- 2 of Door for open base cupboard PNC 206350

Optional Accessories

- Junction sealing kit PNC 206086
- Kit 4 wheels - 2 swivelling with brake - it is mandatory to install base support and wheels PNC 206135
- Flanged feet kit PNC 206136
- Frontal kicking strip for concrete installation 800 mm PNC 206148
- Frontal kicking strip for concrete installation, 39 3/8" wide PNC 206150
- Frontal kicking strip for concrete installation, 47 1/4" wide PNC 206151
- Frontal kicking strip for concrete installation, 63" wide PNC 206152
- 2 side kicking strips for concrete installation PNC 206157



APPROVAL: _____

Electrolux Professional, Inc.

www.electroluxusa.com/professional

10200 David Taylor Drive, Charlotte, NC 28262 • Telephone Number: 866-449-4200 • Fax Number: 704-547-7401



Electrolux

Modular Cooking Range Line
Pasta Cooker, electric, 10.5gal (2 wells)



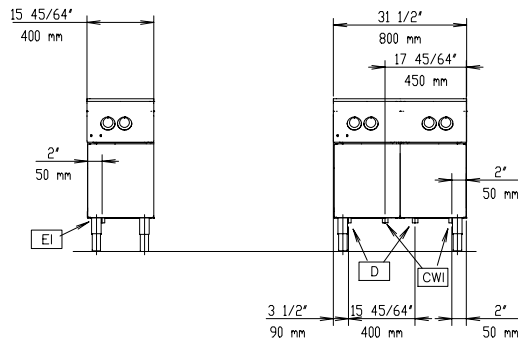
Electrolux

**Modular Cooking Range Line
Pasta Cooker, electric, 10.5gal
(2 wells)**

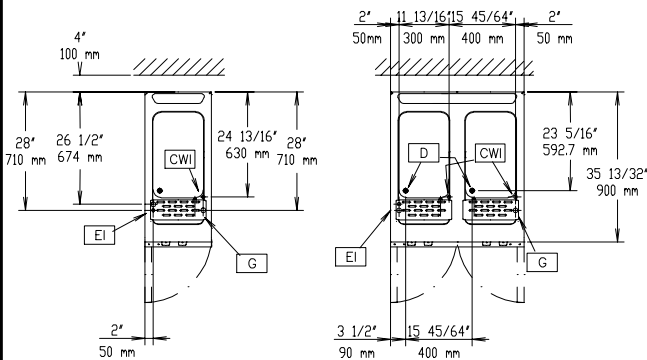
- Frontal kicking strip, 31 1/2" wide PNC 206176 ☐
- Frontal kicking strip, 39 3/8" wide PNC 206177 ☐
- Frontal kicking strip, 47 1/4" wide PNC 206178 ☐
- Frontal kicking strip, 63" wide PNC 206179 ☐
- 2 side kicking strips PNC 206180 ☐
- 2 panels for service duct for single installation PNC 206181 ☐
- Lid and lid holder for 10.5 gallon (40 Lt) pasta cooker PNC 206190 ☐
- 2 panels for service duct for back to back installation PNC 206202 ☐
- 4 feet for concrete installation PNC 206210 ☐
- Set of three ergonomic baskets for 10.5 gallon (40 Lt) pasta cooker. To be used with support PNC 206238 PNC 206233 ☐
- Single ergonomic basket for 10.5 gallon (40 Lt) pasta cooker. To be used with support PNC 206238 PNC 206237 ☐
- Support for 10.5 gallon (40 Lt) pasta cooker square baskets PNC 206238 ☐
- Chimney upstand, 800mm PNC 206304 ☐
- - NOT TRANSLATED - PNC 206308 ☐
- - NOT TRANSLATED - PNC 206309 ☐
- Energy saving device for pasta cookers PNC 206344 ☐
- Door for open base cupboard PNC 206350 ☐
- - NOT TRANSLATED - PNC 206353 ☐
- Base Support Assembly, 48" (1200mm) wide, for feet/wheels PNC 206368 ☐
- Base Support Assembly, 64" (1600mm) wide, for feet/wheels PNC 206369 ☐
- Base Support Assembly, 80" (2000mm) wide, for feet/wheels PNC 206370 ☐
- Base support for feet or wheels (lateral) for pastacookers (900XP) PNC 206372 ☐
- Rear paneling - 800mm PNC 206374 ☐
- Rear paneling - 1000mm PNC 206375 ☐
- Rear paneling - 1200mm PNC 206376 ☐
- - NOT TRANSLATED - PNC 206395 ☐
- CHIMNEY GRID NET, 400MM-700&900LINE PNC 206400 ☐
- 2 square baskets, left and right, for 10.5 gallon pasta cooker. 6 baskets can be fitted in 900 pasta cooker. To be used with support PNC 206238 PNC 206433 ☐
- Side handrail-right/left hand PNC 216044 ☐
- FRONTAL HANDRAIL 800 MM PNC 216047 ☐
- FRONTAL HANDRAIL 1200 MM PNC 216049 ☐
- FRONTAL HANDRAIL 1600 MM PNC 216050 ☐
- 2 side covering panels for free standing appliances PNC 216134 ☐
- Large handrail - portioning shelf, W=31 1/2" PNC 216186 ☐
- Set of three baskets (11" x 6") for 10.5 gallon (40 Lt) pasta cooker PNC 927210 ☐
- Pair of baskets (11" x 9") for 10.5 gallon (40 Lt) pasta cooker PNC 927211 ☐
- Set of three portion baskets for 10.5 gallon (40 Lt) pasta cooker - round (requires support for baskets PNC 927219) PNC 927212 ☐
- Set of six single-portion baskets for 10.5 gallon (40 Lt) pasta cooker - round - requires support rack (PNC 927219 or 960644) PNC 927213 ☐
- Basket (11" x 18") for 10.5 gallon (40 Lt) pasta cooker PNC 927216 ☐
- Support for 10.5 gallon (40 Lt) pasta cooker round basket PNC 927219 ☐
- Top support for set of six pasta cooker round baskets. An alternative to 927219 when set of six round baskets used PNC 960644 ☐

Modular Cooking Range Line Pasta Cooker, electric, 10.5gal (2 wells)

Front

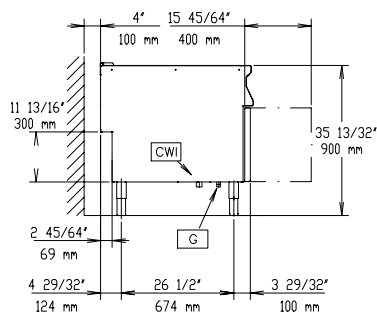


Top



- D** = Drain
- EI** = Electrical connection
- EQ** = Equipotential screw
- WI** = Water inlet

Side



Electric

Supply voltage:

391204 (E9PCEH2MF2) 208 V/3 ph/50/60 Hz

Electrical power, max:

20 kW

Total Watts:

20 kW

Water:

Drain "D": 1"

Incoming Cold/hot Water line size: 3/4"

Total hardness: 5-50 ppm

Electrolux recommends the use of treated water, based on testing of specific water conditions.

Please refer to user manual for detailed water quality information.

Key Information:

Well Capacity (MAX): 10.57 gal (40 litres) MAX

External dimensions, Width: 31 1/2" (800 mm)

External dimensions, Depth: 35 7/16" (900 mm)

External dimensions, Height: 33 7/16" (850 mm)

Net weight: 254 lbs (115 kg)

Shipping width: 40 3/16" (1020 mm)

Shipping depth: 33 7/8" (860 mm)

Shipping height: 44 1/16" (1120 mm)

Shipping weight: 309 lbs (140 kg)

Shipping volume: 34.69 ft³ (0.98 m³)

If appliance is set up or next to or against temperature sensitive furniture or similar, a safety gap of approximately 150 mm should be maintained or some form of heat insulation fitted.