



Profit from the Eagle Advantage®

Specification Sheet

Short Form Specifications

Eagle Sealed Well Hot Food Gang Drop-In Unit, model _____ . Heavy gauge type 300 series stainless steel top, with galvanized steel body lined with 2" fiberglass insulation. Heated wells are deep drawn one-piece type 304, 18-8 stainless steel with heating element securely clamped to underside. All units feature individual thermostat controls with a positive "OFF" position, and an amber power-on light. Controls are recessed into control panel. Units with drains are connected by 3/4"-diameter copper pipe fittings to a single ball valve.



6-well unit

Options / Accessories

- Drain
- Rolltop cover
- Food pans/insets
- Top adapters
- AutoFill® water system

EAGLE GROUP

100 Industrial Boulevard, Clayton, DE 19938-8903 USA
 Phone: 302-653-3000 • 800-441-8440 • Fax: 302-653-2065
www.eaglegrp.com
www.eaglegrpnews.com
[www.eaglegrpnews.com](http://www.eaglegrp.com)
www.eaglegrp.com

For custom configuration or fabrication needs, contact our **SpecFAB® Division**.
 Phone: 302-653-3000 • Fax: 302-653-2065 • e-mail: quotes@eaglegrp.com

Item No.:	_____
Project No.:	_____
S.I.S. No.:	_____

Sealed Well Hot Food Gang Drop-In Units

MODELS:

- | | | |
|-----------------------------------|-----------------------------------|-----------------------------------|
| <input type="checkbox"/> SGDI-1-* | <input type="checkbox"/> SGDI-3-* | <input type="checkbox"/> SGDI-5-* |
| <input type="checkbox"/> SGDI-2-* | <input type="checkbox"/> SGDI-4-* | <input type="checkbox"/> SGDI-6-* |

* See chart on back page for full model numbers.

Top and Body

- Heavy gauge 300 series stainless steel top.
- Body is enclosed with galvanized steel and lined by 2" (51mm) fiberglass thermal wool insulation.
- Openings measure 12³/₃₂" x 20³/₃₂" (307 x 510mm).
- Units ordered with drains are connected by 3/4" (19mm) diameter copper pipe and fittings to a single ball valve. Units with multiple wells are designed so the valve can be mounted to the operator's left or right with the drain closest to the operator. Valve is shipped loose, to be field installed.

Heat Compartments

- Constructed of one-piece deep-drawn 304 series 18-8 stainless steel.
- Tubular heating element securely clamped to underside, allowing for service through bottom,
- Coved corners.

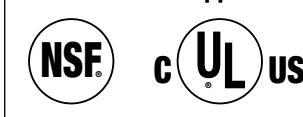
Controls

- All units feature individual thermostatic control with a positive "Off" position, and have an amber light to signal a power-on condition.
- Control knobs are recessed into a one-piece, front-mounted control panel.

Electrical

- Flexible conduit connecting the body enclosure and control panel is 24" (610mm) on all models—except one-well units, which have a 36" (914mm) flexible conduit.
- 240V units shown as "240T6" (example: SGDI-1-240T6) may be operated at 208V, reducing available amperage and wattage by 25%.
- All wiring terminates in a junction box.
- All units are single phase and can be easily converted to three-phase operation in the field—except on one-compartment units.
- ALL UNITS ARE DESIGNED FOR FIELD WIRING.

Certifications / Approvals



AutoQuotes



EG35.12 Rev. 12/22

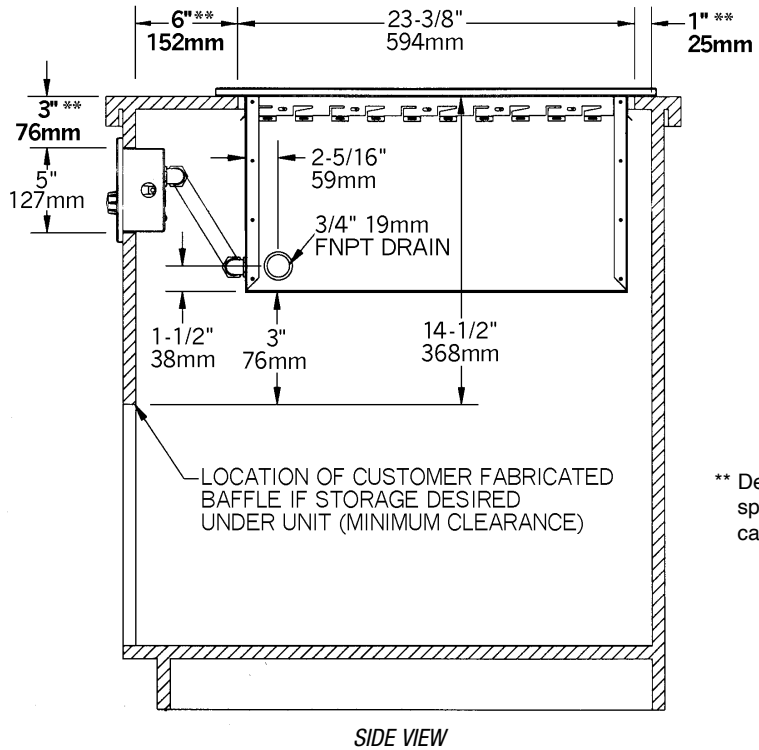
Spec sheets available for viewing, printing or downloading from our online literature library at our websites

Eagle Foodservice Equipment, Eagle MHC, and SpecFAB® are divisions of Eagle Group. ©2022 by the Eagle Group



Item No.: _____
 Project No.: _____
 S.I.S. No.: _____

Sealed Well Hot Food Gang Drop-In Units



** Denotes minimum installation spacing from cutouts to vertical cabinet walls per UL listing.

no. of wells	width x depth		weight		cutout dimensions* for control panels		cutout dimensions for drop-in unit		electrical data **	...WITHOUT DRAIN	...WITH*** DRAIN
	in.	mm	lbs.	kg	in.	mm	in.	mm		model #	model #
1	18" x 26"	457 x 660	21	9.5	5" x 8"	127 x 203	16 5/8" x 23 3/8"	416 x 594	120V, 1200W, 10.0A 240V, 1200W, 5.0A 240V, 1600W, 6.7A	SGDI-1-120T SGDI-1-240T SGDI-1-240T6	SGDI-1-120T-D SGDI-1-240T-D SGDI-1-240T6-D
2	32" x 26"	813 x 660	51	23.1	5" x 17"	127 x 432	30 3/8" x 23 3/8"	772 x 594	120V, 2400W, 20.0A 240V, 2400W, 10.0A 240V, 3200W, 13.3A	SGDI-2-120T SGDI-2-240T SGDI-2-240T6	SGDI-2-120T-D* SGDI-2-240T-D* SGDI-2-240T6-D*
3	46" x 26"	1168 x 660	71	32.2	5" x 17"	127 x 432	44 3/8" x 23 3/8"	1127 x 594	120V, 3600W, 30.0A 240V, 3600W, 15.0A 240V, 4800W, 20.0A	SGDI-3-120T SGDI-3-240T SGDI-3-240T6	SGDI-3-120T-D* SGDI-3-240T-D* SGDI-3-240T6-D*
4	60" x 26"	1524 x 660	91	42.3	5" x 33 1/8"	127 x 860	57 7/8" x 23 3/8"	1470 x 594	240V, 4800W, 20.0A 240V, 6400W, 26.7A	SGDI-4-240T SGDI-4-240T6	SGDI-4-240T-D SGDI-4-240T6-D
5	74" x 26"	1880 x 660	111	50.4	5" x 33 1/8"	127 x 860	71 3/8" x 23 3/8"	1813 x 594	240V, 6000W, 25.0A 240V, 8000W, 33.4A	SGDI-5-240T SGDI-5-240T6	SGDI-5-240T-D SGDI-5-240T6-D
6	86 1/2" x 26"	2197 x 660	131	59.4	5" x 33 1/8"	127 x 860	85 3/8" x 23 3/8"	2169 x 594	240V, 7200W, 30.0A 240V, 9600W, 40.0A	SGDI-6-240T SGDI-6-240T6	SGDI-6-240T-D SGDI-6-240T6-D

* For applicable 2- and 3-well units (noted in chart) with optional AutoFill® system installed, cutout dimensions for control panel are 5" x 23 3/8" (127 x 600mm). AutoFill® is not available for 1-well units. For applicable 4-, 5-, and 6-well units, cutout dimensions for control panel remain as listed in chart.
 ** Total watts and total amperage indicated in electrical data.
 *** Plumbing available only on units with drains.

EAGLE GROUP
 100 Industrial Boulevard, Clayton, DE 19938-8903 USA
 Phone: 302-653-3000 or 800-441-8440 • Fax: 302-653-2065
 www.eaglegrp.com • www.eaglegrpnews.com • www.eaglehmc.com

Printed in U.S.A.
 ©2022 by Eagle Group
 Rev. 12/22

Spec sheets available for viewing, printing or downloading from our online literature library at our websites

Although every attempt has been made to ensure the accuracy of the information provided, we cannot be held responsible for typographical or printing errors. Information and specifications are subject to change without notice. Please confirm at time of order.