

HOBART701 S Ridge Avenue, Troy, OH 45374
1-888-4HOBART • www.hobartcorp.com**WATER TREATMENT SYSTEMS
STEAMER/COMBI (FLASH TYPE)
APPLICATIONS****HOBART****WATER TREATMENT SYSTEMS STEAMER/COMBI (FLASH TYPE) APPLICATIONS****STANDARD FEATURES**

- Single cartridge hollow carbon filter system includes mounting bracket, 3/4" NPTF inlet and outlet, shut-off valve, test port, and gauge.
- Reduce Chloramine, Chlorine, Sediment, Bad Tastes and Odors, Total Organic Compounds, Tannins and Trihalomethanes
- Modular design is adaptable to accommodate changing water conditions
- Simple to install and service
- FOR COLD WATER USE ONLY
 - Min./Max. Pressure: 40 – 125 psi
 - Min./Max. Temperature: 40° – 100° F
 - CB15K-SYSTEM (00-847487-00001)
 - Rated Capacity (Gallons)*: 15,000
 - Flow Rate: 3.7 gpm
 - Shipping Weight: 18 Lbs.
 - CB30K-SYSTEM (00-847487-00002)
 - Rated Capacity (Gallons)*: 30,000
 - Flow Rate: 5 gpm
 - Shipping Weight: 20 Lbs.
- Quick-Change cartridge design for replacement without tools
- Replacement Cartridge Filters:
 - CB15K-PMKIT - 15,000 Gallon Rated Capacity (00-847487-1PMK)
 - CB30K-PMKIT - 30,000 Gallon Rated Capacity (00-847487-2PMK)
- Exterior dimensions:
 - CB15K-SYSTEM 14" w x 9" d x 23⁷/₈"
 - CB30K-SYSTEM 14" w x 9" d x 28⁷/₈"

MODELS

- CB15K-SYSTEM
- CB30K-SYSTEM

Specifications, Details and Dimensions on Reverse Side.



* Independently tested by an E.P.A. approved laboratory to ANSI/NSF Standard 42 & 53 specifications for the reduction of Cyst, Particulate Class I, Chlorine, Chloramine, Taste and Odor.



WATER TREATMENT SYSTEMS STEAMER/COMBI (FLASH TYPE) APPLICATIONS



701 S Ridge Avenue, Troy, OH 45374
1-888-4HOBART • www.hobartcorp.com

NOTICE:

- Failure to replace cartridge before end of capacity life can result in pitting, rusting and discoloration due to Chloramines and Chlorine in water supply.
- Routine filter replacement & deliming are required for warranty consideration.
- This filter does not remove scale build-up due to hardness or other contaminants that may be in water.
- Hardness will result in scale build-up. Deliming is required to remove scale build-up or use of an additional treatment such as a water softener is recommended.
- Gallon capacity will vary according to flow rate, inlet pressure and local water conditions.
- Replace cartridge if outlet pressure gauge is less than 20 psi. or before end of capacity life (Maximum cartridge operating life 1 year.)

Water Quality Statement

The fact that a water supply is potable is no guarantee that it is suitable for steam generation. Systems are not to be used where water is microbiologically unsafe or with water of unknown quality without adequate disinfections before

and after use. Other factors affecting steam generation include iron content, amount & type of chlorination, and dissolved gasses. Water supplies vary from state to state and from locations within a state.

As with all steam related products, water filtration and regular filter replacements coupled with routine Deliming are required. Your local Hobart office can recommend a water treatment or filtration system to meet the needs of your local water conditions. Contact your local Hobart representative for water treatment offerings.

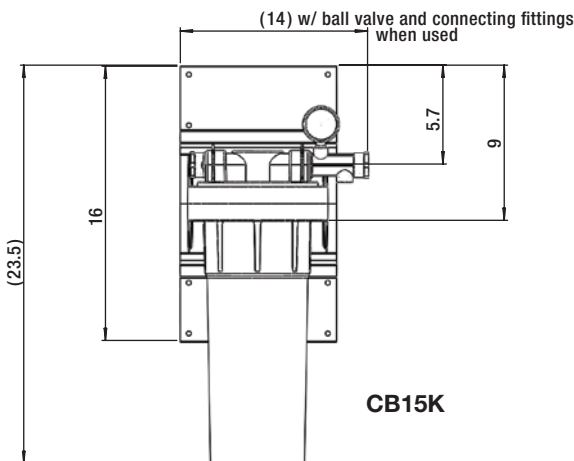
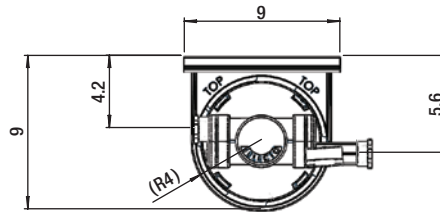
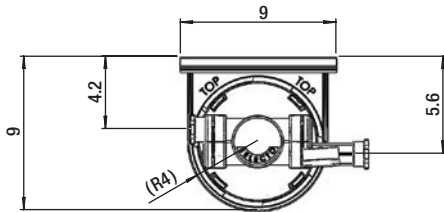
Note:

- Installation of backflow preventers, vacuum breakers and other specific code requirements is the responsibility of the owner and installer in compliance with local codes.

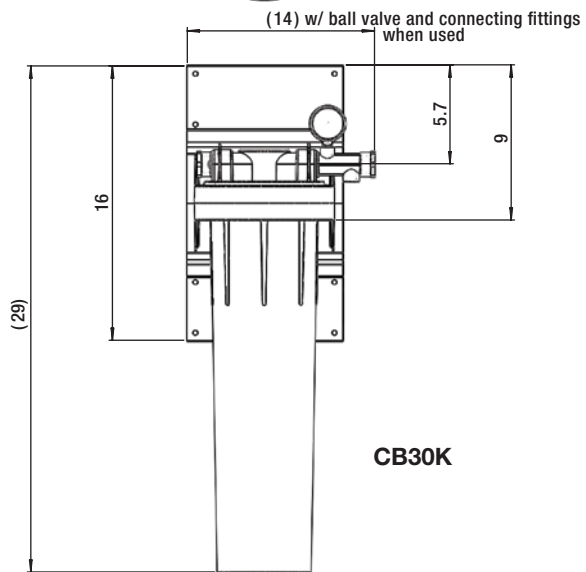
Recommended filter clearance needed for access:

Front 13"
Bottom 4"

This appliance is manufactured for commercial installation only and not intended for home use.



CB15K



CB30K

EXTERIOR DIMENSIONS:

MODEL	WIDTH	DEPTH	HEIGHT
CB15K-SYSTEM	14"	9"	23 ⁵ / ₈
CB30K-SYSTEM	14"	9"	28 ⁵ / ₈

As continued product improvement is a policy of Hobart, specifications are subject to change without notice.