



DANTE SERIES LOW-PROFILE COUNTERTOP CHARBROILERS

SERIES: L-RS



Bakers Pride® L-RS series charbroilers feature a low-profile design and 15,000 BTU burners for energy efficiency and broiling performance. Models come in a range of sizes from 24" to 72" wide.

A continuously lit, cross-over pilot tube system makes lighting burners a breeze. Stainless steel radiants come standard, as do steel floating rod grates, which may be adjusted in two separate tilting positions for increased flexibility and temperature control. Fully insulated, double walls help with heat retention, while stainless steel interiors and exteriors make these charbroilers both durable and easy to clean.

This series also offers many options to suit your needs, such as Glo-Stones for enhanced flavor and work decks for added convenience.

FEATURES AT A GLANCE

- L-RS Radiant - V-shaped radiant for each burner
- L-RS Glo-Stones - Ceramic coal screen
- Natural gas or liquid propane
- Steel floating rod grates (standard) or cast-iron or meat grates
- Continuously lit crossover pilot tube
- Double-walled, fully insulated construction
- Stainless steel exterior, interior, and combustion chamber
- Stainless steel radiants
- 3/4" NPT rear gas connection
- Towel bar
- Standard 6" (152 mm) stainless steel work deck
- One-year limited warranty

OPTIONS & ACCESSORIES

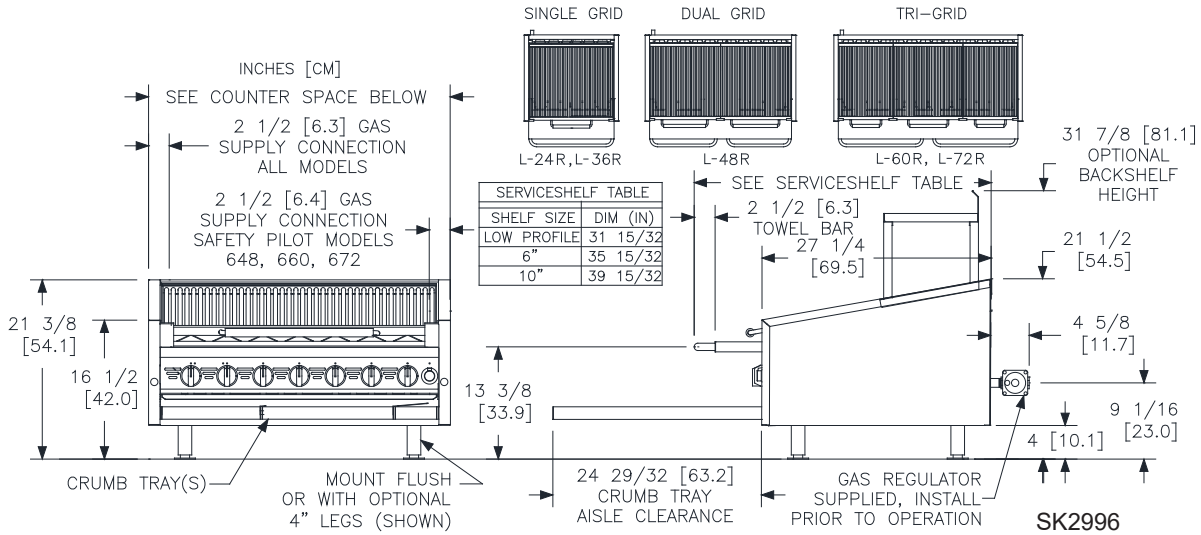
- Cast-iron radiants
- Glo-Stones
- Gas connector hose
- Stainless steel splash guard
- Overhead back shelves
- Stainless steel equipment stand with casters
- 10" work deck (Required for cut outs)
- High output burners



DANTE SERIES LOW-PROFILE COUNTERTOP CHARBROILERS

SERIES: L-RS

EQUIPMENT DIMENSIONS



MECHANICAL SPECIFICATIONS

Model No.	BTU STANDARD/HIGH OUTPUT	KW STANDARD/HIGH OUTPUT	# Grids	# Burners	Broiling Area in ² (cm ²)	Counter Space (W x D)	Cubic Feet	Ship Wt.
L-24RS	60,000/ 80,000	17.6/ 23.4	1	4	513 in ² (3,314 cm ²)	24" x 35.5" (610mm x 902mm)	21.6 ft ³ (0.6m ³)	421 lbs. (190.9kg)
L-36RS	105,000/ 140,000	30.8/ 41.0	1	7	810 in ² (5,233 cm ²)	36" x 35.5" (915mm x 902mm)	21.6 ft ³ (0.6m ³)	585 lbs. (265.4kg)
L-48RS	150,000/ 200,000	44.0/ 58.6	2	10	1,107 in ² (7,145 cm ²)	48" x 35.5" (1,219mm x 902mm)	35.9 ft ³ (1.0m ³)	668 lbs. (303kg)
L-60RS	195,000/ 260,000	57.2/ 76.2	3	13	1,404 in ² (9,063 cm ²)	60" x 35.5" (1,524mm x 902mm)	35.9 ft ³ (1.0m ³)	910 lbs. (412.8kg)
L-72RS	240,000/ 320,000	70.0/ 94.1	3	16	1,704 in ² (11,001 cm ²)	72" x 35.5" (1,829mm x 902mm)	43.1 ft ³ (1.2m ³)	1,050 lbs. (476.3kg)

*Height includes 4" adjustable (102 mm) legs.

REQUIRED CLEARANCES

	Non-Combustible
Left	0" (0 mm)
Right	0" (0 mm)
Back	0" (0 mm)

GAS CONNECTIONS

Natural or LP gas
3/4" NPT on Standard Units
1/2" NPT on Safety Pilot Units

Bakers Pride reserves the right to modify specifications or discontinue models without incurring obligation. Dimensions nominal.



Freight Class: 70
FOB: Smithville 37166

