



T&S BRASS AND BRONZE WORKS, INC.
 2 SADDLEBACK COVE / P.O. BOX 1088 / TRAVELERS REST, SC 29690
 PHONE 800-476-4103 - FAX 864- 834-3518



Model No.

MV-2522-31

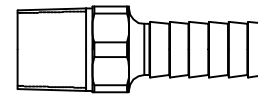
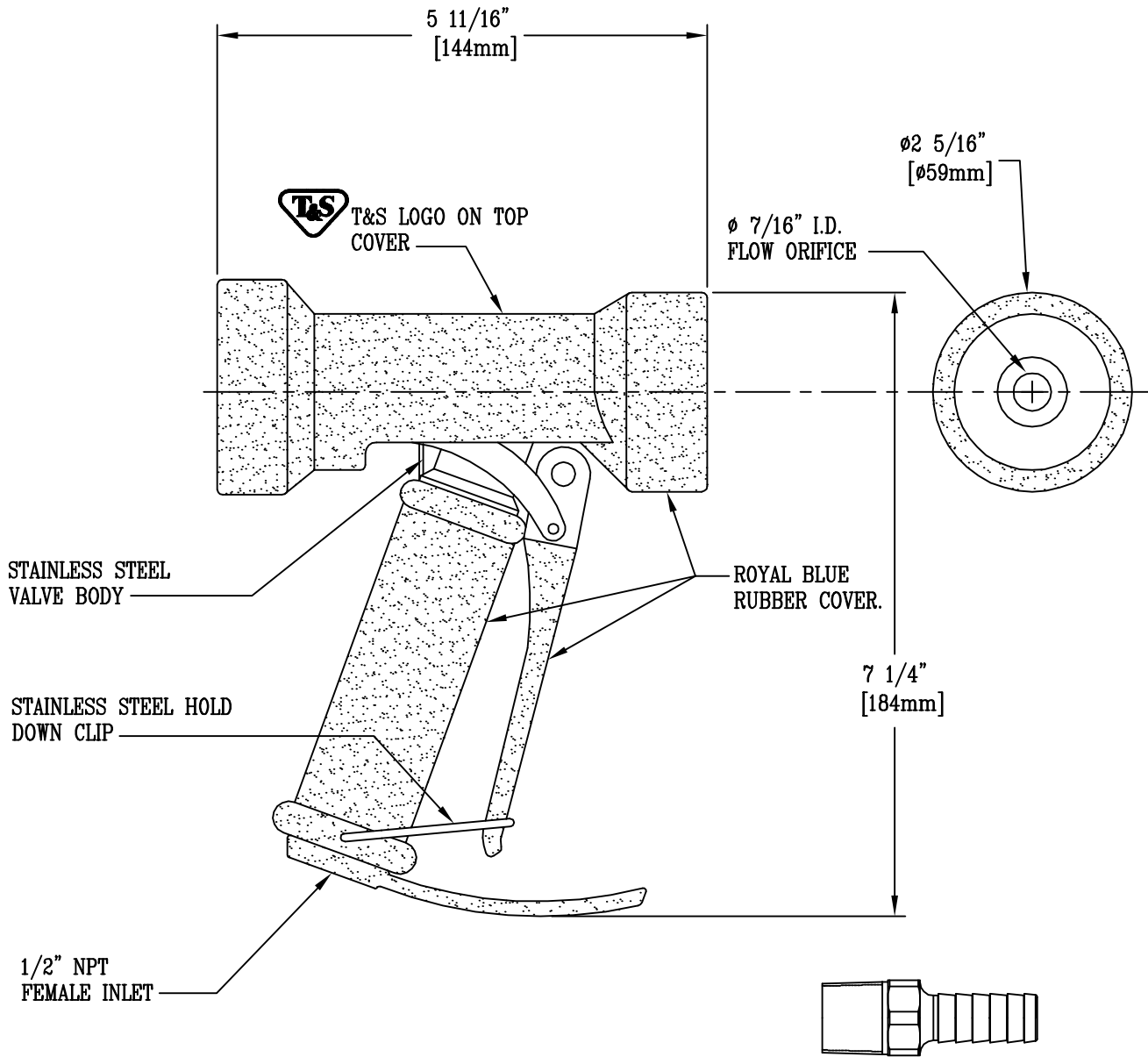
**RELIABILITY
 BUILT IN**

REG.#A2601
 ISO #9001

Job Name:

Architect/Engineer Approval:

Notes:



1/2" NPT x 1/2" HOSE BARB CONNECTOR

Product Description:
 STAINLESS STEEL WATER GUN, FRONT TRIGGER,
 7/16" FLOW ORIFICE, RUBBER COVER
 WITH 1/2" NPT x 1/2" HOSE BARB CONNECTOR

Drawn:

LEL

Checked

JKD

Scale:

1 : 2

Approved

MVW

Date:

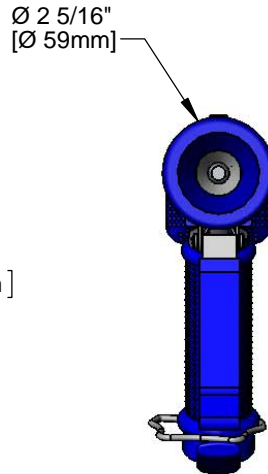
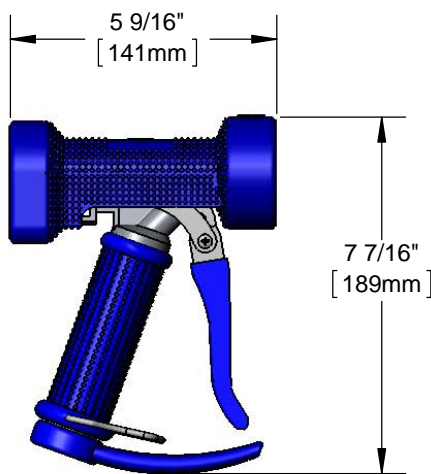
12/12/02



Architect/Engineering Specifications:

Heavy duty front trigger water gun, stainless steel with blue rubber cover, Ø 7/16" flow orifice and 1/2" NPT x 1/2" hose barb connector.

Job Name _____
Model Specified _____ Quantity _____
Variations Specified _____
Date _____



Features & Benefits:

- Heavy duty front trigger water gun
- Stainless steel with blue rubber cover
- 12.10 GPM water gun
- Rubber covered trigger guard
- Ø 7/16" flow orifice
- 1/2" NPT x 1/2" hose barb connector
- Material: Stainless steel and rubber

Product Compliance:

- NSF 61 Exempt (Non-Potable)

Warranty: One Year (Limited)

Performance Data:

- Pressure: 20 - 125 psi
- Temperature: 40 °F - 200 °F
- Flow Rate: 12.10 GPM @ 60 psi

