

- **P43941R** 50-3/4"L x 41-7/8"D x 39-3/8"H
- **P63941R** 75-1/8"L x 41-7/8"D x 39-3/8"H
- **P83941R** 99-1/2"L x 41-7/8"D x 39-3/8"H

Included

- Black rear exterior
- Compressor air rear intake, front discharge. Toe kick cannot be blocked
- Digital fahrenheit thermometer
- Integrated average product temperature of 40°F or less
- One year parts & labor; 5 year compressor warranty
- Open reach-in front

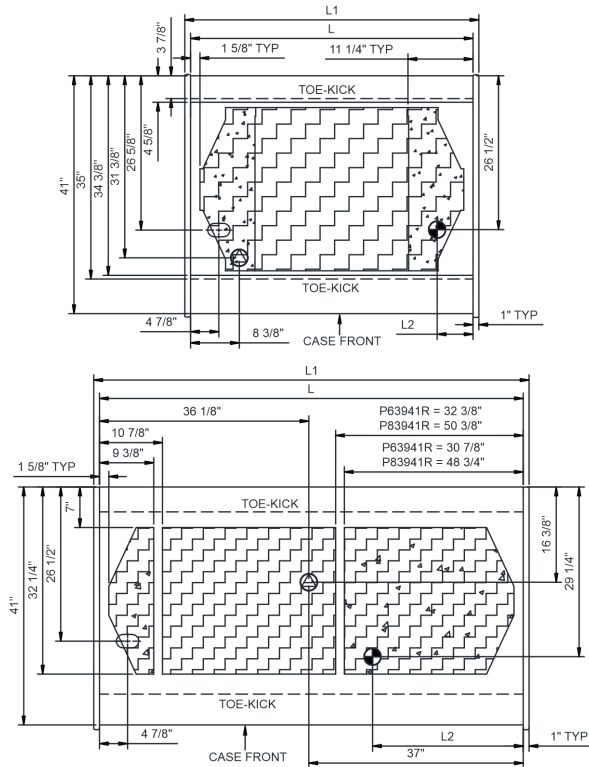


P43941R

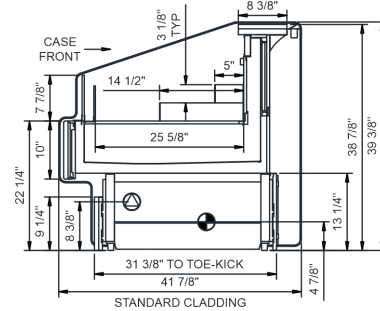
Specify	Standard Features	Additional Options
EXTERIOR COLOR	• Laminate (stock colors)	• Laminate (non-stock colors) • Powder coated (stock colors, specify RAL#) • Stainless steel
INTERIOR COLOR	• Powder coated Silversan Black	• Stainless steel
BASE	• Casters w/ levelers (self-cont.)	• Rail system for shims (remote)
BUMPER END	• None	• Bumper on end (matches front bumper) (1 row)
BUMPER FRONT	• None	• 1" Boston bumper (specify color)
END PANELS	• Full w/stainless steel mirror interior	• None (synchronized defrost required)
RISERS	• None	• 3"H Full depth display risers
ELECTRICAL CONNECTION	• 6' Straight blade power cord (self-cont.)	• Electrical leads (remote)
REFRIGERATION	• Breeze self-contained refrigeration	• Note: Remote doesn't incl Conds unit. Floor drain reqd. • Remote DX ref w/ standard coil
SENSOR	• None	• CPC discharge air sensor (remote)
MISCELLANEOUS		• Second year parts & labor warranty (excludes compressor)

Intended Environment: Type I - Designed to operate in ambient conditions of 75°F with 55% relative humidity unless noted otherwise in system information below.		
Zone	Intended Product To Be Displayed	Warmest Avg Prod Temp ° F
1	Packaged refrigerated products	40

PLAN VIEW



SIDE VIEW



NOTE: ALL DIMENSIONS APPROXIMATE

-  **ELECTRICAL JUNCTION BOX**
(SUPPLIED WITH 6" LEADS OR POWER CORD).
-  **REFRIGERATION LINE CONNECTION.**
-  **SELF-CONTAINED CASE SERVICE ACCESS AREA.**
-  **LOCATION OF DRAIN TUBE FOR REMOTE REF.**
ONLY (SUPPLIED WITH 3/4" OR 1 1/2" PVC TUBE).
-  **REMOTE FLOOR SINK & UTILITIES ACCESS AREA.**
-  **DRY CASE SERVICE ACCESS AREA.**

Model Technical Specifications

Model	L"	L1"	L2"	System Circuit Volts		Phs	Freq	Amps ***	Watts	Wires	NEMA Plug	SST	Conv. Rack BTUH	Para. Rack BTUH	Est Wt	
				Remote (DX)	Self-Contained (R513A)											
P43941R	48.75	50.75	6.25	Remote (DX)	Circuit #1	110-120	1	60	0.49	43	2+G	Leads Multiple	20.00	1949	1805	N/A
				Self-Contained (R513A)	Circuit #1	110-120	1	60	8.86	743	2+G	5-15P or L5-15P	N/A	N/A	N/A	N/A
P63941R	73.13	75.13	26.00	Remote (DX)	Circuit #1	110-120	1	60	0.91	77	2+G	Leads Multiple	20.00	2873	2660	N/A
				Remote (GLYCOL 35%)	Circuit #1	110-120	1	60	0.86	60	2+G	Leads Multiple	20.00	2873	2660	N/A
				Self-Contained (R513A)	Circuit #1	110-120	1	60	16.00	1,205	2+G	5-20P	N/A	N/A	N/A	N/A
P83941R	97.50	99.50	4.63	Remote (DX)	Circuit #1	110-120	1	60	0.98	86	2+G	Leads Multiple	20.00	3847	3562	N/A
				Self-Contained (R513A)	Circuit #1	110-120	1	60	15.52	1,215	2+G	5-20P	N/A	N/A	N/A	N/A

*** Does not include electric defrost on freezer models.

Regulatory Approvals:

All Models	Accordance with AHRI Std 1200 ETL Listed to UL 471 ETL Listed to CAN/CSA 22.2 No. 120 ETL Sanitation to NSF/ANSI 7
------------	---



Important Notes:

- 1) ELECTRICAL NOTE: If GFCI is required, a GFCI breaker MUST be used in lieu of a GFCI receptacle.
- 2) 44" Minimum door entry clearance required (Without shipping skid).
- 3) Remote units must be shimmed during installation to ensure the unit is level and plumb.

⚠ WARNING: This product can expose you to chemicals, including Urethane (Ethyl Carbamate), which are known to the State of California to cause cancer and birth defects or other reproductive harm. For more information go to www.P65Warnings.ca.gov.