



T&S BRASS AND BRONZE WORKS, INC.
 2 Saddleback Cove / P.O. Box 1088
 Travelers Rest, SC 29690

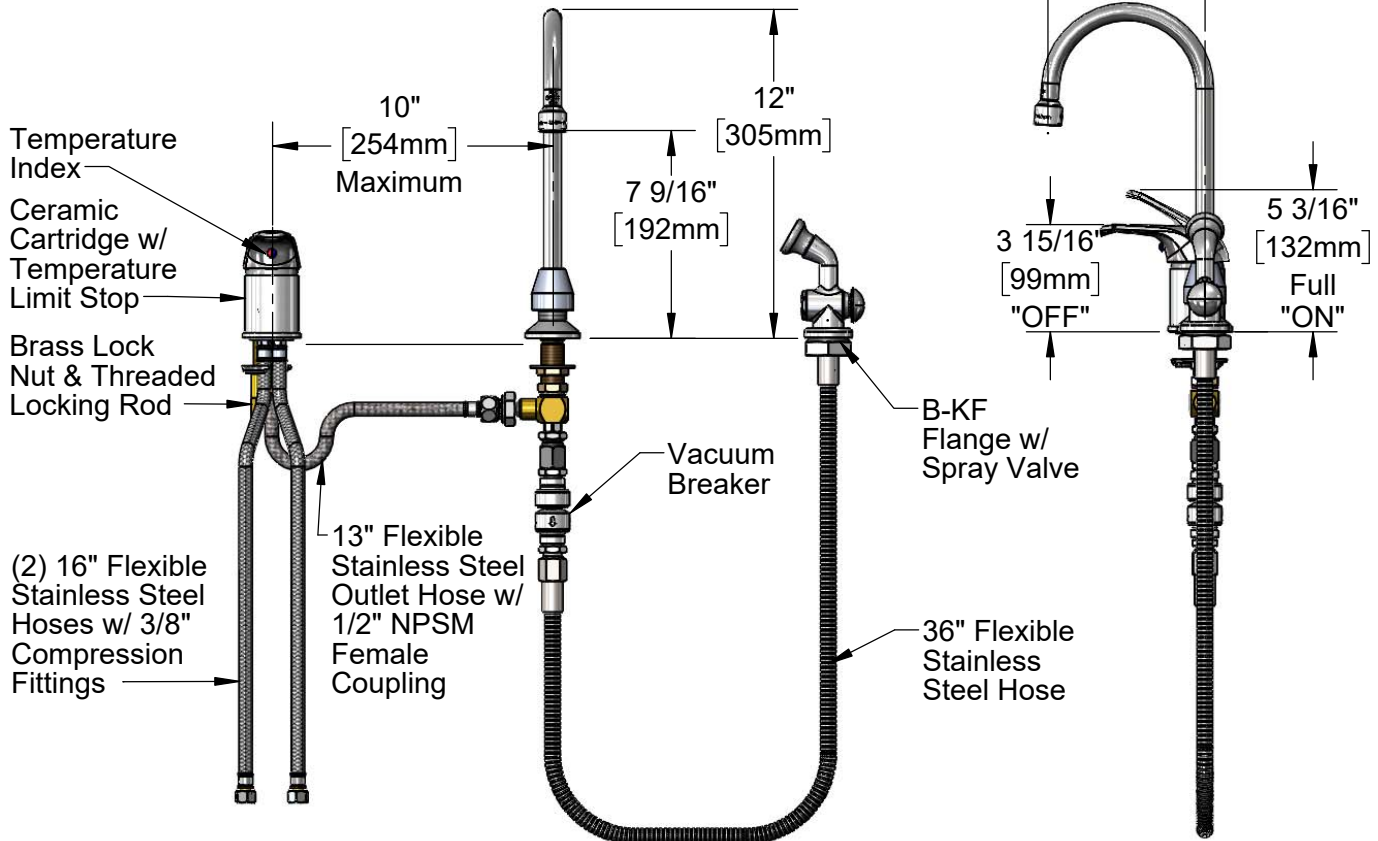
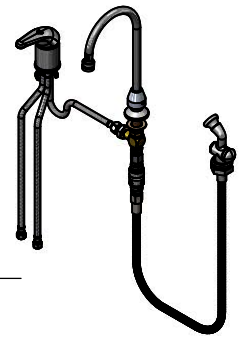
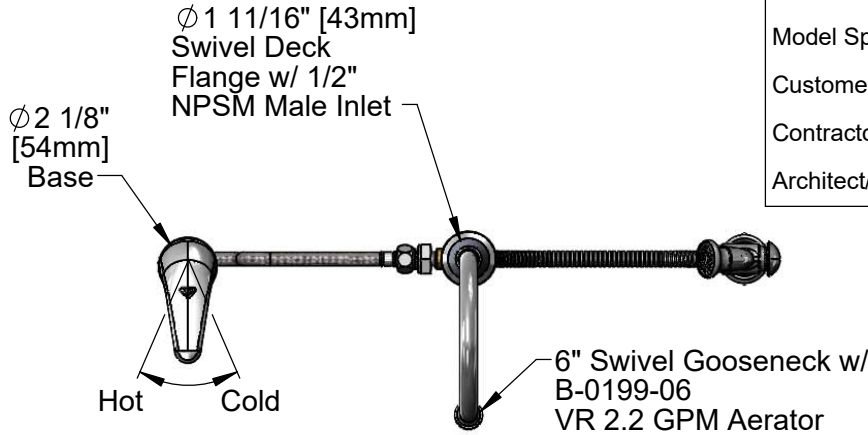
Model No.
B-2749

Item No.

Travelers Rest, SC: 800-476-4103 • Simi Valley, CA: 800-423-0150 • Fax: 864-834-3518 • www.tsbrass.com

This Space for Architect/Engineer Approval

Job Name _____ Date _____
 Model Specified _____ Quantity _____
 Customer/Wholesaler _____
 Contractor _____
 Architect/Engineer _____



Rough-In Requirement:
 Side Mount: $\phi 1 \frac{1}{2}$ " [38mm] Mounting Hole
 Swivel Deck Flange & Sidespray: $\phi 1$ " [25mm] Mounting Hole

Product Specifications:
 Single Lever Side Mount Faucet, Ceramic Cartridge, Remote On/Off Control Base, Swivel Gooseneck, Vandal Resistant 2.2 GPM Aerator, (2) 16" Flexible Stainless Steel Supply Hoses, 36" Flexible Stainless Steel Hose, Vacuum Breaker & Spray Valve w/ 2.2 GPM Rosespray Outlet

Product Compliance:
 ASME A112.18.1 / CSA B125.1
 NSF 61 - Section 9
 NSF 372 (Low Lead Content)
 2019 DOE PRSV Non-Compliant
 CSA B64.8 (VB)



T&S BRASS AND BRONZE WORKS, INC.

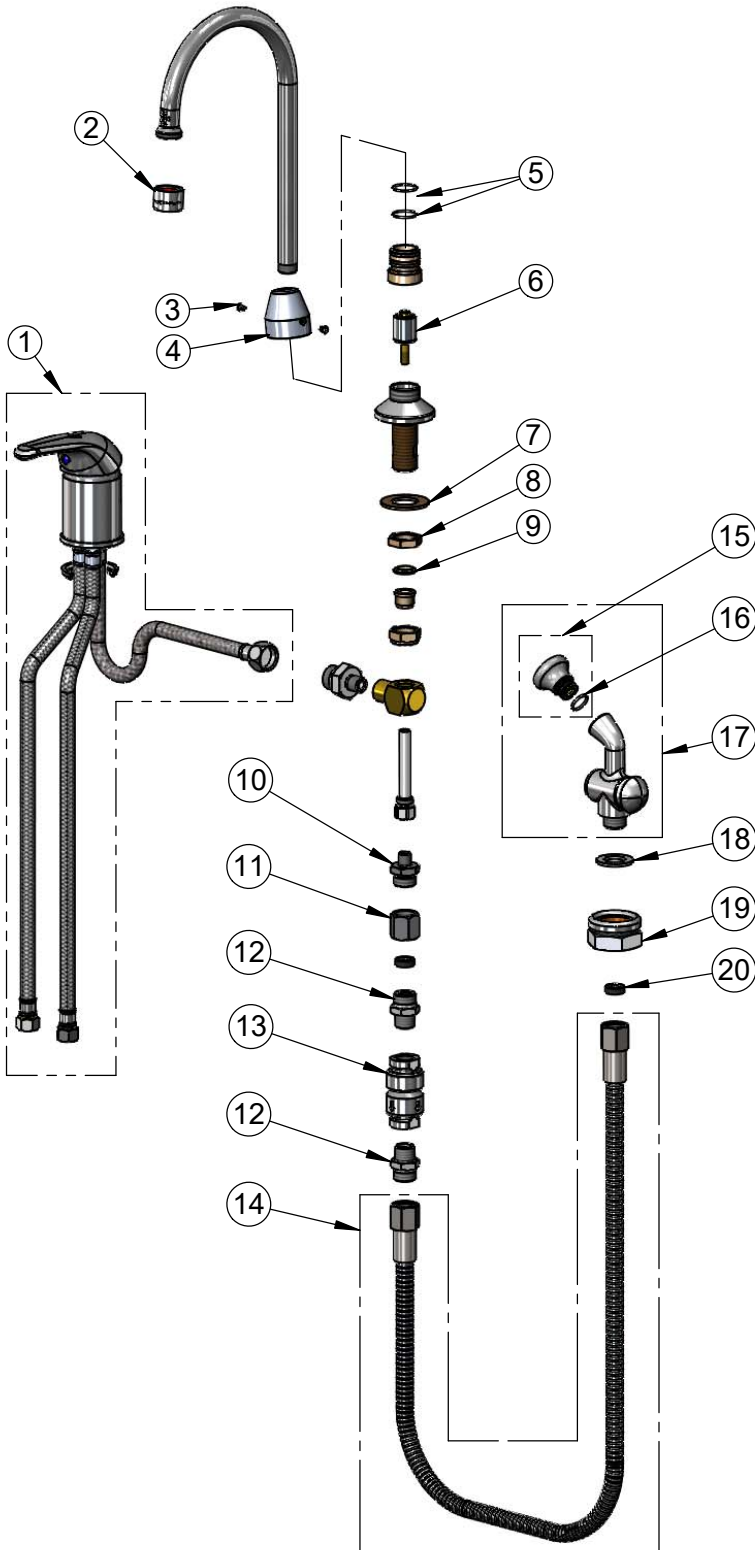
2 Saddleback Cove / P.O. Box 1088
Travelers Rest, SC 29690

Model No.

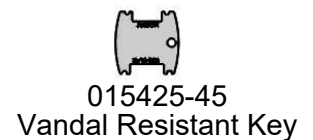
B-2749

Item No.

Travelers Rest, SC: 800-476-4103 • Simi Valley, CA: 800-423-0150 • Fax: 864-834-3518 • www.tsbrass.com



ITEM NO.	SALES NO.	DESCRIPTION
1	B-2740	Side Mount Single Lever Control Faucet
2	B-0199-06	VR 2.2 GPM Aerator, 55/64-27 UN Female w/ Key
3	001486-45	Diverter Cover Screw
4	001485-45	Diverter Cover
5	006562-45	O-ring
6	002338-45	Valve Diverter Piston
7	000999-45	Brass Lock Washer
8	002954-45	Shank Lock Nut
9	012702-45	Washer, Cross Body
10	000542-25	1/8" NPT x 3/4-14 Male Adapter
11	146X	3/4-14 Coupling
12	053A	Adapter, 3/8" NPT Male
13	B-0970-FE	3/8" NPT Vacuum Breaker
14	013E-36H	36" Flexible Stainless Steel Hose
15	B-0103	2.2 GPM Rosespray, 3/8-18 NPT Male
16	006575-45	-015 O-Ring
17	002857-40	Push Button Spray Valve w/ Rosespray Outlet
18	001010-40	Washer, Stainless Steel
19	B-KF	Protective Flange
20	010476-45	#27 Washer



Product Specifications:

Single Lever Side Mount Faucet, Ceramic Cartridge, Remote On/Off Control Base, Swivel Gooseneck, Vandal Resistant 2.2 GPM Aerator, (2) 16" Flexible Stainless Steel Supply Hoses, 36" Flexible Stainless Steel Hose, Vacuum Breaker & Spray Valve w/ 2.2 GPM Rosespray Outlet

Product Compliance:

ASME A112.18.1 / CSA B125.1
NSF 61 - Section 9
NSF 372 (Low Lead Content)
2019 DOE PRSV Non-Compliant
CSA B64.8 (VB)