



# COOKING EQUIPMENT

SERVING THE FOOD INDUSTRY SINCE 1951

## COUNTERTOP STAINLESS STEEL GAS CHAR-BROILER

Item: 43736  
Model: CE-CN-CBR15

Item: 43727  
Model: CE-CN-CBR24

Item: 43728  
Model: CE-CN-CBR36

Item: 43729  
Model: CE-CN-CBR48

These Omcan Broilers are ideal for cooking steaks, chops, hamburgers and seafood. These units are sturdy and reliable option for the increasing demand of char grilled food.



### OMCAN GAS EQUIPMENT SERIES

answers the needs of modern, busy catering establishments for reliable, well-built equipment that offers flexibility, performance, style and value for money. Omcan gas equipment has been designed with safety, ease of operation and performance as paramount. Omcan has a stylish and robust modular design, constructed of high quality brushed stainless steel, large "cool to touch" dials, large heavy-duty adjustable feet and easy to clean and remove accessories.



Authorized Dealer



LIMITED WARRANTY  
PARTS AND LABOR



**COUNTERTOP STAINLESS STEEL GAS CHAR-BROILER**

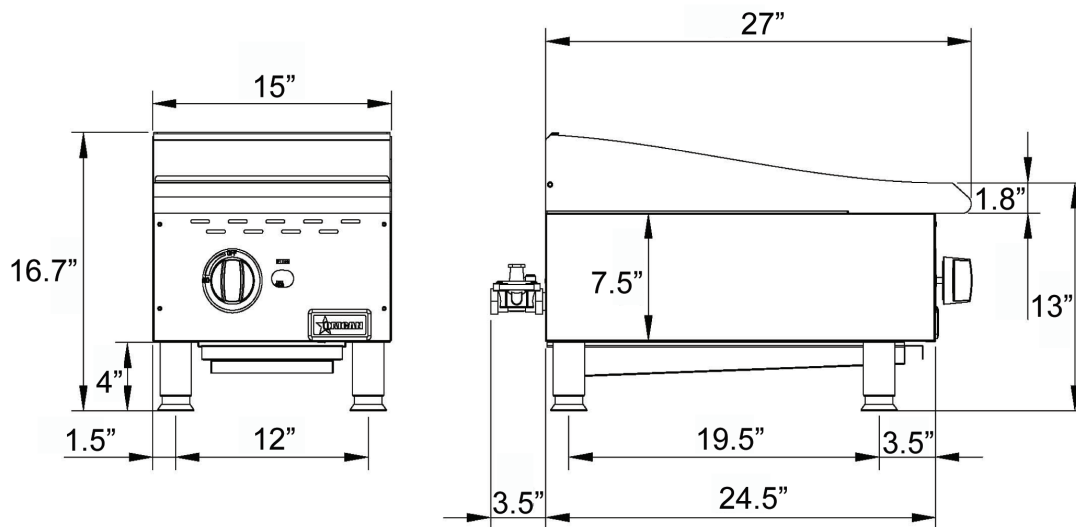
With 1 Burner



- Stainless steel construction and finish
- Heavy-duty cast iron grilling grates
- Manually controlled independent cooking zones
- Large and robust dial controls
- Stainless steel burners
- Burner manual valves
- Removable full width waste tray
- Heavy-duty adjustable feet
- 3/4" rear gas connection
- Propane conversion kit (42964) included

TECHNICAL SPECIFICATION	
ITEM NUMBER	43736
MODEL	CE-CN-CBR15
NUMBER OF BURNERS	1 Burner
B.T.U.	40,000
COOKING AREA (WD)	15" x 20" / 380 x 510 mm
*GAS TYPE	Natural Gas
DIMENSION (WDH)	15" x 30.3" x 16.7" / 380 x 770 x 425 mm
PACKAGING DIMENSIONS (WDH)	17" x 30" x 18.5" / 430 x 760 x 470 mm
WEIGHT	88 lbs/ 40.10 kg
PACKAGING WEIGHT	110.5 lbs/ 51.10 kg

**TECHNICAL DRAWING & DIMENSIONS**



Gas conversion to be completed by an approved gas field technician

**OMCAN INC.**

Telephone: 1-800-465-0234  
 Fax: (905) 607-0234  
 Email: sales@omcan.com  
 Website: www.omcan.com



Follow us to keep up to date with the latest news and offers



**COUNTERTOP STAINLESS STEEL GAS CHAR-BROILER**

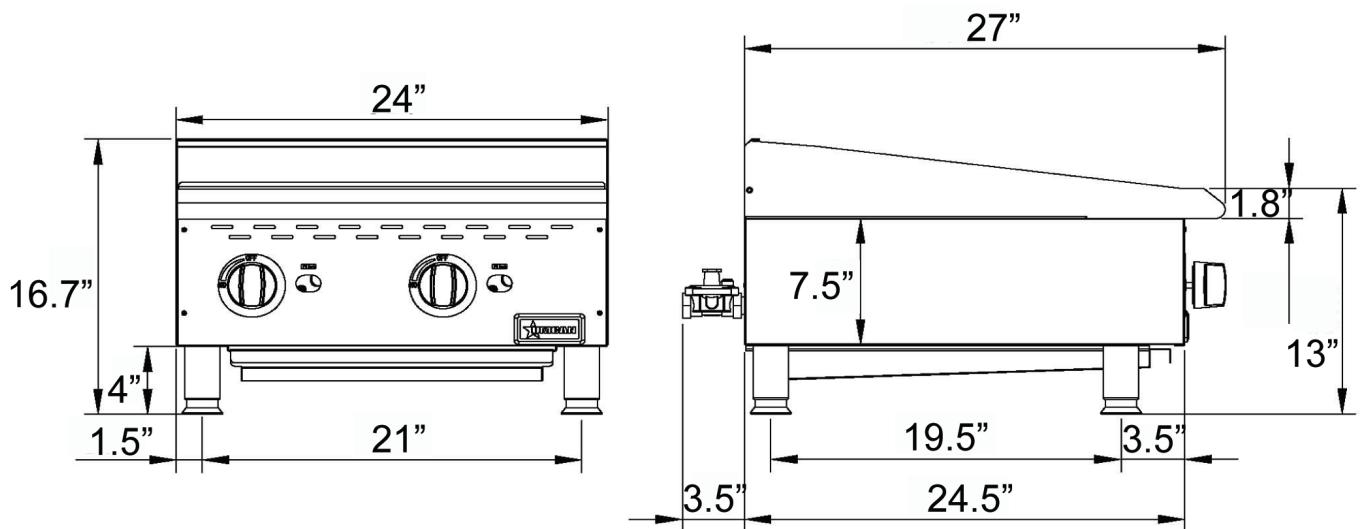
With 2 Burners



- Stainless steel construction and finish
- Heavy-duty cast iron grilling grates
- Manually controlled independent cooking zones
- Large and robust dial controls
- Stainless steel burners
- Burner manual valves
- Removable full width waste tray
- Heavy-duty adjustable feet
- 3/4" rear gas connection
- Propane conversion kit (42965) included

TECHNICAL SPECIFICATION	
ITEM NUMBER	43727
MODEL	CE-CN-CBR24
NUMBER OF BURNERS	2 Burners
B.T.U.	80,000
COOKING AREA (WD)	24" x 20" / 610 x 510 mm
*GAS TYPE	Natural Gas
DIMENSION (WDH)	24" x 30.3" x 16.7" / 610 x 770 x 425 mm
PACKAGING DIMENSIONS (WDH)	26" x 30" x 18.5" / 660 x 760 x 470 mm
WEIGHT	137 lbs / 62.05 kg
PACKAGING WEIGHT	176 lbs / 79.80 kg

**TECHNICAL DRAWING & DIMENSIONS**



Gas conversion to be completed by an approved gas field technician

**OMCAN INC.**

Telephone: 1-800-465-0234  
 Fax: (905) 607-0234  
 Email: sales@omcan.com  
 Website: www.omcan.com



Follow us to keep up to date with the latest news and offers



**COUNTERTOP STAINLESS STEEL GAS CHAR-BROILER**

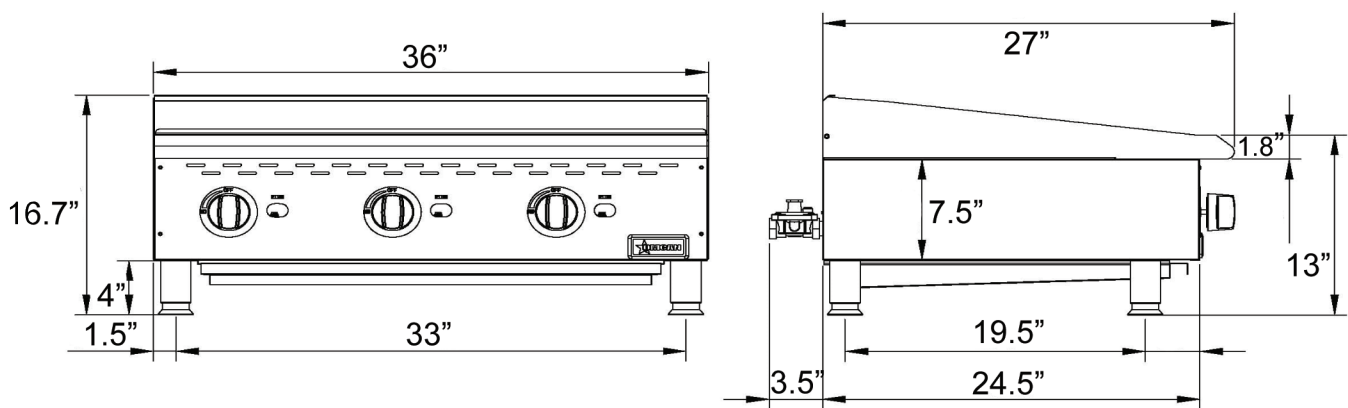
With 3 Burners



- Stainless steel construction and finish
- Heavy-duty cast iron grilling grates
- Manually controlled independent cooking zones
- Large and robust dial controls
- Stainless steel burners
- Burner manual valves
- Removable full width waste tray
- Heavy-duty adjustable feet
- 3/4" rear gas connection
- Propane conversion kit (42966) included

TECHNICAL SPECIFICATION	
ITEM NUMBER	43728
MODEL	CE-CN-CBR36
NUMBER OF BURNERS	3 Burners
B.T.U.	120,000
COOKING AREA (WD)	36" x 20" / 915 x 510 mm
*GAS TYPE	Natural Gas
DIMENSION (WDH)	36" x 30.3" x 16.7" / 915 x 770 x 425 mm
PACKAGING DIMENSIONS (WDH)	38" x 30" x 18.5" / 965 x 760 x 470 mm
WEIGHT	199.6 lbs/ 90.55 kg
PACKAGING WEIGHT	262 lbs/ 119.00 kg

**TECHNICAL DRAWING & DIMENSIONS**



Gas conversion to be completed by an approved gas field technician

**OMCAN INC.**

Telephone: 1-800-465-0234  
 Fax: (905) 607-0234  
 Email: sales@omcan.com  
 Website: www.omcan.com



Follow us to keep up to date with the latest news and offers



### COUNTERTOP STAINLESS STEEL GAS CHAR-BROILER

With 4 Burners

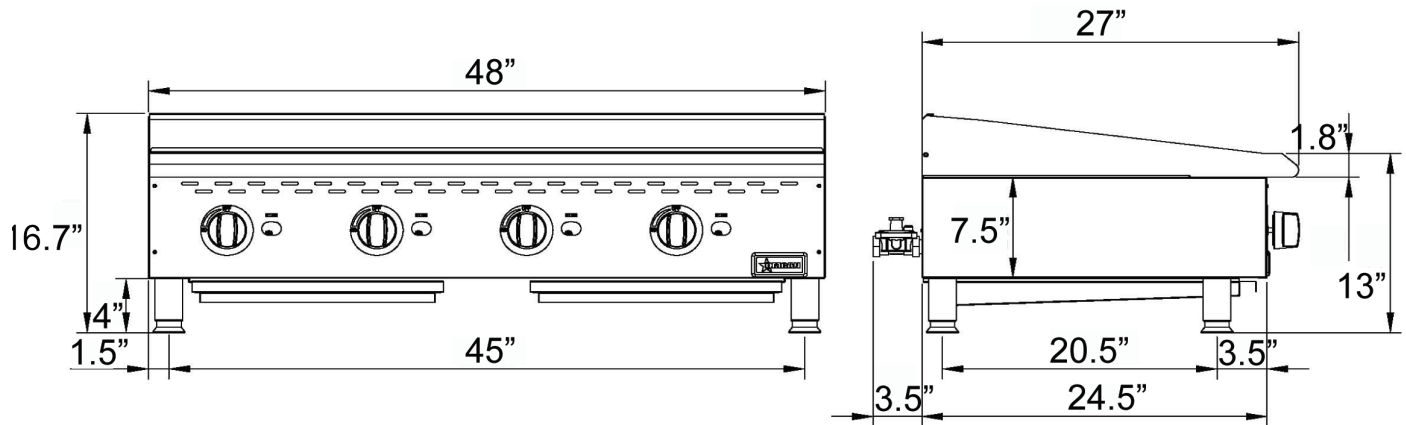


- Stainless steel construction and finish
- Heavy-duty cast iron grilling grates
- Manually controlled independent cooking zones
- Large and robust dial controls
- Stainless steel burners
- Burner manual valves
- Removable full width waste tray
- Heavy-duty adjustable feet
- 3/4" rear gas connection
- Propane conversion kit (42967) included

#### TECHNICAL SPECIFICATION

ITEM NUMBER	43729
MODEL	CE-CN-CBR48
NUMBER OF BURNERS	4 Burners
B.T.U.	160,000
COOKING AREA (WD)	48" x 20" / 1220 x 510 mm
*GAS TYPE	Natural Gas
DIMENSION (WDH)	48" x 30.3" x 16.7" / 1220 x 770 x 425 mm
PACKAGING DIMENSIONS (WDH)	50" x 30" x 18.5" / 1270 x 760 x 470 mm
WEIGHT	260 lbs / 117.9 kg
PACKAGING WEIGHT	316 lbs / 143.25 kg

#### TECHNICAL DRAWING & DIMENSIONS



Gas conversion to be completed by an approved gas field technician

#### OMCAN INC.

Telephone: 1-800-465-0234  
 Fax: (905) 607-0234  
 Email: sales@omcan.com  
 Website: www.omcan.com



Follow us to keep up to date with the latest news and offers

