

Project: _____	AIA# _____
Item #: _____ Qty: _____	SIS# _____
Model #: _____	

## Low Profile Dry Storage Cabinet

<b>LPDS</b>	LPDS24, LPDS40, LPDS48, LPDS60, LPDS72, LPDS80, LPDS96
-------------	---



LPDS24  
with stainless steel door  
and top

### Configurable Options

- Door Style & Finish** (*specify per door section*):
- Black vinyl-clad
  - Stainless steel
  - Jeweled stainless
  - Laminated
  - Unlaminated
- Top Style:**
- No finished top
  - Stainless top
- Left and Right Side Finish:**
- Black vinyl-clad
  - Stainless steel
- Door Hinge Location:**
- Left or Right
- Door Handle:**
- Signature
  - Pull-tab
  - Tube



**Intertek**  
4004503  
Conforms to NSF/ANSI STD 2

### Standard Features

- Locking door
- Galvanized steel interior
- One adjustable, coated-wire shelf
- Eco-friendly, foamed-in-place insulated sides and door (excluding 24" sides)
- Stainless steel sub top (excluding LPDS24, which has an open top)
- Black vinyl-clad steel exterior front and sides
- LPDS24 includes 16 gauge galvanized shelves

To view underbar installation instructions, please visit: [https://www.glastender.com/PDF/F-750-165\\_Underbar\\_Installation\\_Instructions.pdf](https://www.glastender.com/PDF/F-750-165_Underbar_Installation_Instructions.pdf)  
 To view cleaning and care instructions, please visit: [https://www.glastender.com/PDF/F-423-011\\_ss\\_clean\\_care.pdf](https://www.glastender.com/PDF/F-423-011_ss_clean_care.pdf)

<b>Glastender, Inc.</b> • 5400 N Michigan Rd • Saginaw, MI • 48604-9780 989.752.4275 • 800.748.0423 • Fax 989.752.4444 <a href="http://www.glastender.com">www.glastender.com</a>	Approval/Notes:
<small>Specifications subject to change without notice. For current specifications please visit our website.</small>	

# Low Profile Dry Storage Cabinet

## Specifications

		LPDS24	LPDS40	LPDS48	LPDS60	LPDS72	LPDS80	LPDS96
Dimensions	Length	24"	40"	48"	60"	72"	80"	96"
	Number of Sections	1	2	2	3	3	4	4
	Door Opening	21"	16"	20"	16"	20"	16"	20"
Weight Bearing Capacity		Countertops and other accessories should not exceed 500 pounds per door						

### Materials

- Stainless steel parts include: exterior sub-top (LPDS24 excluded), interior, front of cabinet, hinges, hinge and lock brackets, and optional legs
- Black vinyl-clad steel parts include: standard sides, doors and compressor cover
- Galvanized steel parts: interior
- Zinc plated CR steel parts include: leg sockets

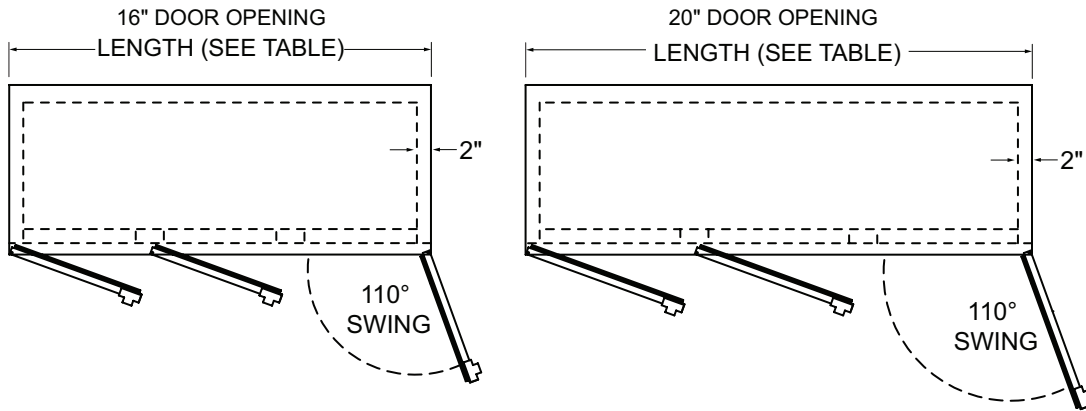


5400 N Michigan Rd • Saginaw, MI • 48604-9780  
989.752.4275 • 800.748.0423 • Fax 989.752.4444  
www.glastender.com

# Low Profile Dry Storage Cabinet

## Drawings

### PLAN VIEW

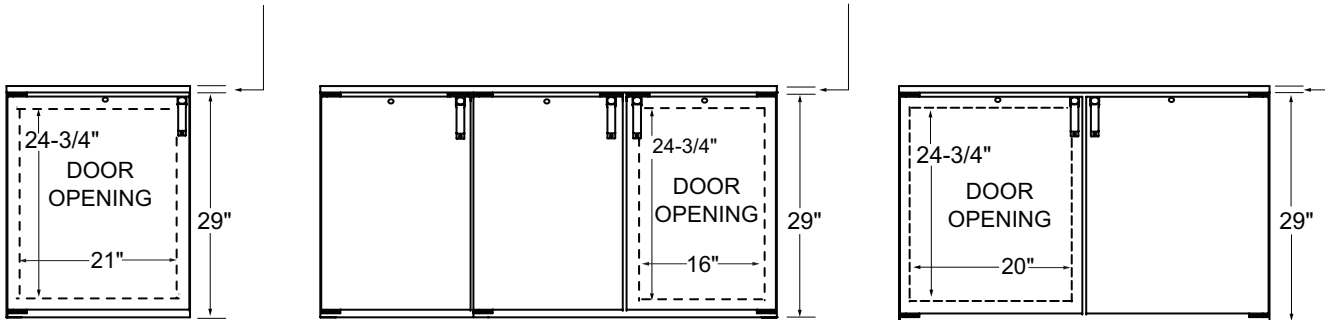


### FRONT VIEW

ADD 1" TO HEIGHT FOR FACTORY INSTALLED TOP

ADD 1" TO HEIGHT FOR FACTORY INSTALLED TOP

ADD 1" TO HEIGHT FOR FACTORY INSTALLED TOP

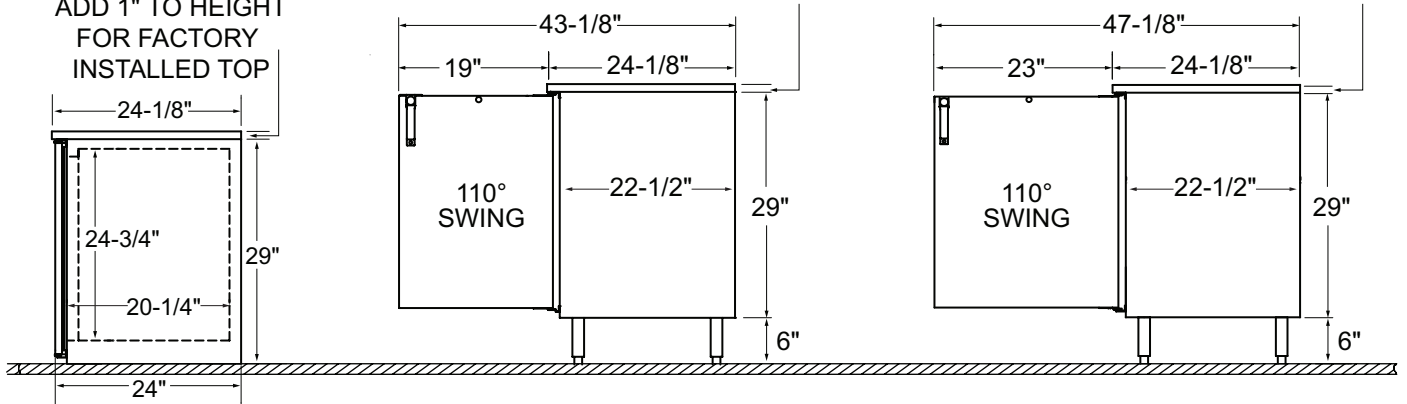


### SIDE VIEWS

ADD 1" TO HEIGHT FOR FACTORY INSTALLED TOP

ADD 1" TO HEIGHT FOR FACTORY INSTALLED TOP

ADD 1" TO HEIGHT FOR FACTORY INSTALLED TOP



STANDARD CABINET

SHOWN WITH OPTIONAL 6" LEGS

### OPTIONAL LEGS AND CASTERS

