



Project _____
 AIA # _____ SIS # _____
 Item # _____ Quantity _____ C.S.I. Section 114000



NGW Automatic Wrapping System



SPECIFIER STATEMENT

The Hobart NGW uses an advanced sensor system and camera technology to automatically size your package, weigh, and optimize film efficiency by variable film roll selection and cut length. The NGW then automatically stretches film around all 4 sides, seals the tray, computes price and applies the label. Electric motors power weigher/scale intake conveyor and auto-centering. The NGW is a tank-based pneumatics power wrapping system.

The NGW allows operators to monitor package information and controls during the wrap process on the 14" touchscreen display. Emergency start and stop switches on the front of unit allow operators to stop the wrap process at any time in case of emergency.

Operators can change/replace film rolls without any tools. Operators can access film through doors located at the rear of unit.

MODELS

- NGW1-LI1LR** One roll, left to right
- NGW1-LI1RL** One roll, right to left
- NGW2-LI1LR** Two rolls, left to right
- NGW2-LI1RL** Two rolls, right to left

STANDARD FEATURES

- + Small footprint to increase useable floor space
- + Fully automatic – operator places package into the NGW, weighing, wrapping and labeling is all done automatically
- + 1GB DDR3 RAM
- + 8GB storage media
- + Can support and has the memory for up to 999,999 1-6 digit PLU codes
- + 1.0GHz dual-core processor
- + Integrated scale and label applier to reduce floor space requirements
- + 8 dot/mm(640 dots) high resolution thermal printhead
- + Auto off/on timer for heated sealer belt
- + Emergency safety stop switch on front of unit
- + Hose-downable just like the meat saw or mixer grinder using covers for console and printer
- + System automatically shuts down when not in use
- + Swivel wand allows for label placement on all four corners of the meat package
- + Intuitive operator diagnostics to reduce service calls
- + Package range up to 10" L X 15" W X 6" H
- + 802.3 wired communication at 10/100/1000 Mbps Ethernet and 802.11 a/b/g/n for wireless networks.
- + COOL (country of origin labeling) can be created and modified on NGW
- + USDA (United States Department of Agriculture) mandated safe handling statements available in standard and custom label formats
- + Label can provide ingredients, graphics, special messages, and nutrifacts information
- + UPC, EAN 13, EAN 128 Barcodes and GS1 DataBar
- + Remotely access the NGW from your help desk
- + NGW can communicate to other HT Series devices and scale management software provided they are located on the same network

ACCESSORIES (Available at extra cost)

- NGWKIT-SHELF** – Fixed stainless side shelf
- RBG-2** – Rotary bin gravity with casters
- HRT5-3** – Roller discharge table
- GRVCON-1** – 4 ft. discharge roller conveyor


NGW AUTOMATIC WRAPPING SYSTEM

Approved by _____ Date _____ Approved by _____ Date _____

INCLUDED WITH PURCHASE

- + EPP-3 – Access Prepack printer
- + EPCP-5e – HT series console functionality with Linux OS with 14" touch screen

SOFTWARE

- + Linux embedded operating system 
- + When needed, the OS system is capable of being upgraded to support new features and any security patches
- + Interfaces with scale management software such as:
 - Invatron's PLUM
 - ADC's Interscale
 - Genesis Software
 - Data GateWeigh
 - HCT
 - Hobart HTe Software
 - Content management
 - Label editing
 - Remote updates

SPECIFICATIONS

WEIGHING

Capacity: 30 lbs. (Manual) 15 lbs. (Automatic mode)

Weighing increments: Dual range capable, 30 x 0.01 lb., 12 x 0.005 lb./15 x 0.005 kg, 6 x .002 kg

Minimum weight to print: .20 lb.

LABELING

Label Width: 1.5", 2.25" and 3.0"

Label Length: 1.5" up to 4.0" in .5" inch increments

WRAPPING

Package Size Width: 4.5" min, 15.0" max

Length: 4.5" min, 10.1" max

Height: .4" min, 6.0" max

Wrapping Speed: Maximum of 30 packages per minute

Type of Film Used: PVC

Film Thickness: 60 gauge min, 100 gauge max

Film Core Size: 3" I.D.

Film Maximum Diameter: 9.5" O.D.

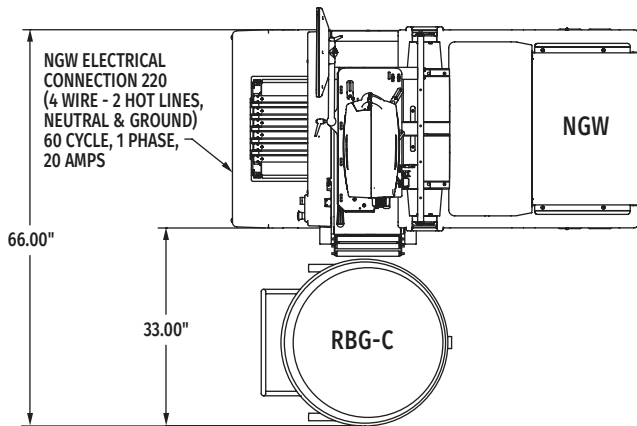
Film Widths: 15" min, 20" max

Pricing Capacity: Up to 999.99 in steps of .01

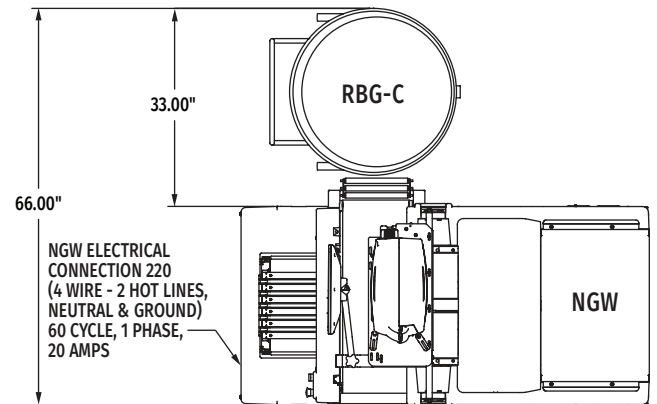
Electrical: 220 volts (4 wire-2 hot lines, neutral & ground), 60 hertz, 1 phase, 20 amps. For power under 208 volts, field upgradeable installation of optional voltage Buck/Boost transformer recommended

Shipping Weight: Approximately 1,300 lbs.

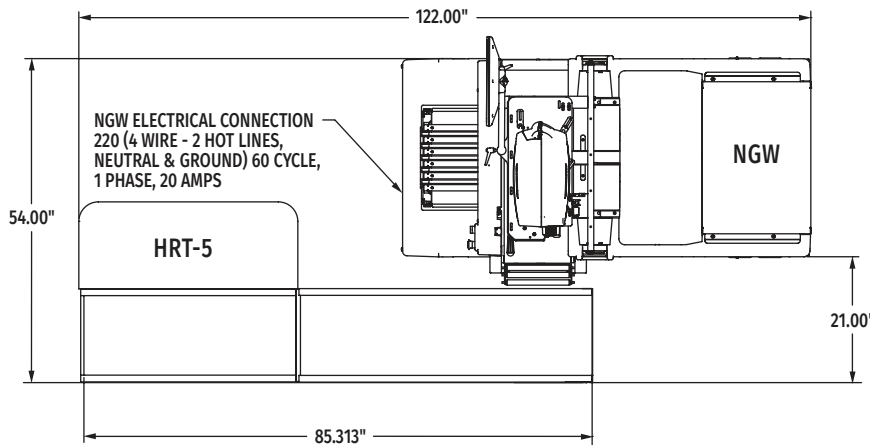




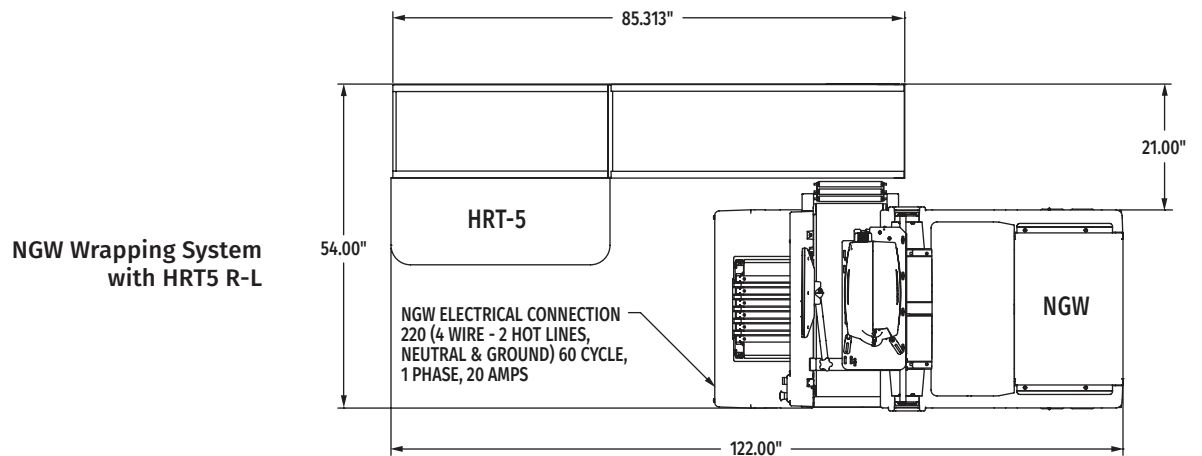
NGW Wrapping System with RGB L-R



NGW Wrapping System with RGB R-L

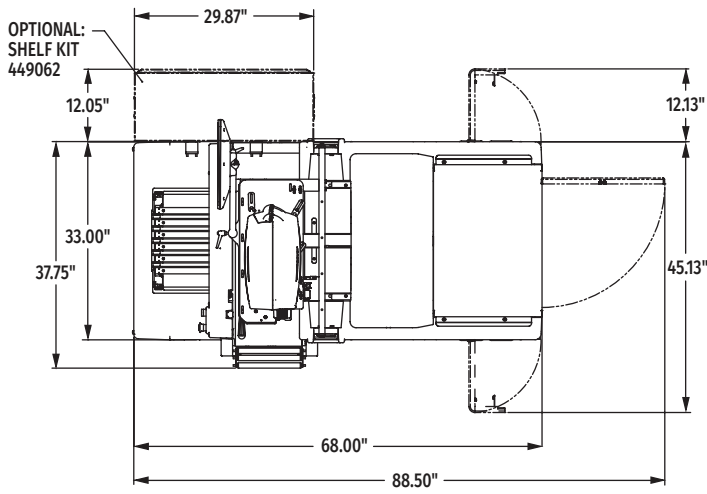


NGW Wrapping System with HRT5 L-R

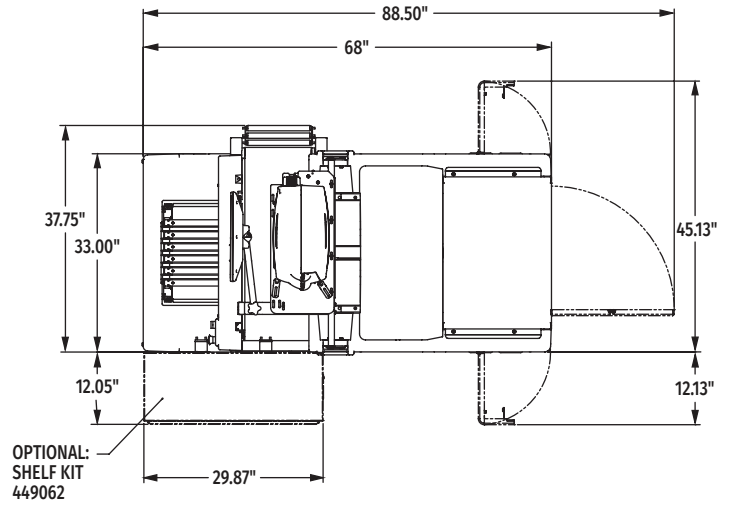


NGW Wrapping System with HRT5 R-L

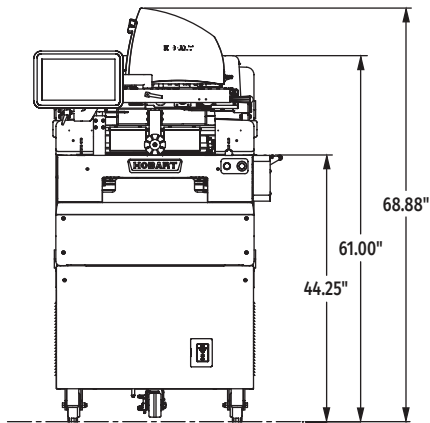
DETAILS AND DIMENSIONS



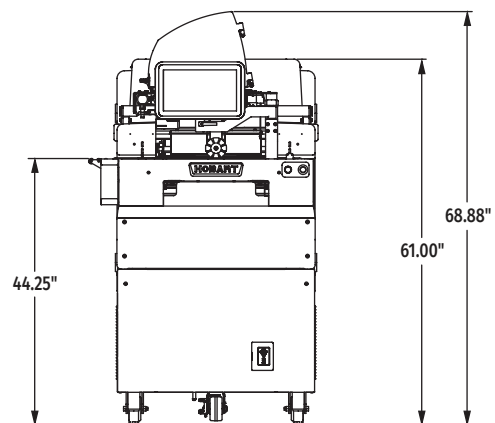
Left to Right Operation – Top View



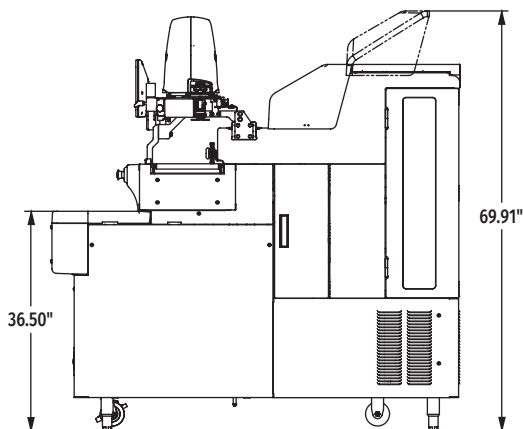
Right to Left Operation – Top View



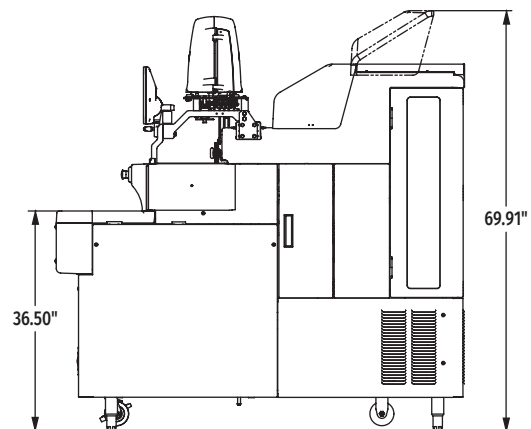
Left to Right Operation – Front View



Right to Left Operation – Front View



Left to Right Operation – Side View



Right to Left Operation – Side View

As continued product improvement is a policy of Hobart, specifications are subject to change without notice.