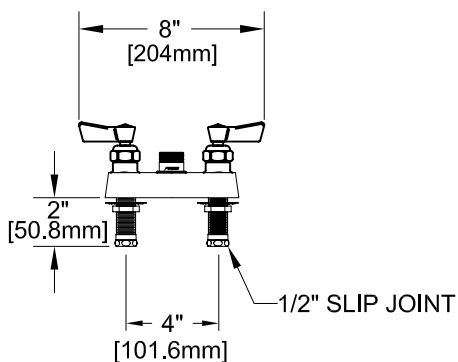
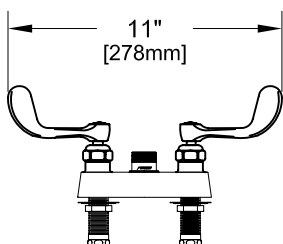


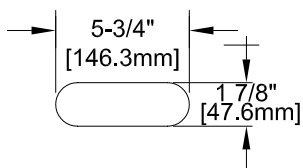
4" DECK MOUNT CONTROL VALVE W/ LEVER HANDLES



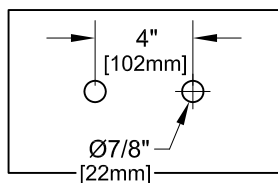
4" DECK MOUNT CONTROL VALVE W/ WRIST HANDLES



FOOTPRINT:



ROUGH-IN:



PRODUCT NAME: STAINLESS STEEL  
4" DECK MOUNT CONTROL VALVE

MODEL:  
 67423 SWIVEL OUTLET W/ LEVER HANDLES  
 67431 SWIVEL OUTLETW/ WRIST HANDLES

FEATURES

CONTROL VALVE

- \* 4" C/C DECK MOUNT
- \* CONCENTRICS
- \* STAINLESS STEEL CONSTRUCTION
- \* SWIVELLING SEAT DISKS
- \* HOT SIDE STEM - RIGHT HAND
- \* COLD SIDE STEM - LEFT HAND
- \* LEVER HANDLES OR WRIST HANDLES

SYSTEM LIMITS

- \* TEMP: 40°F MIN. TO 140°F MAX.

SHIPPING WEIGHT

- \* 5.0 LBS

\* NSF 61-9 APPROVED & LISTED  
[www.truedsail.com](http://www.truedsail.com)