



SPEC SHEET

KoolMore 82 in. Three-Door Reach-In Freezer 72 cu ft.

SKU: RIF-3D-SS

FEATURES

- Ideal for restaurants, hotels, and all types commercial kitchens.
- A raised bottom shelf made for convenient loading, unloading, and maintenance.
- Two door industrial freezer with recessed handle for easy access. With a self-closing feature that ensures food remains fresh.
- Six deep adjustable shelves coated in epoxy for maximum corrosion resistance. This tall refrigerator holds up to 47 cu. ft.
- External digital temperature controls and display to easily monitor and control temperature. 4 casters with 2 locking make it portable.



CLOSE UP IMAGES



TECHNICAL SPECS

Dimensions

Depth	32.2
Width	80.9
Height	82.5
Interior Depth	27.1
Interior Width	76.3
Interior Height	51.6
Shelf Width	23.6 LR - 25.1 M
Shelf Depth	23.2
Depth Including Handles	32.2
Depth Excluding Handles	32.2
Depth Less Door	29.4
Depth With Door Open 90 Degrees	57.1
Power Cord Length	98.5

Capacity

Gross Cubic Feet	72.1
Net Capacity Cu. Ft.	66.5
Individual Shelf Capacity	88l bs.

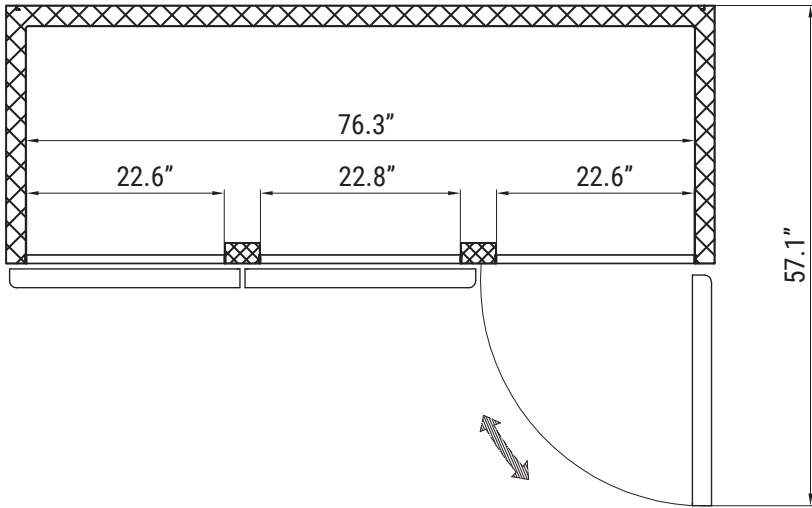
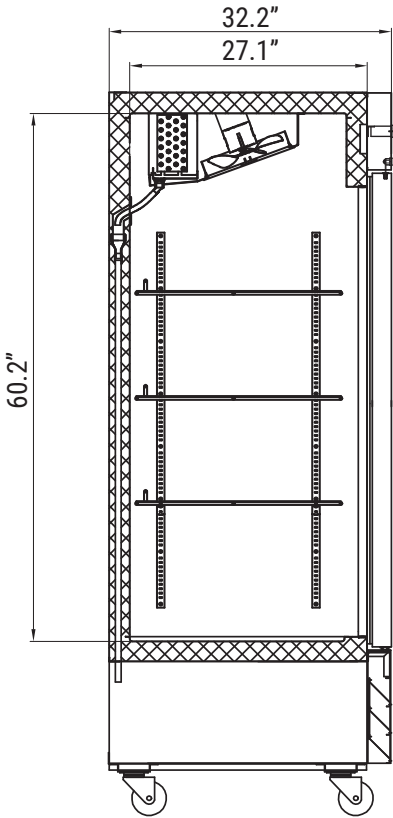
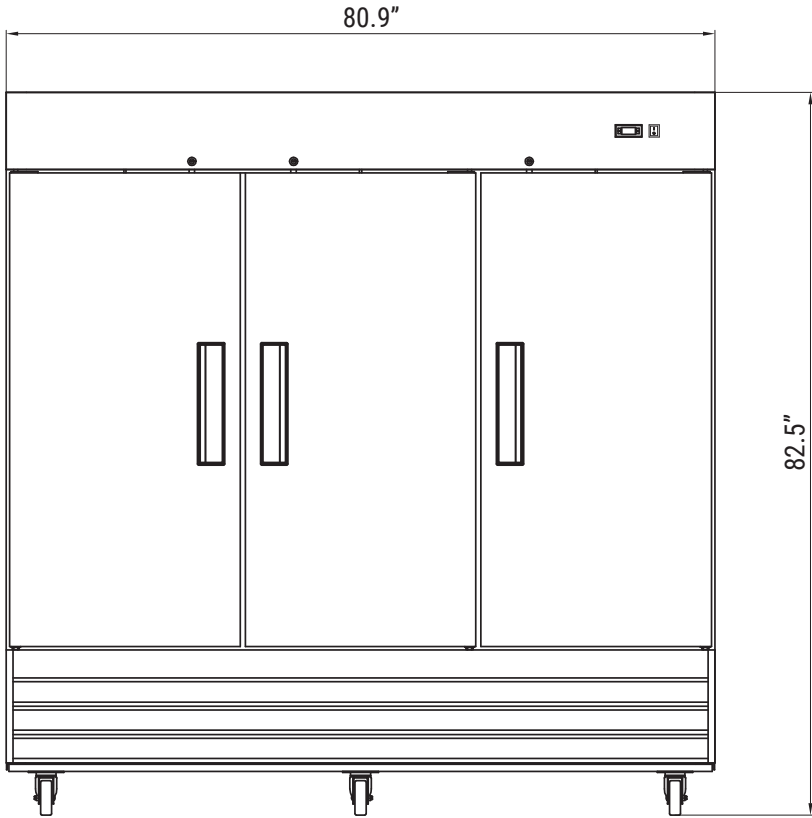
Features & Material

Door Style	Swing
Number Of Doors	3
Number Of Shelves	9
Defrost Type	Automatic
Refrigerant Type	R-290
Temperature Control Type	External Digital
Ambient Temperature Range	100 F
Temperature Range	- 7 F~0 F
Casters	6
Light Type	Fluorescent Bulb
Shelf Material Type	Epoxy Coated
Interior Material	Stainless Steel 201
Exterior Material	Stainless Steel 304

Electric Data & Certifications

Amps	14.4
Phase	1
Plug Type	NEMA 5-15P
Voltage	115
Certifications	ETL Listed for Safety and Sanitation

Plan View



CERTIFICATIONS

ETL Intertek US
ETL Intertek CERTIFICATION LIMITED

This block contains two ETL Intertek certification logos. The first logo is labeled 'ETL Intertek US' and the second is labeled 'ETL Intertek CERTIFICATION LIMITED'. Both logos feature the ETL mark and the Intertek name.



706 Eastern Parkway STE 1G, Brooklyn NY 11213
718-576-6342
info@koolmore.com