



Project: _____	AIA# _____
Item #: _____ Qty: _____	SIS# _____
Model #: _____	

## Drainboards

<b>C-DB</b>	See reverse side for model number key
-------------	---------------------------------------

### Standard Features

- All stainless steel construction
- Adjustable stainless steel bullet feet
- Corrugated work surface
- One-piece seamless top and backsplash featuring 1/4" radius corners for easy cleaning
- Standard models available in 6" incremental lengths from 12" to 48"
- 24" deep models provide a larger drainboard storage area not just a deck extension on the back of the 19" deep model

### Configurable Options

C-LSA-D	Left side splash for C-DBA models
C-RSA-D	Right side splash for C-DBA models
C-LSB-D	Left side splash for C-DBB models
C-RSB-D	Right side splash for C-DBB models

### Accessories

C-SR-12	12" single speed rail
C-SR-18	18" single speed rail
C-SR-24	24" single speed rail
C-SR-30	30" single speed rail
C-SR-36	36" single speed rail
C-SR-42	42" single speed rail
C-SR-48	48" single speed rail
C-DR-12	12" double speed rail
C-DR-18	18" double speed rail
C-DR-24	24" double speed rail
C-DR-30	30" double speed rail
C-DR-36	36" double speed rail
C-DR-42	42" double speed rail
C-DR-48	48" double speed rail

### Specifications

- Drain**
- 1-1/2" I.P.S. Threaded drain will fit Dearborn part #8033 slipnut and part #W-573P washer
- Legs**
- 1-5/8" diameter, 16 gauge stainless steel
  - Stainless steel bullet feet
- Materials**
- 20 gauge stainless steel

To view cleaning and care instructions, please visit:  
[https://glastender.com/PDF/F-423-011\\_ss\\_clean\\_care.pdf](https://glastender.com/PDF/F-423-011_ss_clean_care.pdf)

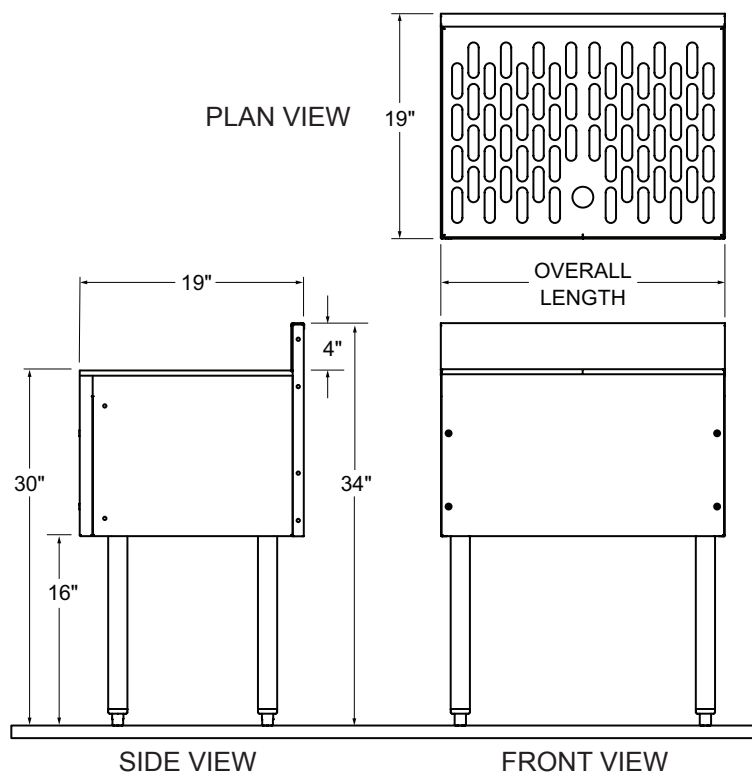
<p><b>Glastender, Inc.</b> • 5400 North Michigan Road • Saginaw, MI • 48604-9780 989.752.4275 • 800.748.0423 • Fax 989.752.4444 <a href="https://glastender.com">https://glastender.com</a></p>	<p>Approval/Notes:</p>
<p><small>Specifications subject to change without notice. For current specifications please visit our website.</small></p>	

# Choice Drainboards

## Dimensional Information

### “A” Depth-19” Deep Models

Model Number	Overall Length
C-DBA-12	12"
C-DBA-18	18"
C-DBA-24	24"
C-DBA-30	30"
C-DBA-36	36"
C-DBA-42	42"
C-DBA-48	48"



### “B” Depth-24” Deep Models

Model Number	Overall Length
C-DBB-12	12"
C-DBB-18	18"
C-DBB-24	24"
C-DBB-30	30"
C-DBB-36	36"
C-DBB-42	42"
C-DBB-48	48"

