



Special Features:

- ✓ 16-Gauge Type 304 Stainless Steel Tabletop
- ✓ One 1-5/8" 16-Gauge Stainless Steel Tubing "H" Leg
- ✓ Left & Right Side Models Available
- ✓ 24" to 60" Tabletop Models Available
- ✓ Stainless Steel Adjustable Bullet Feet
- ✓ Features one 20" x 20" x 5" Sink
- ✓ 7.5" Backsplash
- ✓ All Seams Welded & Polished
- ✓ No Burrs or Sharp Edges
- ✓ NSF Listed



About Empura Soiled Dish Tables:

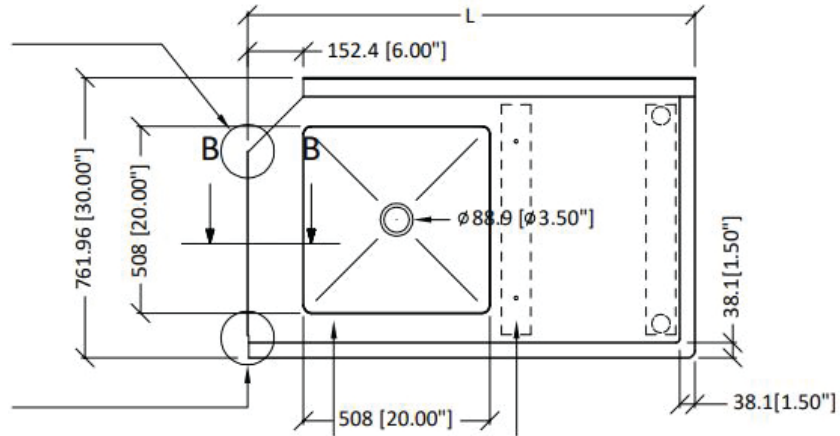
Empura soiled dish tables are the perfect solution when looking to update or expand your soiled dish storage and pre-rinse area to streamline your dishwashing station. Made with heavy duty Type 304 16-gauge stainless steel these dish tables can stand up to constant use day in and day out in a busy commercial kitchen. These tables stand on sturdy "H" legs made of 16-gauge stainless steel tubing that provide stability and support for storing soiled and pre-rinsed dishes before they are cleaned. These tables also feature a 20" x 20" x 5" sink bowl which is perfect for pre-rinsing dishes.

TECHNICAL SPECS

Model #	ESDT36R	ESDT48R	ESDT60R	ESDT72R	ESDT36L	ESDT48L	ESDT60L	ESDT72L
Orientation	Right Side	Right Side	Right Side	Right Side	Left Side	Left Side	Left Side	Left Side
Table Width	36" / 3'	48" / 4'	60" / 5'	72" / 6'	36" / 3'	48" / 4'	60" / 5'	72" / 6'
Table Depth	30"	30"	30"	30"	30"	30"	30"	30"
Table Height	41.5"	41.5"	41.5"	41.5"	41.5"	41.5"	41.5"	41.5"
Backsplash Height	7.5"	7.5"	7.5"	7.5"	7.5"	7.5"	7.5"	7.5"
Leg Height	34"	34"	34"	34"	34"	34"	34"	34"
Leg Diameter	1-5/8"	1-5/8"	1-5/8"	1-5/8"	1-5/8"	1-5/8"	1-5/8"	1-5/8"
Sink Bowl Size (WxDxH)	20" x 20" x 5"	20" x 20" x 5"	20" x 20" x 5"	20" x 20" x 5"	20" x 20" x 5"	20" x 20" x 5"	20" x 20" x 5"	20" x 20" x 5"
Construction Material	Stainless Steel	Stainless Steel	Stainless Steel	Stainless Steel	Stainless Steel	Stainless Steel	Stainless Steel	Stainless Steel
Tabletop Material Type	16 G / 304	16 G / 304	16 G / 304	16 G / 304	16 G / 304	16 G / 304	16 G / 304	16 G / 304
Number of / Leg Style	1 "H" Leg	1 "H" Leg	1 "H" Leg	1 "H" Leg	1 "H" Leg	1 "H" Leg	1 "H" Leg	1 "H" Leg
Leg Material Gauge	16 Gauge	16 Gauge	16 Gauge	16 Gauge	16 Gauge	16 Gauge	16 Gauge	16 Gauge
Leg Bracing Gauge	1.25"	1.25"	1.25"	1.25"	1.25"	1.25"	1.25"	1.25"
Foot Style	S/S Adjustable	S/S Adjustable	S/S Adjustable	S/S Adjustable	S/S Adjustable	S/S Adjustable	S/S Adjustable	S/S Adjustable
Certifications	NSF	NSF	NSF	NSF	NSF	NSF	NSF	NSF
Drain Basket	3.5" Included	3.5" Included	3.5" Included	3.5" Included	3.5" Included	3.5" Included	3.5" Included	3.5" Included
Weight	45.24 lb	51.1 lb	59.9 lb	67.86 lb	45.24 lb	51.1 lb	59.9 lb	67.86 lb

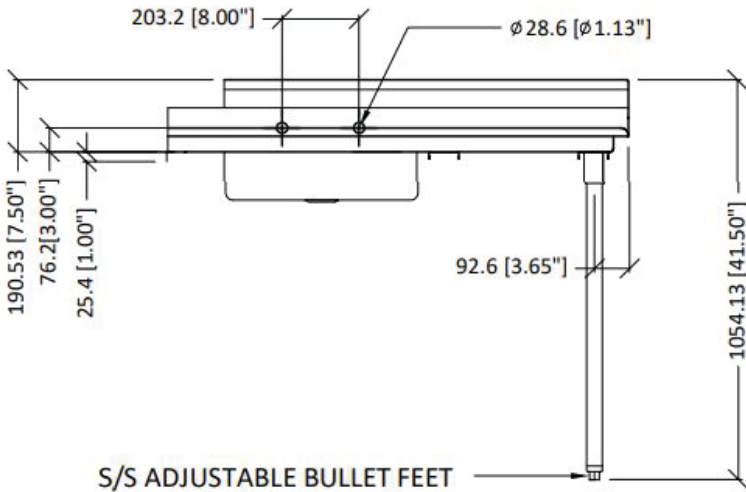
RIGHT SIDE MODEL TECHNICAL DRAWINGS

Top View

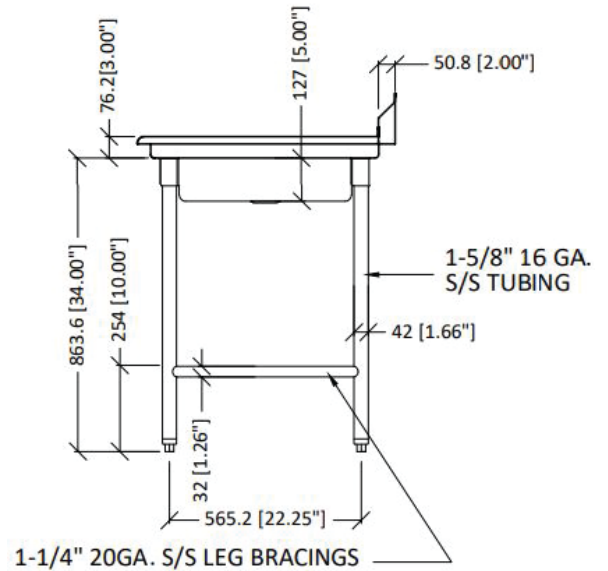


16GA.S/S GUSSET CHANNEL

Front View



Side View

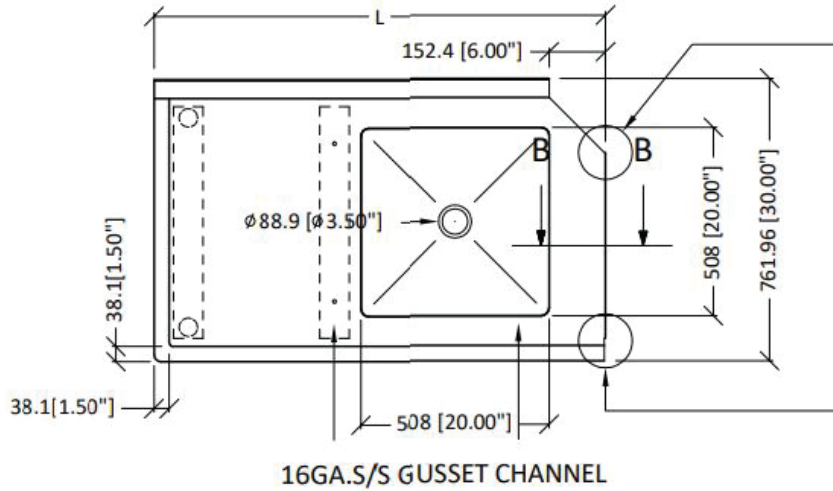


Intended For Commercial Use Only. Empura assumes no liability for component failure, factory defects or any other damages for units installed in non-commercial foodservice or residential applications.

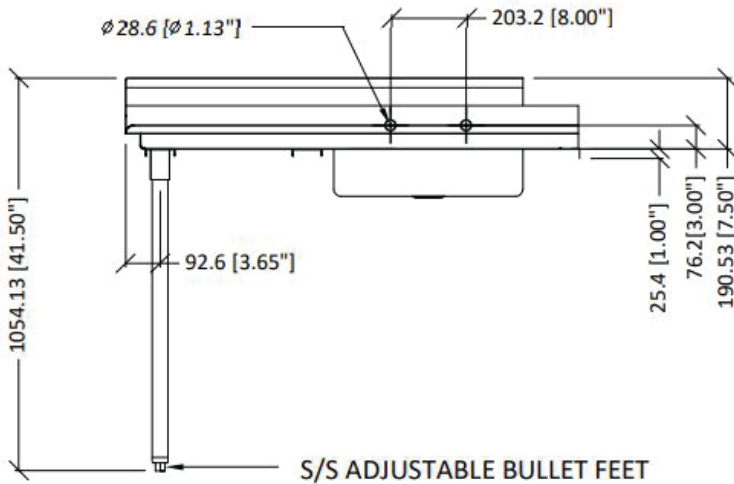
Attention CA Residents: This product can expose you to chemicals including lead, which are known to the State of California to cause cancer, birth defects, or other reproductive harm. For more information, go to www.p65warnings.ca.gov.

LEFT SIDE MODEL TECHNICAL DRAWINGS

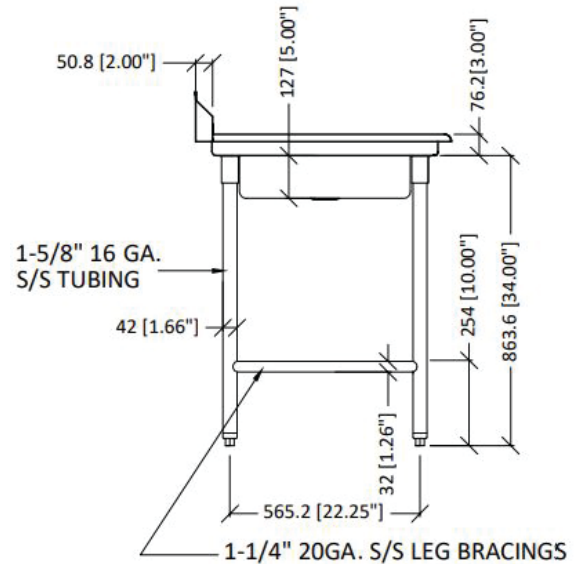
Top View



Front View



Side View



Intended For Commercial Use Only. Empura assumes no liability for component failure, factory defects or any other damages for units installed in non-commercial foodservice or residential applications.

Attention CA Residents: This product can expose you to chemicals including lead, which are known to the State of California to cause cancer, birth defects, or other reproductive harm. For more information, go to www.p65warnings.ca.gov.