



VALPRO COMMERCIAL REFRIGERATION

203 Kelsey Ln., Building G

Tampa, FL 33619

813-502-0300

Toll Free 1-888-VALPRO-8

www.ValproRefrigeration.com

sales@ValproRefrigeration.com

PROJECT:

MODEL #:

ITEM #:

QTY:

AVAILABLE W/H:

APPROVAL:

UNDERCOUNTER REFRIGERATOR 61" MODEL: VPUCR60

We are proud to introduce the beautifully constructed **Valpro VPUCR60 two door undercounter worktop commercial refrigerator**. Our two door unit offers large usable interior volume, durable stainless steel construction and superior energy efficiency. This model will provide many years of worry free service and delivers cost saving Energy Star efficiency. This unit utilizes an over-sized balanced refrigeration system allowing faster temperature recovery and shorter run times in a busy commercial environment. This unit uses natural hydrocarbon refrigerant as an environmentally responsible choice having low global warming potential and no potential for ozone depletion. All Valpro products are manufactured under strict ISO9001 standards for quality assurance, and to consistently deliver to our customers products that satisfy all expectations. All our products are operated, extensively monitored, and undergo rigorous inspection prior to packaging and shipping.



* Compressor warranty 2 year parts & labor / 3 additional year warranty compressor part only



Intertek



Intertek



KEY FEATURES

- Durable stainless steel exterior, (top, front, sides and frame)
- Interior 304 stainless steel floor and white interior ABS liner
- Heavy duty worktop surface
- Energy Star rated efficiency and ETL certified to NSF Standard 7
- Self-contained over sized balanced refrigeration system uses environmentally friendly R600A hydrocarbon refrigerant with low GWP and zero ozone depletion
- Larger efficient ECM fan motors with larger fan blades for superior air flow providing faster recovery times
- High density 2.4" foamed in-place CFC and HCFC free polyurethane insulation
- Door integrated heating elements eliminates any condensation
- Self closing doors with remain open feature past 90° for easy access loading and unloading
- Snap-in magnetic door gaskets removable and replaceable without tools for ease of cleaning
- Two heavy duty, epoxy coated wire shelf supported by stainless steel pilasters for easy adjustability
- Electronic thermostat digitally controlled temperature system maintains optimum temperature with easily viewed LED display
- Four casters, front locking, make it easy to maneuver and clean underneath



Model:
VPUCR60

61" Undercounter Refrigerator

Two Section - 15.5 cu. ft. Capacity

Technical Data

Dimensional Data

Exterior Dimensions	61.2"W x 29.9"D x 35.5"H
Interior Dimensions	56.5"W x 24.9"D x 24.2"H
Net Storage Capacity	15.5 cu. ft.
Net Weight	304 lbs.
Crated Weight	330 lbs.
Shipping Dimensions	62.8"W x 31.5"D x 38.2"H

Refrigeration Data

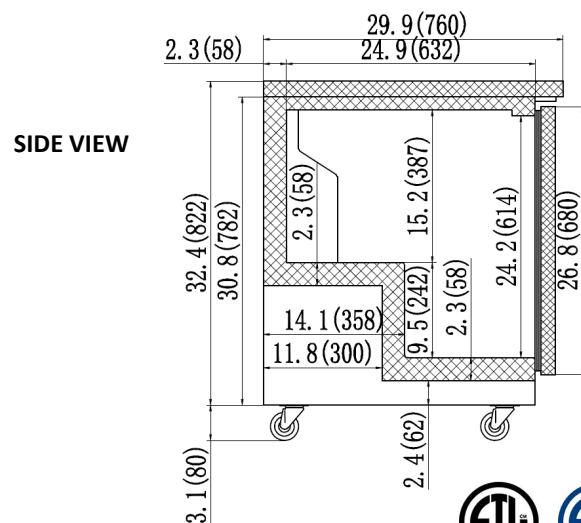
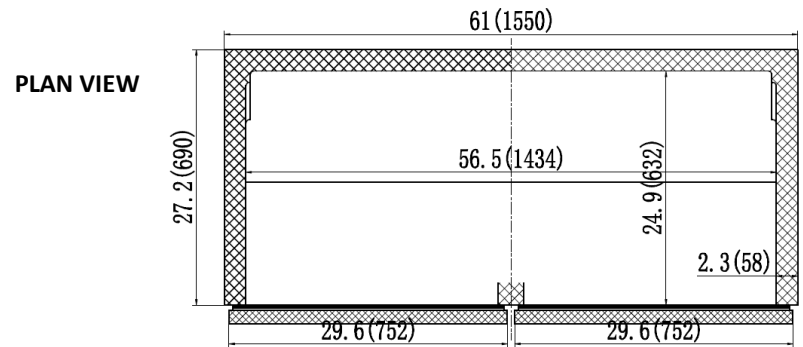
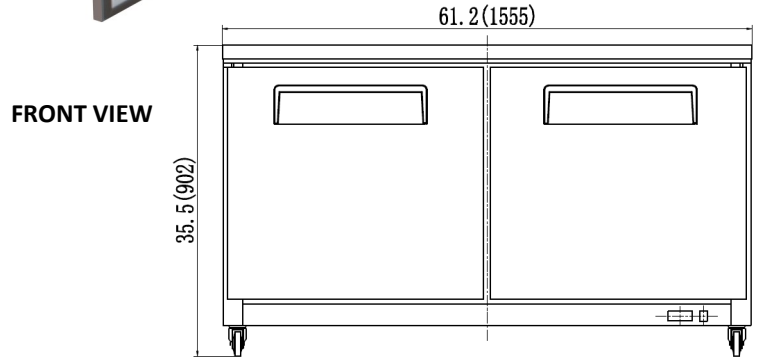
Temperature Range	33°F - 41°F
Refrigerant	R600A
Refrigerating System	Capillary Tube
Temperature Controller	Digital
Horsepower	3/8

Construction Data

Exterior Material	430 Series Stainless Steel
Interior Floor Material	304 Series Stainless Steel
Interior Wall Material	White ABS Liner
Insulation	2.4" CFC Free Polyurethane
Shelves	2 Heavy Duty Epoxy Coated

Electrical Data

Amps	3
Voltage/Frequency/Phase	115V/60Hz/1
Plug Type	NEMA 5-15P
Electrical Cord Length	10 ft.



Intertek



Intertek



ENERGY STAR

Valpro Commercial Refrigeration
203 Kelsey Ln., Building G
Tampa, FL 33634



Tel: 813-502-0300
1-888-VALPRO-8
www.valprorefrigeration.com