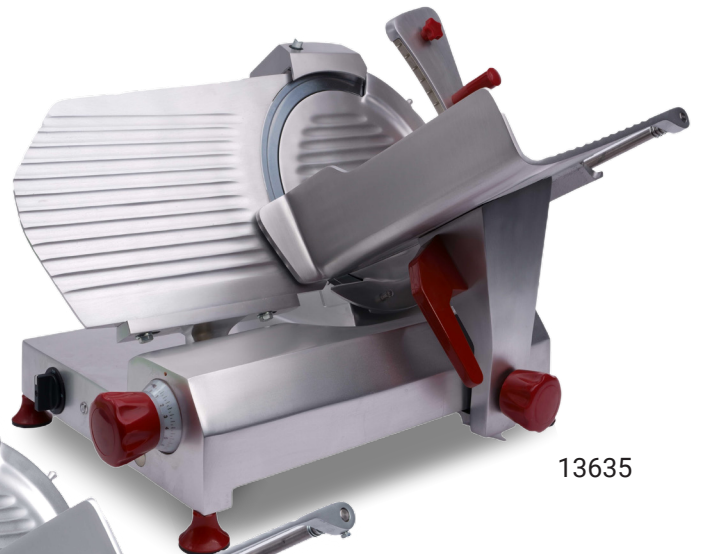


**Medium Duty Belt-Driven Meat Slicers**

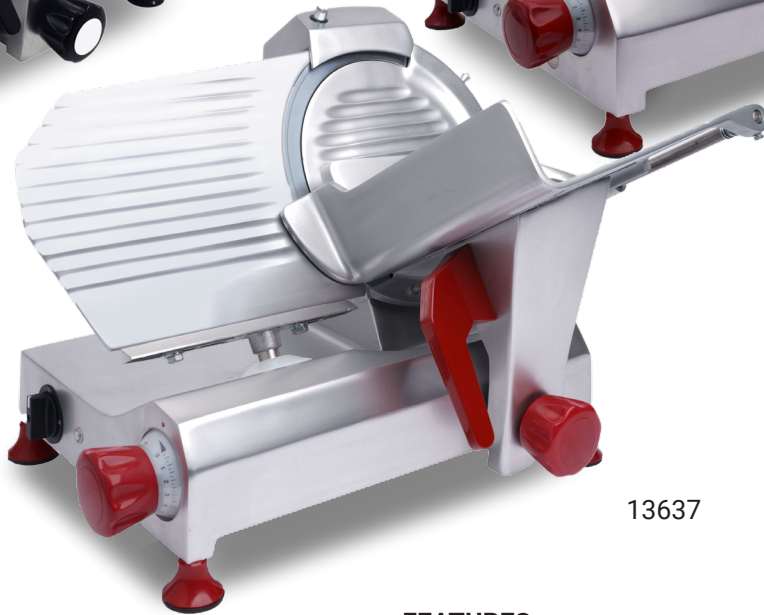
ITEM:	13629	13635	13637
MODEL:	MS-IT-300-IP	MS-IT-0330-L	MS-IT-0350-L



13629



13635



13637

**Easy and effortless**

Trento's medium duty belt-driven blade slicers offers exceptional cutting consistency and durability. Additionally has high horsepower motors that allow for effortless cutting of deli meats and vegetables. Easy to disassemble for quick cleaning.

**FEATURES:**

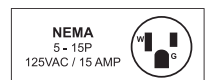
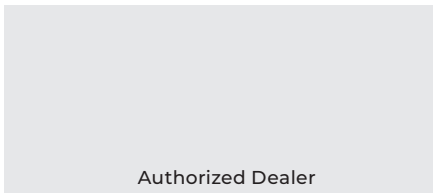
- Anodised aluminium alloy body
- High carbon steel blades are hard chromed
- Blades have hollow ground taper for extended sharpening and life
- Carriage moves smoothly on ball bearings
- Perfect for low volume operations

1-833-487-3686

[www.trentoequipment.com](http://www.trentoequipment.com)

[sales@trentoequipment.com](mailto:sales@trentoequipment.com)

Follow us on social media  
@trentoequipment



Technical Specification			
Features	12" Blade Size	13" Blade Size	14" Blade Size
Item	13629	13635	13637
Model	MS-IT-300-IP	MS-IT-0330-L	MS-IT-0350-L
Blade Size	12" (300 mm)	13" (330 mm)	14" (350 mm)
Cut Thickness	0" - 0.62" (0 - 16 mm)		
Cut Size	11.25" x 9" (285 x 228 mm)	11.25" x 9.84" (285 x 250 mm)	12.75" x 10.25" (323 x 260 mm)
Slicing Volume*	2 hours		
Cheese Slicing*	■ ■ ■		
RPM	280		286
Power	370 W / 0.5 hp		
Electrical	110V / 60Hz / 1Ph		
Net Weight	79.3 lb. (36 kg.)	85 lb. (38 kg.)	97 lb. (44.09 kg.)
Net Dimensions (WDH)	30.31" x 21.25" x 18.3" (770 x 540 x 465 mm)	30.31" x 21.65" x 18.3" (770 x 550 x 465 mm)	22.83" x 23" x 19" (580 x 584 x 482 mm)
Gross Weight	84 lb. (38 kg.)	86 lb. (39 kg.)	104 lb. (47.27 kg.)
Gross Dimensions (WDH)	28" x 25" x 21" (711 x 635 x 533 mm)		29" x 32" x 22" (736 x 821 x 558 mm)
Plug Type	NEMA 5 - 15P		

**TECHNICAL DRAWINGS AND DIMENSIONS**

\*Cheese Slicing Ratings ■■■ Not Recommended ■■■ Occasional ■■■ Low ■■■ Medium ■■■ High

\*Results may vary due to product consistency and temperature

