



Your Solutions Partner

# Specifications

F.O.B. Sedalia, Missouri 65301



**314S-3060-10R**

### OPTIONS:

- Drawers, standard on roller slides, stainless (**185**) or galvanized (**186**) liner, S/S face plate
- Drawers, deluxe on ball-bearing roller slides, stainless (**177**) or galvanized (**176**) liner, S/S face plate
- Lock (cylinder) and key for drawer - **LK**
- Tiers of drawers - **731** (S/S in & out), **732** (galv in S/S out)
- Intermediate shelves, galvanized or stainless steel
- Overhead shelves, specify 14, 16 or 18 gauge - **1056**
- Pan racks, table, wall or ceiling mounted
- Casters, swivel, two w/locks, 5" diameter rubber tires - **CAWT** or **CAWT-LK**
- Sinks, specify standard size - **180SP, 181SP, 182SP, 184SP**
- Bullet feet, stainless steel - **SS-FEETSP**
- Special height legs - **SP-HT-LEGSSP**
- Tubular cross rails - **T**

DUKE MANUFACTURING CO.

2305 N. Broadway

St. Louis, MO 63102

800.735.3853 Toll Free

314.231.5074 Fax

www.dukemfg.com

SS-1149 Worktables-9 1-5in Riser w1in at 45deg

### Approval Stamp(s):

### PRODUCT INFORMATION:

PROJECT: \_\_\_\_\_

ITEM: \_\_\_\_\_

QUANTITY: \_\_\_\_\_

MODEL:

**Duke Worktables - 9.5" Riser w/1-1/2" at 45° Return**

- Supreme** 14 gauge, 300 Series stainless steel tops  
Marine edge - front and ends.

### TOP:

- Heavy gauge, 14 gauge, 300 stainless steel
- 9.5" riser w/1-1/2" at 45° return
- Marine edge - front and ends
- (2) galvanized hat channels
- Vinyl cushion between channels and under-side of top

### ADJUSTABLE UNDERSHELF:

- Heavy gauge galvanized OR stainless steel, as specified
- Die-formed corners
- Set screws to lock in place

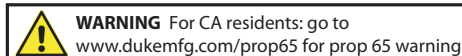
### LEGS:

- 1-5/8" diameter, stainless steel or galvanized tubular leg, as specified
- Non-marking, non-corrosive, adjustable plastic bullet feet for galvanized legs
- Stainless steel feet for stainless steel legs
- Galvanized leg sockets welded to hat channels

### AGENCY LISTING:



Specification subject to change



DUKE WORKTABLES - 9.5" RISER

Catalog No. AWT-10

A.I.A. File No. 35-C-13

REV B 10/15/2020

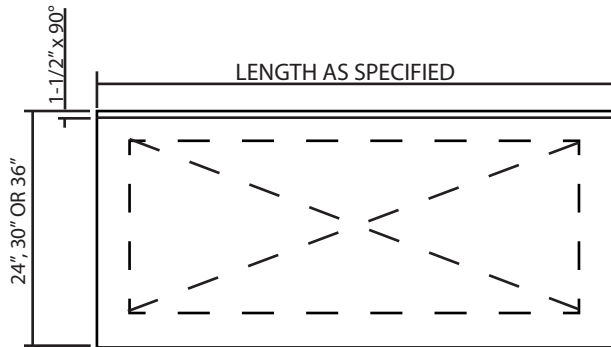
# Aerohot<sup>®</sup>

## DUKE WORKTABLES 9.5" RISER W/1-1/2" AT 45° RETURN

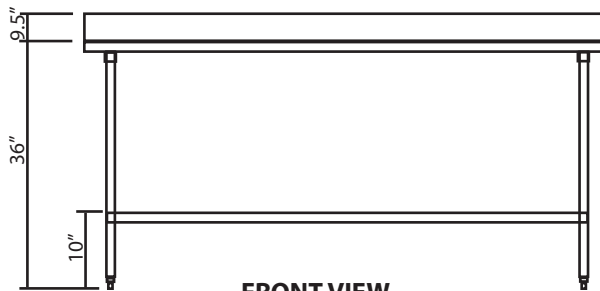
Specify length and width of table when ordering:  
**EX: 314S-2424-10R** = 14 gauge, 300 Series stainless table, with stainless undershelf, legs and feet. 24" width x 24" length, 9.5" riser "S" in model number denotes stainless steel undershelf, legs and feet.

**EX: xxS-xxx**

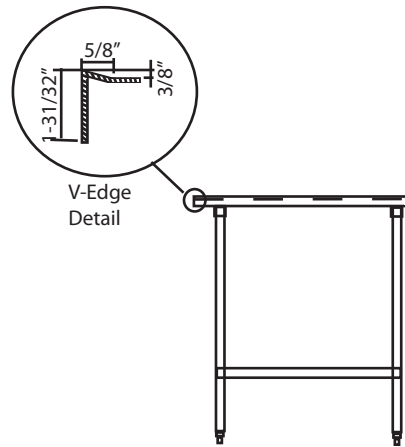
Model number without "S" denotes galvanized undershelf, legs and feet "T" prefix denotes tubular base. Model number without "S" denotes galvanized undershelf, legs and feet.



TOP VIEW



FRONT VIEW



SIDE VIEW

**DIMENSIONS:** All tables 36" / 91.4 cm high Freight Class: 70

Length		Model Numbers		
		Supreme		
in.	cm	24"W	30"W	36"W
24	61.0	314-2424-10R	314-3024-10R	n/a
30	76.8	314-2430-10R	314-3030-10R	n/a
36	91.4	314-2436-10R	314-3036-10R	314-3636-10R
48	122.9	314-2448-10R	314-3048-10R	314-3648-10R
60	152.4	314-2460-10R	314-3060-10R	314-3660-10R
72	182.9	314-2472-10R	314-3072-10R	314-3672-10R
84	213.4	314-2484-10R	314-3084-10R	314-3684-10R
96	243.8	314-2496-10R	314-3096-10R	314-3696-10R
108	274.3	314-24108-10R	314-30108-10R	314-36108-10R
120	304.8	314-24120-10R	314-30120-10R	314-36120-10R
132	335.3	314-24132-10R	314-30132-10R	314-36132-10R
144	365.8	314-24144-10R	314-30144-10R	314-36144-10R



**Duke Manufacturing Co.**  
 2305 N. Broadway  
 St. Louis, MO 63102

Phone: 314-231-1130  
 Toll Free: 1-800-735-3853  
 Fax: 314-231-5074

[www.dukemfg.com](http://www.dukemfg.com)