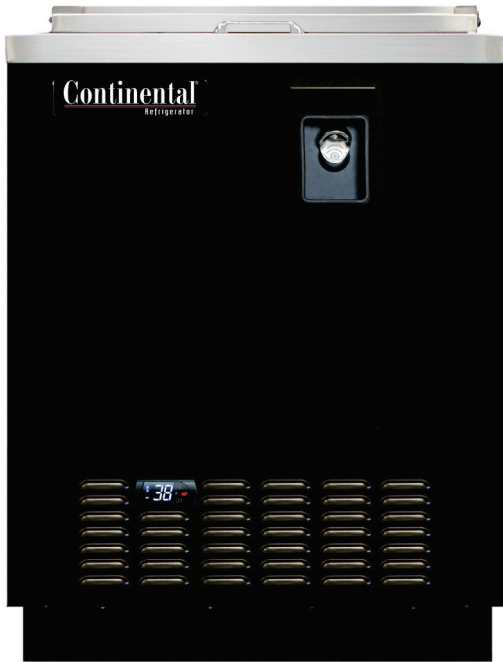


# BOTTLE COOLER (38°F - 41°F)

**Model: BC24N**

24" Bottle Cooler

Textured baked black enamel finish exterior with all stainless steel countertop and slide lid, heavy duty galvanized interior.



## Options and Accessories

(upcharge and lead times may apply)

|                              |                 |
|------------------------------|-----------------|
| Stainless steel interior     | Casters         |
| Additional wire bin dividers | Adjustable legs |
| Lid lock                     |                 |

Consult factory for other model configurations, options and accessories.

**Continental**  
Refrigerator



Project Name:

Model Specified:

Location:

Item No:

Quantity:

AIA #:

SIS #:

## Standard Model Features

### REFRIGERATION SYSTEM

Environmentally safe R-290 refrigerant

Performance rated **front breathing** refrigeration system

Automatic, hot gas condensate evaporator

Full length, extra large coil

Easily accessible and serviceable slide out condensing unit

### CABINET ARCHITECTURE

High density, non-CFC polyurethane foamed-in-place insulation

Heavy duty, epoxy coated, adjustable steel wire storage bin dividers

### MODEL FEATURES

Heavy duty cap opener with extra capacity, removable cap catcher

Easily accessible, front mounted cleanout drainage hose

Electronic control, off-cycle defrost

APPROVAL:

## Model Specifications

### DIMENSIONAL DATA

|  |                |
|--|----------------|
| Net Capacity (cubic feet)                                    | 4.8 (136 cu l) |
| 12 oz. Bottle Capacity (# cases)                             | 4 ½            |
| 12 oz. Can Capacity (# cases)                                | 7 ½            |
| Width, Overall (inches)                                      | 24 (610 mm)    |
| Depth, Overall (inches)<br>(including bumpers & cap catcher) | 29 ⅛ (740 mm)  |
| Height, Overall (inches)                                     | 34 ¾ (883 mm)  |
| Number of Slide Lids   | 1              |
| Number of Bin Dividers                                       | 2              |

### REFRIGERANT DATA

|                             |      |
|-----------------------------|------|
| Condensing Unit Size (H.P.) | ⅓    |
| Capacity (BTU per hour)*    | 1800 |

### ELECTRICAL DATA

|  |                     |
|--|---------------------|
| Voltage (International)                        | 115/60/1 (220/50/1) |
| Feed Wires (including ground)                  | 3                   |
| Total Amps (International)                     | 2.2 (0.9)           |
| 10 ft. Cord/Plug [attached]<br>(International) | Yes<br>(No)         |

### SHIPPING DATA

|                          |                |
|--------------------------|----------------|
| Weight - (pounds)        | 217 (98 kg)    |
| Height - Crated (inches) | 40 ¼ (1022 mm) |
| Width - Crated (inches)  | 33 (838 mm)    |
| Depth - Crated (inches)  | 30 ¼ (768 mm)  |

\* Rating @ +20°F evaporator, 90°F ambient  
Figures in parentheses reflect metric equivalents rounded to the nearest whole unit.



Equipped with one NEMA-5-15P Plug  
(varies by country)

**Continental**  
Refrigerator

Toll-Free: 800-523-7138  
Phone: 215-244-1400  
Fax: 215-244-9579

539 Dunksferry Road  
Bensalem, PA 19020  
[www.continentalrefrigerator.com](http://www.continentalrefrigerator.com)

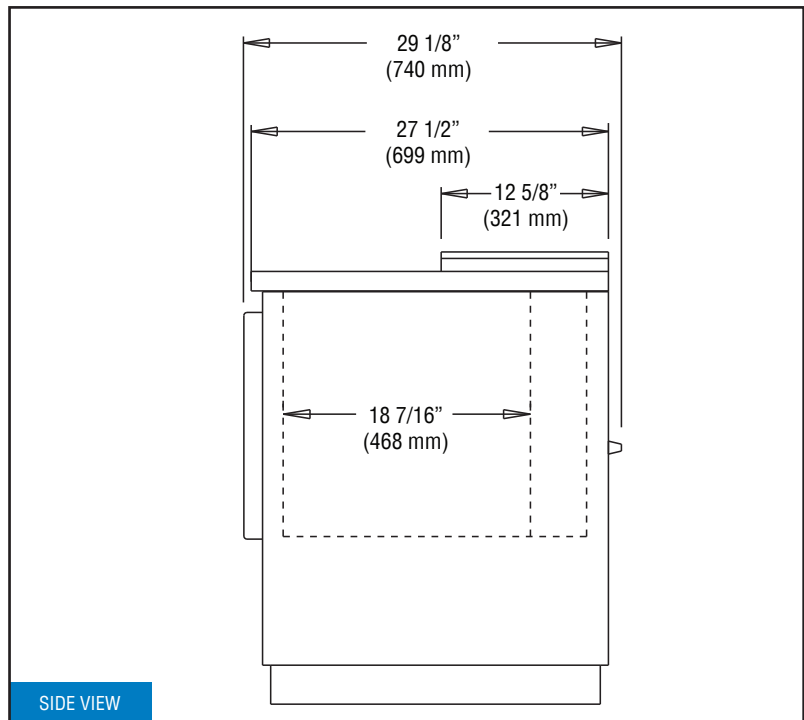
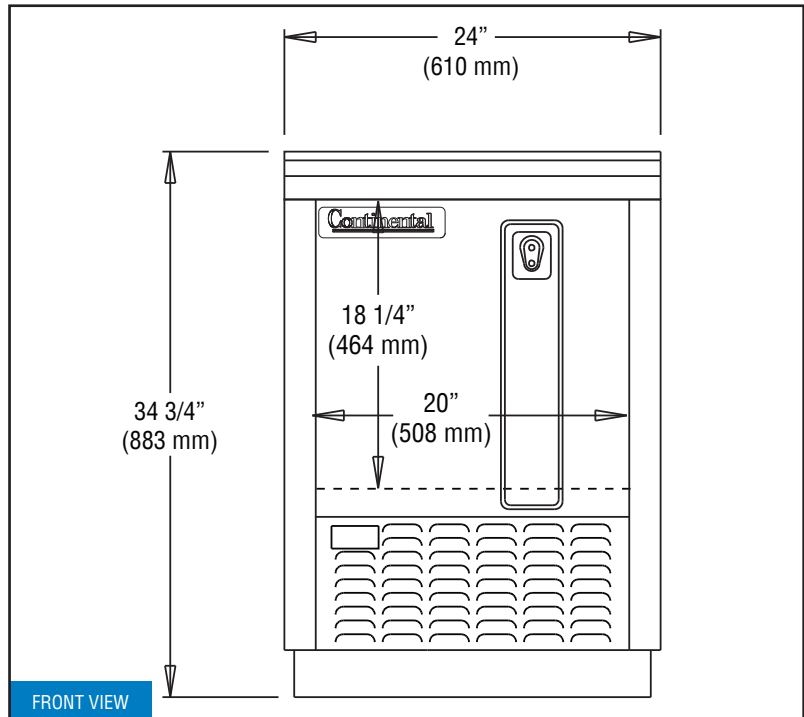
Due to our continued efforts in developing innovative products, specifications subject to change without notice.



PROUDLY  
DESIGNED & ASSEMBLED  
IN THE U.S.A.

© Copyright 2021. Continental Refrigerator.  
A Division of National Refrigeration & Air Conditioning Products, Inc.

## Model Plan Views



**IMPORTANT NOTE:** Model is completely front breathing and takes in and exhausts air through the front grill. A clearance of 1" on the back and 3" on the sides is recommended.

REVISED: 5/16/2022