



Outperform every day.™

Project:
Item Number:
Quantity:

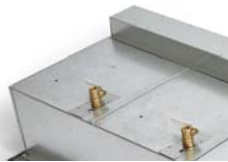
Two-Well Modular Hot Drop-ins with Marine Grade Wells

The Vollrath Company, L.L.C.

TWO-WELL MODULAR HOT DROP-INS WITH MARINE GRADE WELLS



Bottom view



DESCRIPTION

Vollrath's Two-Well Modular Hot Drop-ins with Marine Grade Wells keep hot foods at proper serving temperatures. They are designed for top-mount installation and do not require hard-wiring.

SHORT DESCRIPTION

Two-well hot-drop-in, full-size wells are marine-grade stainless steel, removable bottom panel, standard or manifold drains, insulated on all non-exposed sides, cord with plug, stainless steel remote control panel, mounting clips.

Note: Orders for drop-ins cannot be canceled or returned.

Note: Drop-in meets NSF4 performance standards only when using moist heat. Operation with water is required for even heating of the food product.

Item Numbers			Description	
Standard	Manifold	Manifold w/ Auto-Fill	Control	Voltage
1000 Watts Per Well				
3639901HD	3639951HD	3639961HD	Infinite	120
3639911HD	3639971HD	3639981HD	Thermostatic	
3640001HD	3640051HD	3640061HD	Infinite	208-240
3640011HD	3640071HD	3640081HD	Thermostatic	
625 Watts Per Well				
36399HD	3639950HD	3639960HD	Infinite	120
3639910HD	3639970HD	3639980HD	Thermostatic	
36400HD	3640050HD	3640060HD	Infinite	208
3640010HD	3640070HD	3640080HD	Thermostatic	
36472HD	3647250HD	3647260HD	Infinite	240
3647210HD	3647270HD	3647280HD	Thermostatic	

FEATURES

- Drawn wells are marine grade stainless steel (SAE Type-316).
- Removable panel at the bottom of each well for service access
- Include gasket for under drip edge
- Standard drain is ½" (1.3 cm) with individual well ball valves
- Manifold drain is 1" (2.5 cm) copper tubing with master manifold shut off
- Insulated on all sides, including between each well
- Includes 6' (1.8 m) cord with plug. Does not require hard-wiring
- Stainless steel control panel with individual controls and power indicator light for each well
- Control panel has 4' (121.9 cm) tethered connection for flexible mounting locations
- Includes standard mounting clips for use on counters up to 3" (7.6 cm) thick for easy installation
- Accepts full-size and fractional pans up to 6" (15.2 cm) deep
- Adapter bars are recommended when using fractional pans

WARRANTY

All models shown come with Vollrath's two-year warranty against defects in materials and workmanship. For full warranty details, please refer to www.Vollrath.com.

ACCESSORIES

- Sheet pan adapter available. Item No. 19186.

CLEARANCE AND ENVIRONMENT REQUIREMENTS

- Zero-clearance installation
- Indoor use only. Room temperature and HVAC can effect performance temperatures

Agency Listings



Due to continued product improvement, please consult www.vollrath.com for current product specifications.

Approvals	Date



Outperform every day.™

www.vollrath.com

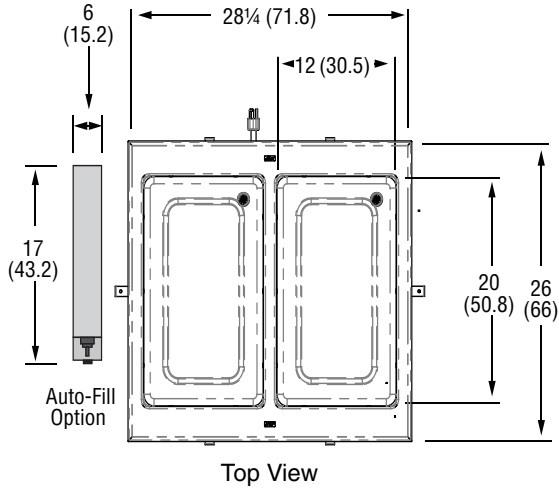
The Vollrath Company, L.L.C.

1236 North 18th Street
Sheboygan, WI 53081-3201 U.S.A.
Main Tel: 800.624.2051 or 920.457.4851
Main Fax: 800.752.5620 or 920.459.6573
Customer Service: 800.628.0830
Canada Customer Service: 800.695.8560

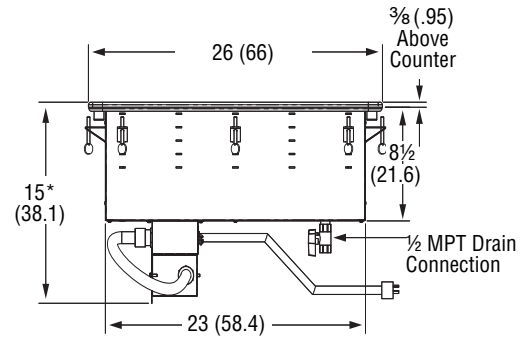
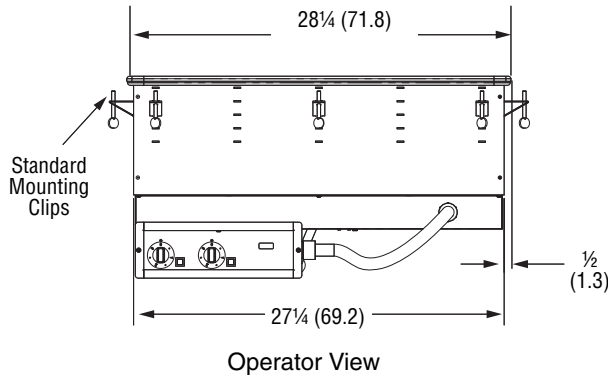
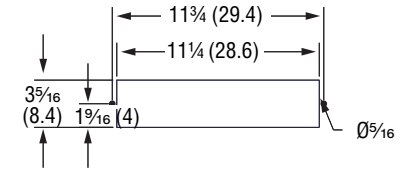
Technical Services
techservicereps@vollrathco.com
Induction Products: 800.825.6036
Countertop Warming Products: 800.354.1970
All Other Products: 800.628.0832

TWO-WELL MODULAR HOT DROP-INS WITH MARINE GRADE WELLS

DIMENSIONS (Shown in inches (cm))



Control Panel Cutout



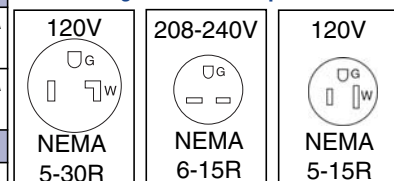
*Manifold drain adds 6 1/2 (16.5) to overall height

ELECTRICAL SPECIFICATIONS

Standard	Manifold	Manifold w/ Auto-Fill	Control	Cutout Dimension IN (CM)	Voltage	Amps	Plug
1000 Watts Per Well							
3639901HD	3639951HD	3639961HD	Infinite	27 1/2 x 25 1/4 (69.9 x 64.1)	120	16.7	NEMA 5-30P
3639911HD	3639971HD	3639981HD	Thermostatic				
3640001HD	3640051HD	3640061HD	Infinite		208-240	7.2-8.3	NEMA 6-15P
3640011HD	3640071HD	3640081HD	Thermostatic				
625 Watts Per Well							
363999HD	3639950HD	3639960HD	Infinite	27 1/2 x 25 1/4 (69.9 x 64.1)	120	10.4	NEMA 5-15P
3639910HD	3639970HD	3639980HD	Thermostatic				
364000HD	3640050HD	3640060HD	Infinite		208	6.0	NEMA 6-15P
3640010HD	3640070HD	3640080HD	Thermostatic				
364722HD	3647250HD	3647260HD	Infinite		240	5.2	
3647210HD	3647270HD	3647280HD	Thermostatic				

Note: Cutout must have a 7/8" (2.2 cm) corner radius.

Straight Blade Receptacles



NOTICE: Do NOT modify the cord or plug on the drop-in. Modifying any component may damage the drop-in or cause injury, and will void the warranty.



Outperform every day.™

www.vollrath.com

The Vollrath Company, L.L.C.

1236 North 18th Street
 Sheboygan, WI 53081-3201 U.S.A.
 Main Tel: 800.624.2051 or 920.457.4851
 Main Fax: 800.752.5620 or 920.459.6573
 Customer Service: 800.628.0830
 Canada Customer Service: 800.695.8560

Technical Services
techservicereps@vollrathco.com
 Induction Products: 800.825.6036
 Countertop Warming Products: 800.354.1970
 All Other Products: 800.628.0832