

- Improve the flow and function of your space by having refrigerated items where you need them most
- Solid door models
- Push carts through the unit
- LED lighting



UCRE733-SS31A



UCRE766-SS71A

Model	Description	Voltage/Hz/Amps	Shipping Weight
UCRE733-SS31A	Roll-thru Refrigerator with Single Solid Door	115v / 60hz / 9.6	463 lb
UCRE766-SS71A	Roll-thru Refrigerator with Double Solid Door	115v / 60hz / 19.2	683 lb

Specifications

UCRE733-SS31A dimensions: 88 1/2" H x 33 7/8" W x 53 5/8" D

UCRE766-SS71A dimensions: 88 1/2" H x 66 7/8" W x 53 5/8" D

UCRE733-SS31A: Environmentally friendly R290 refrigerant - 3.5 oz

UCRE766-SS71A: Environmentally friendly R290 refrigerant - 7.0 oz

UCRE733-SS31A: Factory pre-wired for dedicated outlet, 11 ft cord and plug included NEMA 5-15P

UCRE766-SS71A: Factory pre-wired for dedicated outlet, 11 ft cord and plug included NEMA 5-20P

UCRE733-SS31A volume: 35.8 cu ft

UCRE766-SS71A Volume: 79 cu ft

AISI 304 stainless steel interior and exterior with lock

Autodefrost

CFC-free high density polyurethane insulated cabinet

Electronic digital temperature control with alarms

Epoxy coated, sealed evaporator eliminates potential of corrosion

Fixed stainless steel loading ramp

High efficiency compressor, top mount

High efficiency evaporator coil & condenser

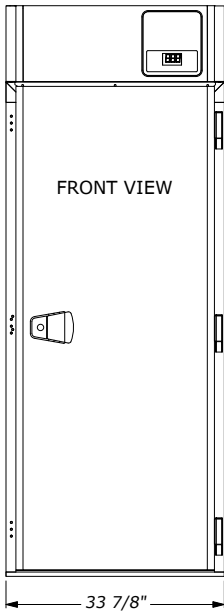
NSF/ANSI Standard 7 compliant

Temperature range: 28°F to 46°F

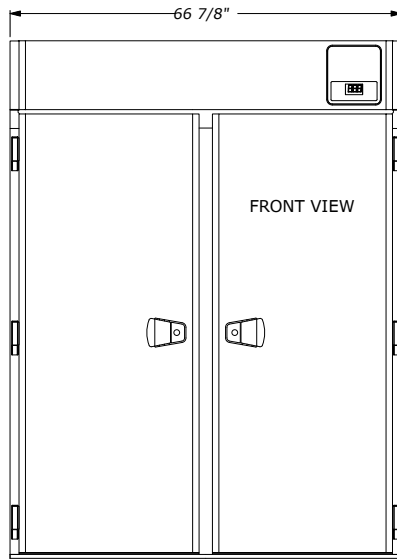


Product Specifications • Roll-Thru Refrigerators

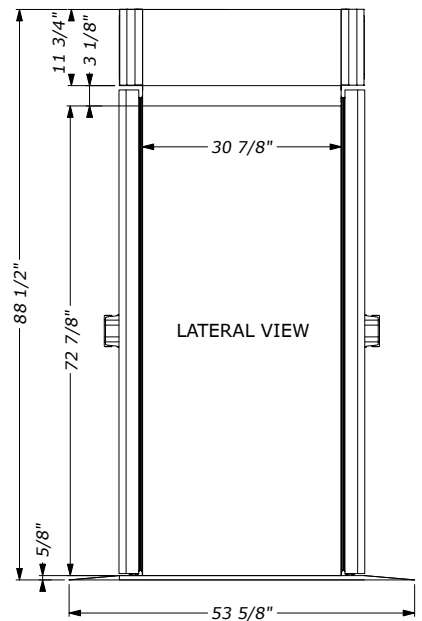
Front UCRE733 (Open)



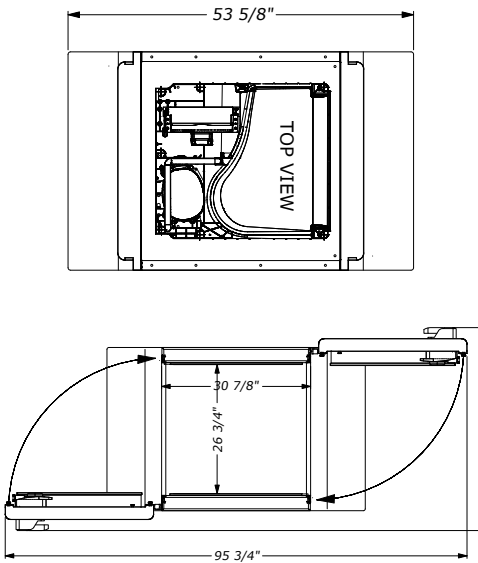
Front UCRE766 (Open)



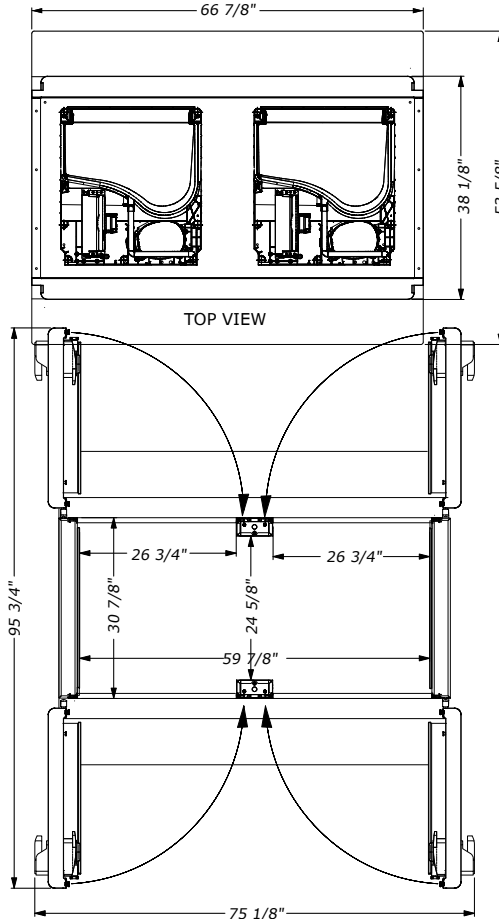
Side UCRE733/766



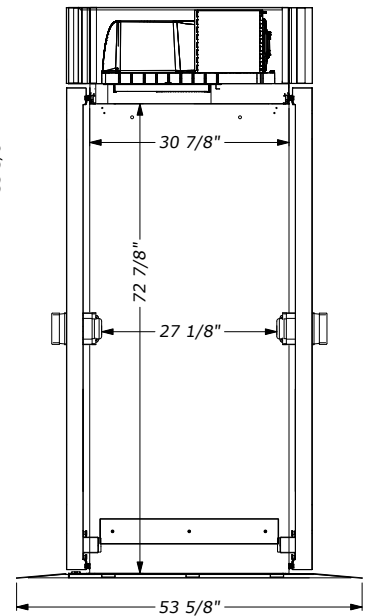
Top UCRE733



Top UCRE766



Back UCRE733/766



Commercial Warranty

3 Year (parts & labor) / 5 year sealed system (parts)

See complete warranty for details

