

# MULTI-FUNCTION

**NORA  
CHIARA**



**ARCOBALENO®**  
PASTA EQUIPMENT

# AMF230/240

MIXER + SHEETER + CUTTER



## STANDARD FEATURES

- Great for restaurants, chefs, gourmet shops and food services
- Industrial grade machine
- Adjustable sheeting rollers
- Hand rolled dough sheet to desired thickness
- Standard cutters include 2mm spaghetti, 6mm tagliatelle, 8mm fettuccine & 15mm pappardelle
- Cost-effective and easy to operate
- Factory and on-location training. The Only Full-Service Pasta Machine Manufacturer in North America!



RESTAURANT FAVORITE!

**NORA**  
**AMF230**  
Sheeter & Cutter

## OPTIONAL FEATURES & ACCESSORIES

- Pasta trays - Perforated - Dim: 15.5"W x 23.5"D x 2.75"H
- Pasta trays - Solid - Dim: 15.5"W x 23.5"D x 2.75"H
- APC20 Mobile pasta cart with 20 trays
- Optional pasta cutters sizes (in mm):
 

1.25, 1.5, 2, 2.5,	4, 5, 6,	6, 8, 10,	12, 15, 18, 20, 25
┌──────────┐	┌────────┐	┌────────┐	┌──────────┐
SPAGHETTI / CHITARRA	TAGLIATELLE	FETTUCCINE	PAPPARDELLE

**CHIARA**  
**AMF240**  
Mixer, Sheeter & Cutter

### ■ WARRANTY

**One Year:** For more information visit [arcobalenollc.com/warranty.html](http://arcobalenollc.com/warranty.html)



### ■ TRY BEFORE YOU BUY

In an effort to ensure success, we maintain a test kitchen where you can have your very own recipe tested for quality! Call for details.



# MULTI-FUNCTION

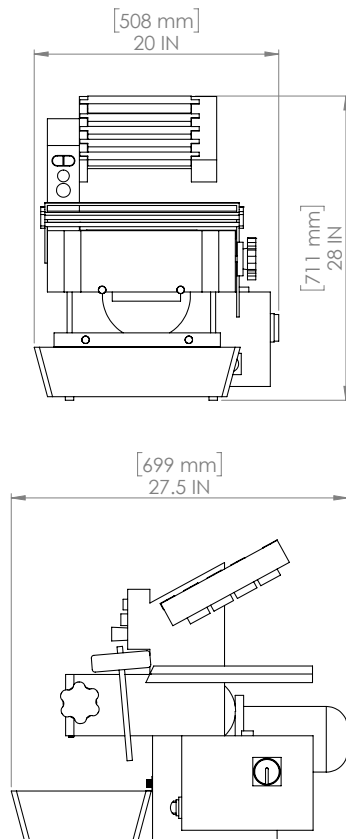


# AMF230/240

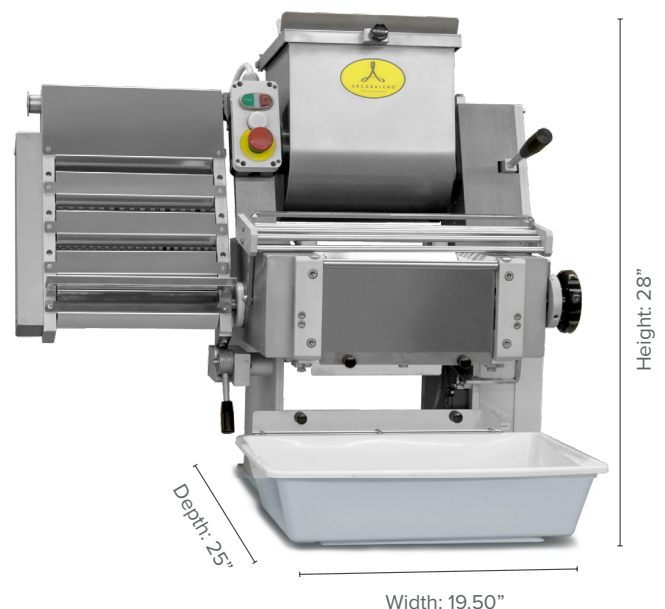
## TECHNICAL SPECIFICATIONS

<b>Model</b>	AMF230	AMF240
<b>Dough Sheet Width</b>	9"	9.50"
<b>Mixer Volume</b>	N/A	18 lbs/batch
<b>Pasta Cutter</b>	4 Cuts (2mm, 6mm, 8mm, 15mm)	4 Cuts (2mm, 6mm, 8mm, 15mm)
<b>Electrical Power</b>	230V/1/60Hz (5 Amps @ 230V)	230V/1/60Hz (5 Amps @ 230V)
<b>Nema Plug</b>	6-15P	6-15P
<b>Machine Dimension</b>	20"W x 27.50"D x 28"H	40"w x 32"D x 35"H
<b>Shipping Dimension</b>	28"W x 28"D x 35"H	28"W x 28"D x 46"H
<b>Net Weight</b>	190 lbs	264 lbs
<b>Shipping Weight</b>	260 lbs	300 lbs
<b>Shipping Class</b>	70	85

AMF230 Sheeter & Cutter



AMF240 Mixer, Sheeter & Cutter



CAD file available on KCL or contact factory 717-394-1402. | Specifications subject to change without notice | © Copyright 2024 Arcobaleno® Pasta Machines, LLC