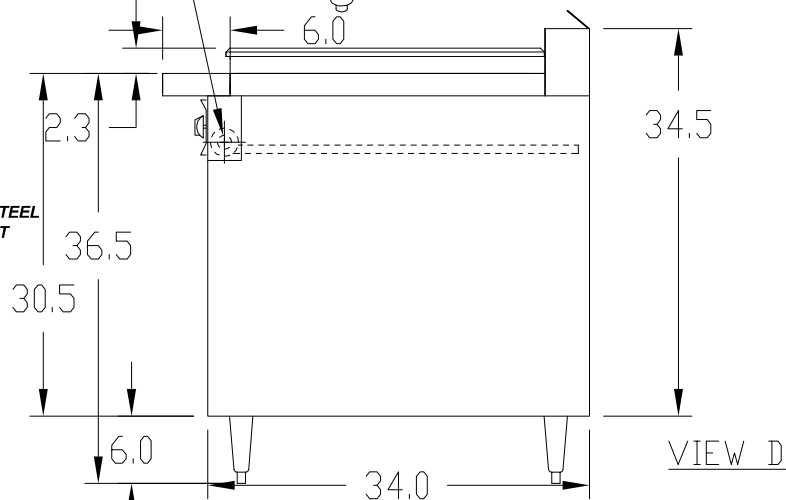
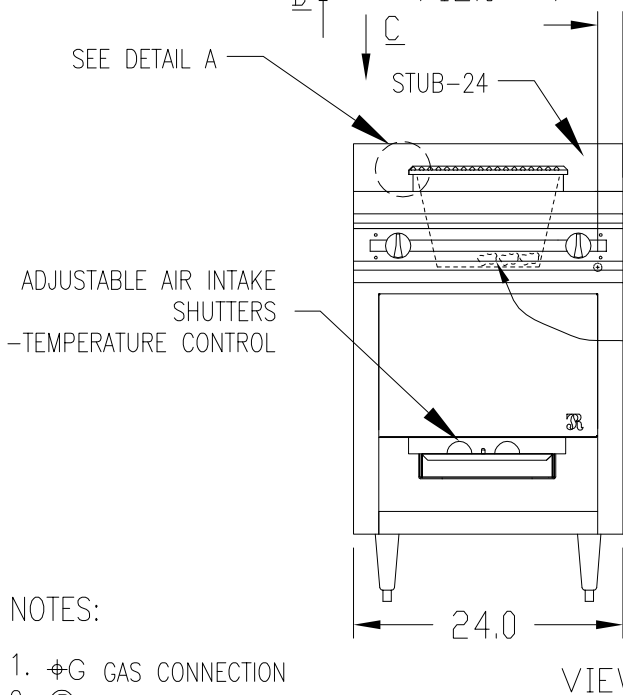
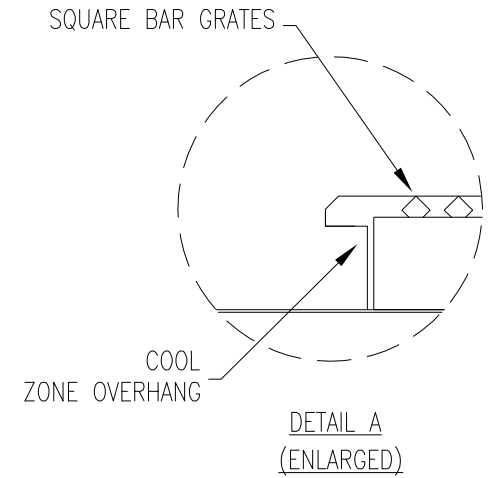
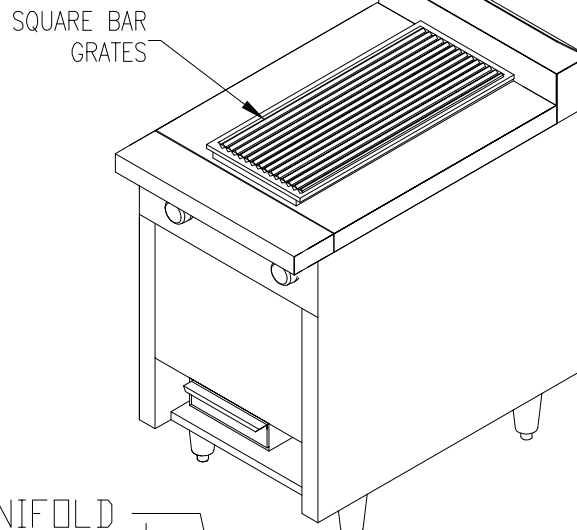
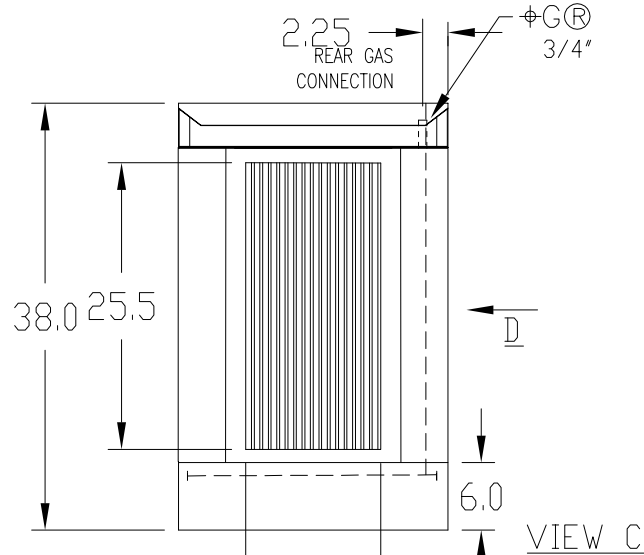


THIS DRAWING IS THE PROPERTY OF JADE PRODUCTS CO. NO PART OF THIS DOCUMENT MAY BE COPIED OR USED WITHOUT THE WRITTEN PERMISSION OF JADE PRODUCTS CO.

REVISIONS					
REV	DESCRIPTION	ECN	BY	DATE	APPROVED
C	UPDATED	XX	SMW	02.02.09	


ITEM	QTY	MODEL #	DESCRIPTION	BTU/HR	AMP
1	1	JTRH-24SB	INFRARED BROILER	70,000	N/A



GAS TYPE:	
ELEVATION:	
TO BE SPECIFIED BEFORE MFG.	

NOTES:

1. ⊕G GAS CONNECTION
2. Ⓡ REGULATOR
3. GAS SHUT-OFF VALVES AND CONNECTIONS SUPPLIED BY OTHERS

 Jade Products Company 2650 Orbiter St Brea, CA 92821	UNLESS OTHERWISE NOTED DIMENSIONS ARE IN INCHES AND TOLERANCES: .X±.25 .XX±.050, ANGLES ±1°			DESC SATAY 24 UNDERFIRED INFRARED BROILER	
	MATERIAL	- DRAWN	SMW	02.01.06	FOR for
		- CHECKED			SIZE A
	FINISH	- APPROVED			DWG NO JTRH-24SB
				SCALE	SHEET 1 OF 1