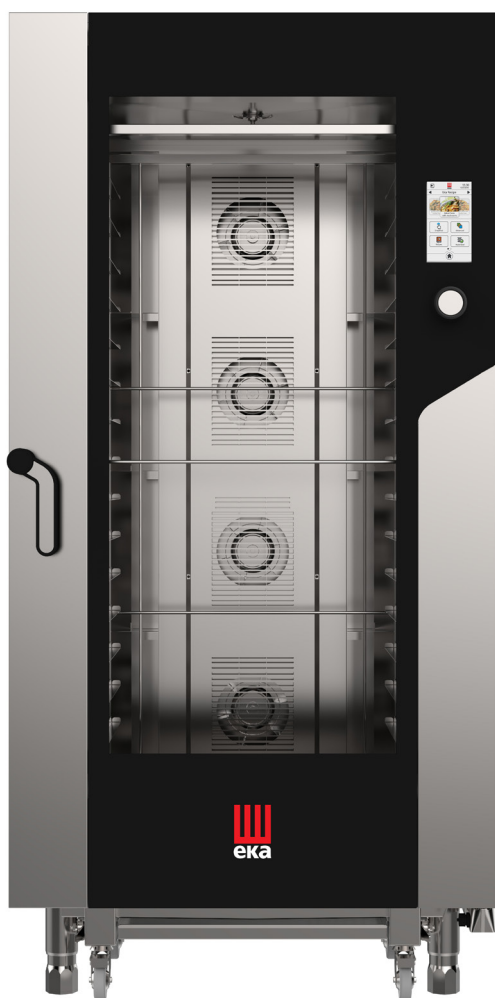




# MKFA 1664 TS

SIXTEEN-TRAY, FULL-SIZE, ROLL-IN COMBI OVEN  
WITH TOUCH SCREEN AND DIAL CONTROLS



## FEATURES

- (16) 18" x 26" tray capacity with 3 5/32" pitch
- (32) Half-size (13"x18") tray capacity side-by-side (on grids)
- Roll-in trolley *INCLUDED*
- Two-year parts & labor warranty *INCLUDED*
- Wi-Fi connectivity *INCLUDED*
- Water/Drain Installation kit *INCLUDED*
- (16) 18" x 26" stainless-steel grids *INCLUDED*
- Integrated automatic wash system *INCLUDED*
- Removable multi-point core probe *INCLUDED*
- Temperature range 86°F to 518°F
- (4) Bi-directional auto-reversing fans
- 500 program capacity (up to 10 steps each)
- Pre-installed/customizable programs
- AISI 304 stainless-steel cooking chamber
- Right-hinged (left-opening) door
- Door rests at 60°, 90°, 120°, 180°
- Adjustable feet
- Extended warranty options available

Conforms to the following standards:

- Standard safety UL 197-2014
- Sanitation NSF / ANSI 4-2014
- Sanitation NSF / ANSI 170-2010
- Sanitation NSF / ANSI 51-2012
- CSAC 22.2 No. 109-M1981



Tecnoeka, Inc.  
3385 Denver Drive  
Denver, North Carolina 28037

Web Site: [www.tecnoeka.com](http://www.tecnoeka.com)  
E-mail: [info.usa@tecnoeka.com](mailto:info.usa@tecnoeka.com)  
Toll Free: 888-626-EKA1 (3521)



Printed in the U.S.A.  
March 2021

# MKFA 1664 TS

## DIMENSIONS NET AS SHIPPED

	NET	AS SHIPPED
Width	36.610 in	45 in
Depth	40.790 in	50 in
Height	74.800 in	82 in
Weight	574.6 lb	628.0 lb

## UTILITY CONNECTIONS

All utility connections should be within three feet of the centerline of the back of the oven when installed.

Water supply: 1/2" cold-water supply (max 86°F) with supplied 1/2" NPT, 3/4" NPT or 3/4" GH/NHR connection.

Water pressure: Max supply pressure before regulator: 125psi. Pressure at oven water inlet: 15-30 psi (install kit contains one 30psi regulator).

Drain size should be a minimum of 1" diameter and

## ELECTRICAL

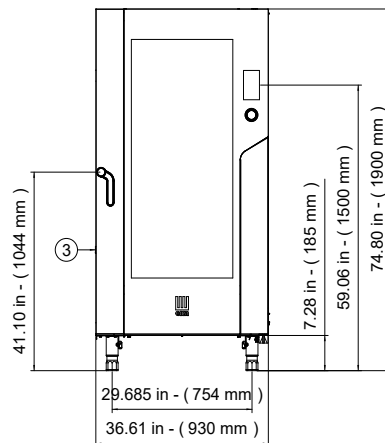
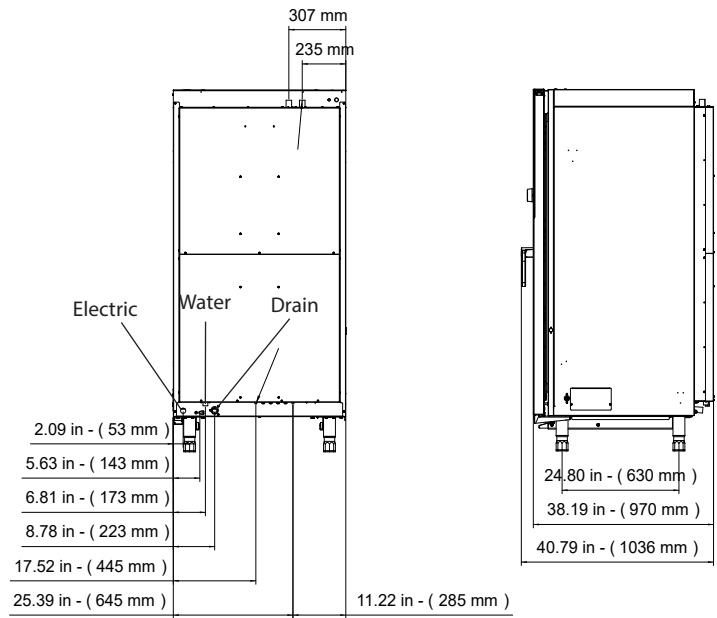
Power:	35.1-40.5 kw
Frequency:	60 Hz
Voltage (V):	AC 208/240v 3-phase
L1:	88 amps
L2:	85 amps
L3:	85 amps
Cable:	NOT SUPPLIED
Plug:	NOT SUPPLIED
Breaker size:	110 amp (recommended)

## WATER QUALITY SPECIFICATIONS

Free Chlorine:	< 0.1	ppm
Hardness:	30-70	ppm
Chloride:	< 30	ppm
Total Dissolved Solids:	50-125	ppm
Silica:	< 12	ppm
pH:	7.0 - 8.5	
Chloramine:	< 0.1	ppm
Alkalinity:	< 150	ppm (CaCO <sub>3</sub> )

## AVAILABLE OPTIONS AND ACCESSORIES

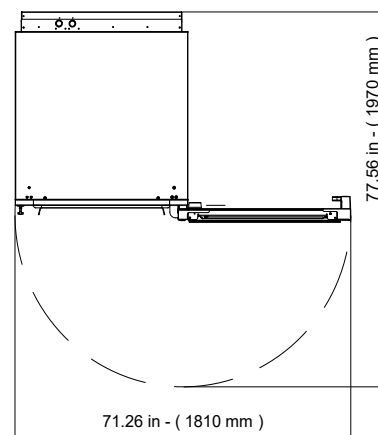
Stainless-steel, roll-in/out trolley	MKCRA16 -TS
18" x 26" stainless-steel grid	EKGAFSX
Sous-vide cooking probe	MKSCSV
Detergent with rinse aid	MKDET
Spray kit with support and tube	EKKD



\* Oven must be installed a minimum of 19.7" (500 mm) from any significant source of heat and/or grease (for example: fryers, burners, kettles, open flames, etc.)

Other surfaces must maintain a minimum of 3.94" (100mm) clearance.

Tecnoeka is not responsible for damage to the oven caused by any external heat source.



Tecnoeka, Inc.  
3385 Denver Drive  
Denver, North Carolina 28037

Web Site: [www.tecnoeka.com](http://www.tecnoeka.com)  
E-mail: [info.usa@tecnoeka.com](mailto:info.usa@tecnoeka.com)  
Toll Free: 888-626-EKA1 (3521)



Printed in the U.S.A.  
March 2021