



PROJECT: _____
 ITEM # _____ QTY: _____
 MODEL # _____
 AIA # _____ SIS # _____

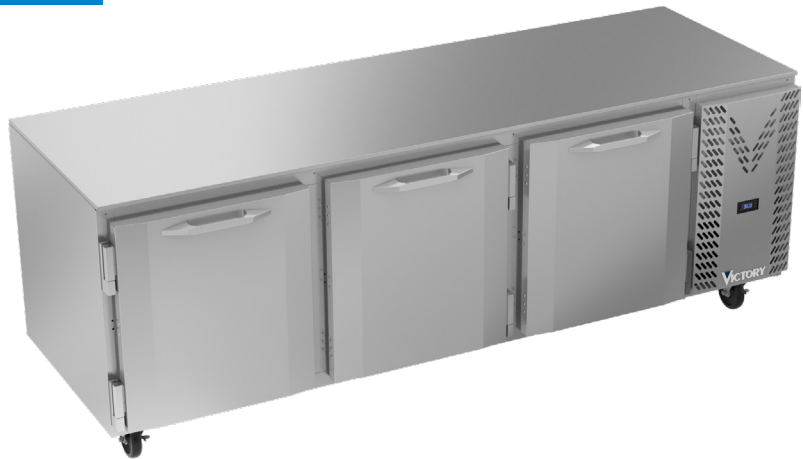
UNDERCOUNTER REFRIGERATOR

VUR93HC



EXCLUSIVE WARRANTY

- ▶ 7 Year Parts, Labor and Compressor
- ▶ Exclusive 2 Year Warranty On Magnetic Door Gaskets
- ▶ Lifetime Warranty On Handles & Hinges (parts only)



CABINET CONSTRUCTION

- Stainless Steel Exterior (galvanized back and bottom)
- Aluminum Interior
- Stainless Steel 20 Gauge Door
- One Piece, Snap-In Magnetic Door Gaskets
- 6" Casters Two With Brakes
- 8' Cord And Plug (see electrical data for details)

FEATURES

- Full Electronic Control
- Stay-Open Door Feature For Easy Product Loading
- Heavy-Duty, Spring Loaded Cartridge Hinges
- Low Profile Horizontal Door Handles
- Epoxy Coated Shelves (2 per section)

REFRIGERATION

- Refrigeration System Uses R-290 Refrigerant To Comply With All Environmental Concerns
- Side Mounted Refrigeration System
- Adaptive Defrost For Reduced Energy Consumption And More Consistent Product Temperatures
- Epoxy Coated Evaporator Coil
- Refrigerator Capable Of Maintaining Product Temperature 36°F To 38°F



Please Verify Qualifying Units By Visiting:
www.energystar.gov/cfs

OPTIONS & ACCESSORIES

- | | | |
|--|--|---|
| <ul style="list-style-type: none"> • Stainless Steel Interior • Stainless Steel Back • Door Locks • Door Swing Orientation (at time of order) • Cutting Board | <ul style="list-style-type: none"> • Additional Shelves • Shelf Clips (set of 4) • Casters: 3", Roller Kit, Low Profile • 6" Legs Or 6" Seismic Legs • Correctional Package | <ul style="list-style-type: none"> • Remote Models* (6" legs only)
 (refrigerant must be specified at time of order, see note on back on page) |
|--|--|---|

3779 Champion Blvd, Winston-Salem, NC 27105

ph: (888) 845-9800 | fax: (800) 253-5168

Sales@VictoryRefrigeration.com | VictoryRefrigeration.com

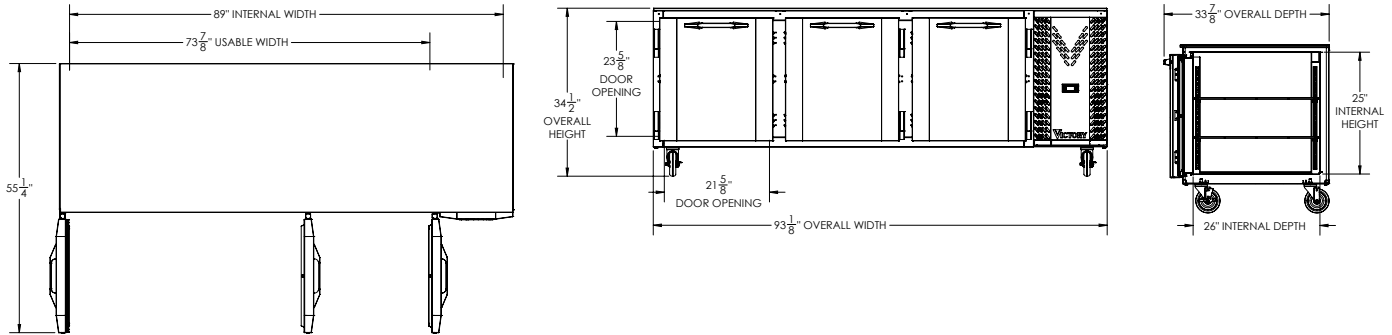
Rev. 7/19/24 Printed in U.S.A.

APPROVAL: _____ DATE: _____

UNDERCOUNTER REFRIGERATOR

VICTORY UNDERCOUNTER REFRIGERATOR

VUR93HC



We reserve the right to change specifications and product design without notice. Such revisions do not entitle the buyer to corresponding changes, improvements, additions or replacements for previously purchased equipment. Dimensional tolerances +/- 1/4". Metric dimensions (MM)

3" Bottom & 2" Rear clearance is required

CHARACTERISTICS		ELECTRICAL DATA		SHIPPING DETAILS	
Net Capacity (cubic ft.)	29.7	Cabinet Voltage	115/60/1	Height	38"
Width, Overall (in.)	93 1/8"	Total Amperes	5.0	Width	96"
Depth, Overall (with handle)	33 7/8"	NEMA Plug (B' cord)	5-15P	Depth	42"
Height Overall (6" casters)	34 1/2"	REFRIGERATION DATA		Crated Weight	468 lbs
Depth, Door Open 90°	55 1/4"	Condensing Unit Size, HP	1/3	*NOTE: Remote units are field wired and comes with 6" legs. Refrigerant must be specified at time of order.	
Door Opening (in.)	21 5/8" x 23 5/8"	Refrigerant*	R-290		
No. Of Doors/Shelves	3/6	Capacity (BTU/HR) (100°F/20°F)	2630		
		Heat Rejection (BTU/HR)	3945		
		Charge (lbs/grams/ounces)	0.3086 / 140 / 4.94		

3779 Champion Blvd, Winston-Salem, NC 27105 | ph: (888) 845-9800 | fax: (800) 253-5168

Sales@VictoryRefrigeration.com | VictoryRefrigeration.com

Rev. 7/19/24 Printed in U.S.A.

