

- Imagine the draft tower possibilities to match a theme or décor.
- Design and build a custom tower around Kool-Rite™.
- Kool-Rite™ technology with patented cooling blocks and leak proof shanks.
- All stainless steel contact with the beer for the ultimate in draft purity.

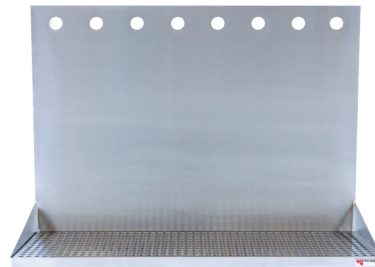
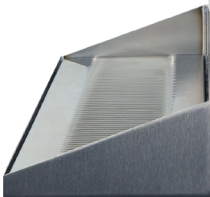


**1735**



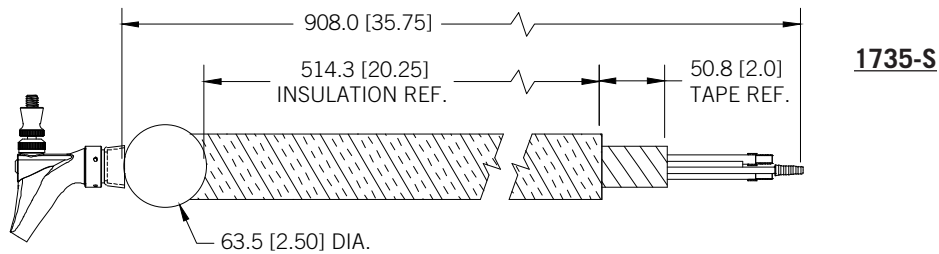
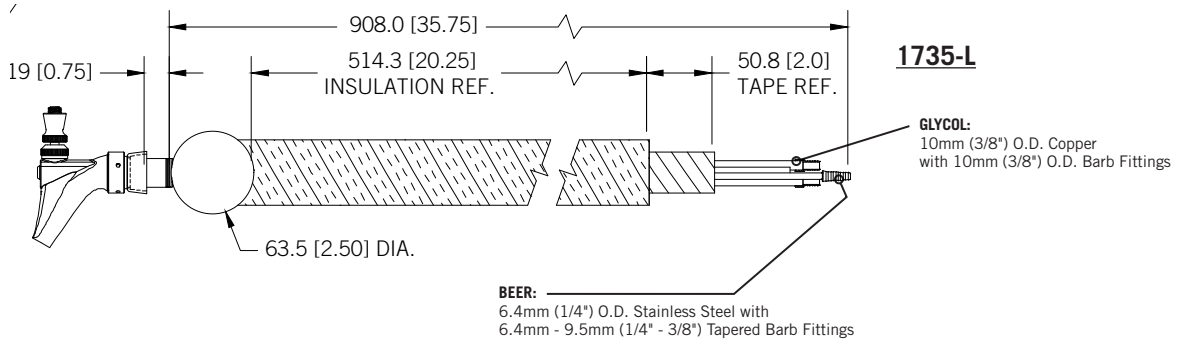
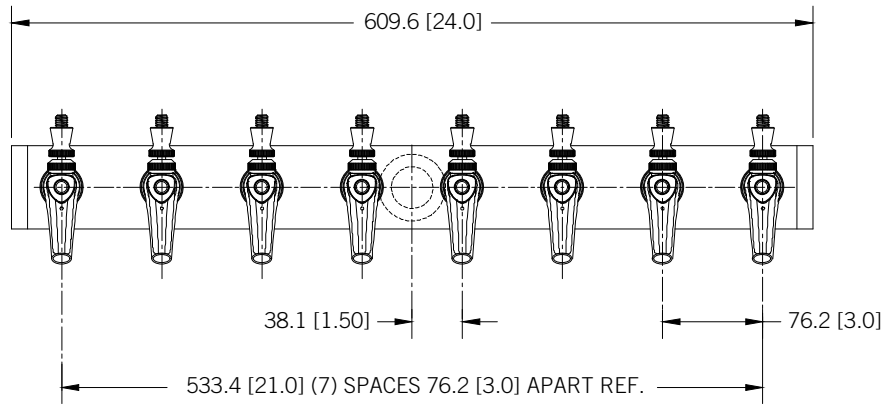
**DP-322ELD-8-18**

Matching Drip Tray



Part No.	Faucets	Shank Length	Dispense System	Shipping Weight
□ 1735-L	8	Long	Kool-Rite™ (Glycol)	TBD
				TBD
□ 1735-S	8	Short	Kool-Rite™ (Glycol)	TBD
				TBD

Dimensions



Toll-Free: 1-866-327-4159  
www.micromatic.com

**West**  
19791 Bahama St.  
Northridge, CA 91324  
Tel. (818) 701-9765  
Fax. (818) 701-9844

**Central**  
10726 North Second St.  
Machesney Park, IL 61115  
Tel. (815) 968-7557  
Fax. (815) 968-0363

**Southeast**  
15111 Dispense Ln.  
Brooksville, FL 34604  
Tel. (352) 799-6331  
Fax. (352) 796-2429

**Northeast**  
4601 Saucon Creek Rd.  
Center Valley, PA 18034  
Tel. (610) 625-4464  
Fax. (610) 625-4466