

## "CLR" COOLER RACK 16GA Stainless Steel

### FEATURES:

- Stainless Steel Construction
- All Welded Setup
- Adjustable Galvanized Bullet Feet

### SPECIFICATIONS:

- 1-1/2" Square Tubing For Vertical Uprights
- 1-1/2" Stainless Steel Square Tubing For Shelves
- Fully Welded Setup
- 1-1/2" Square Stainless Steel Tubing

### CERTIFICATIONS:



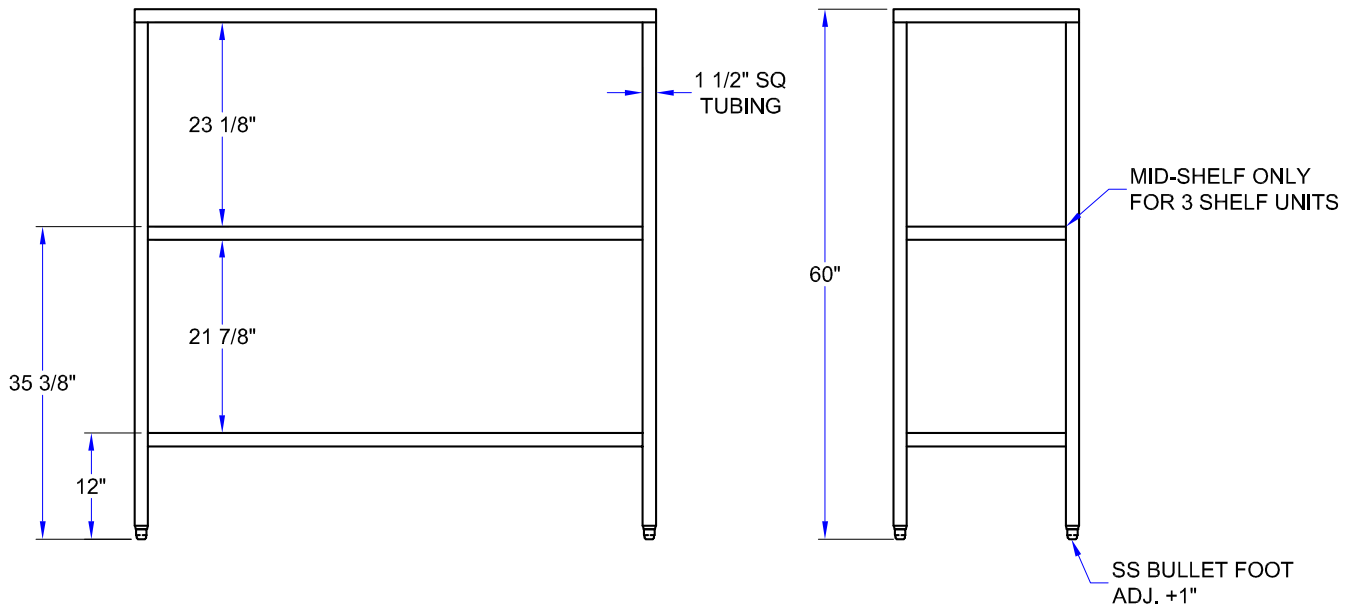
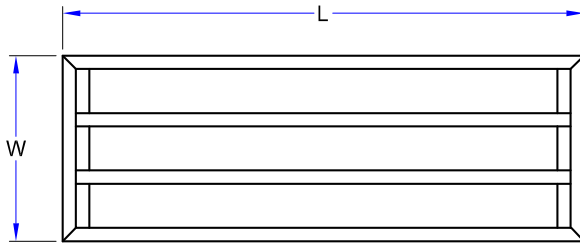
CLR19

### "CLR" COOLER RACKS

LENGTH	# OF SHELVES	18" WIDE	WT. (LBS)	21" WIDE	WT. (LBS)	24" WIDE	WT. (LBS)
34"	2	CLR01	51	CLR05	63	CLR09	75
47"	2	CLR02	67	CLR06	79	CLR10	91
59"	2	CLR03	83	CLR07	95	CLR11	107
71"	2	CLR04	97	CLR08	110	CLR12	123
34"	3	CLR13	76	CLR17	94	CLR21	112
47"	3	CLR14	100	CLR18	118	CLR22	136
59"	3	CLR15	124	CLR19	142	CLR23	160
71"	3	CLR16	145	CLR20	165	CLR24	184

ALL DIMENSIONS ARE TYPICAL. TOLERANCE +/- .500". JOHN BOOS & CO. RESERVES THE RIGHT TO CHANGE SPECIFICATIONS WITHOUT NOTICE.

# DETAILED SPECIFICATIONS



## "CLR" COOLER RACKS

LENGTH	# OF SHELVES	18" WIDE	WT. (LBS)	21" WIDE	WT. (LBS)	24" WIDE	WT. (LBS)
34"	2	CLR01	51	CLR05	63	CLR09	75
47"	2	CLR02	67	CLR06	79	CLR10	91
59"	2	CLR03	83	CLR07	95	CLR11	107
71"	2	CLR04	97	CLR08	110	CLR12	123
34"	3	CLR13	76	CLR17	94	CLR21	112
47"	3	CLR14	100	CLR18	118	CLR22	136
59"	3	CLR15	124	CLR19	142	CLR23	160
71"	3	CLR16	145	CLR20	165	CLR24	184

ALL DIMENSIONS ARE TYPICAL. TOLERANCE +/- .500". JOHN BOOS & CO. RESERVES THE RIGHT TO CHANGE SPECIFICATIONS WITHOUT NOTICE.