

APPLICATION:

JOB NAME:

PRODUCT NAME:

1/2" SLIP JOINT KIT

SPECIAL CONFIGURATION  
CHECK BASE MODEL AND OPTIONS

QUANTITY:

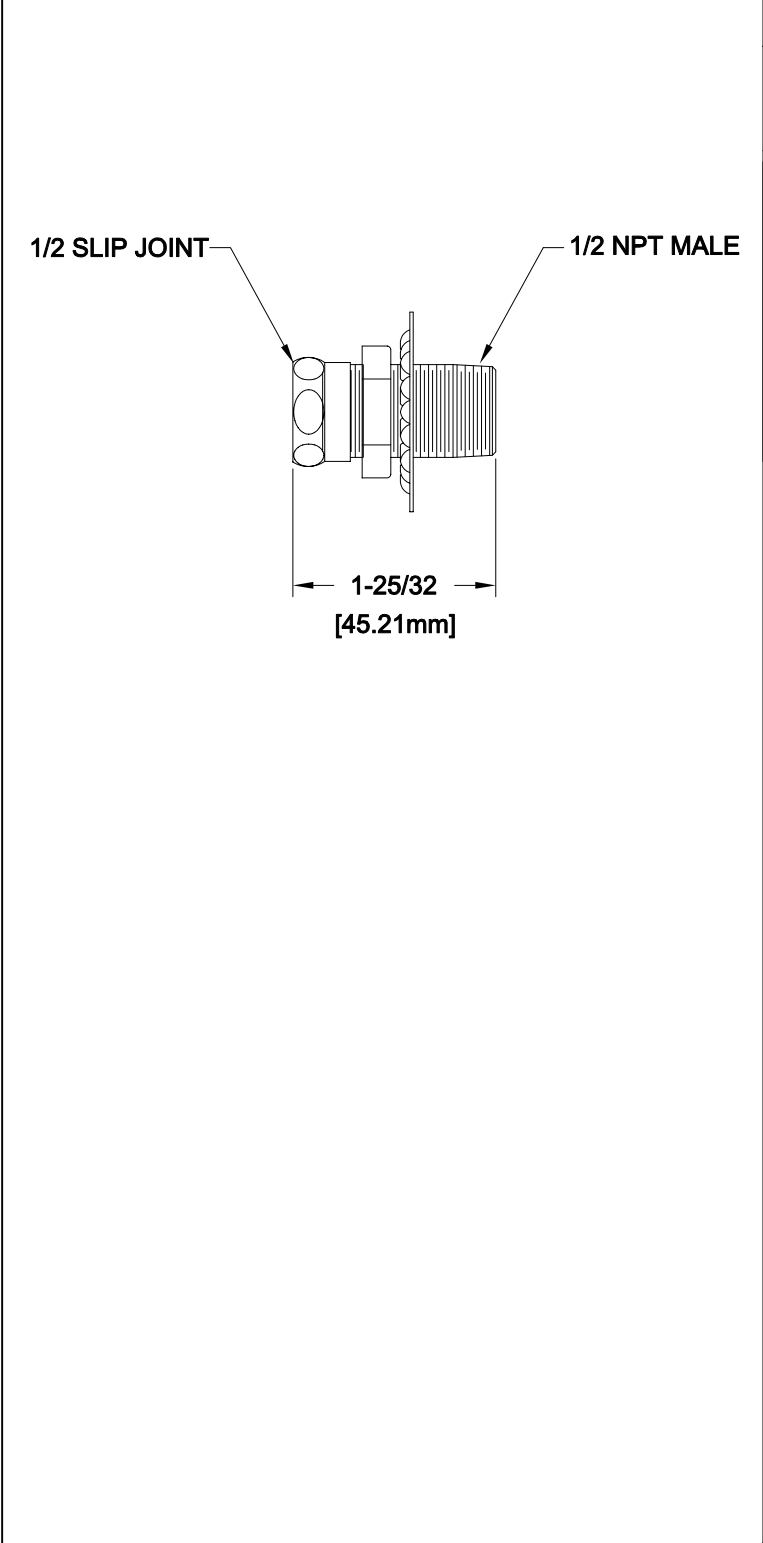
ITEM NO.

MODEL:

2200-0000 1/2" SLIP JOINT KIT

OPTIONS OR MODIFICATIONS:


OTHER \_\_\_\_\_



FEATURES:

**SYSTEM LIMITS**  
 \* TEMP: 40°F MIN. TO 140°F MAX. STATIC  
 \* PRESSURE 200 PSI MAX. STATIC

**SHIPPING WEIGHT**  
 \* 0.25 LBS

 ANSI/A112.18.1M

**FISHER**  
 FISHER MANUFACTURING COMPANY  
 TOLL FREE: 800-421-6162 - FAX: 800-832-8238  
 information@fisher-mfg.com - www.fisher-mfg.com