

Project: \_\_\_\_\_

Item: \_\_\_\_\_

Quantity: \_\_\_\_\_

## Dish Rack Holder - Wall Mount



52924



53082

### Designed to hold dish racks for storage and drying.

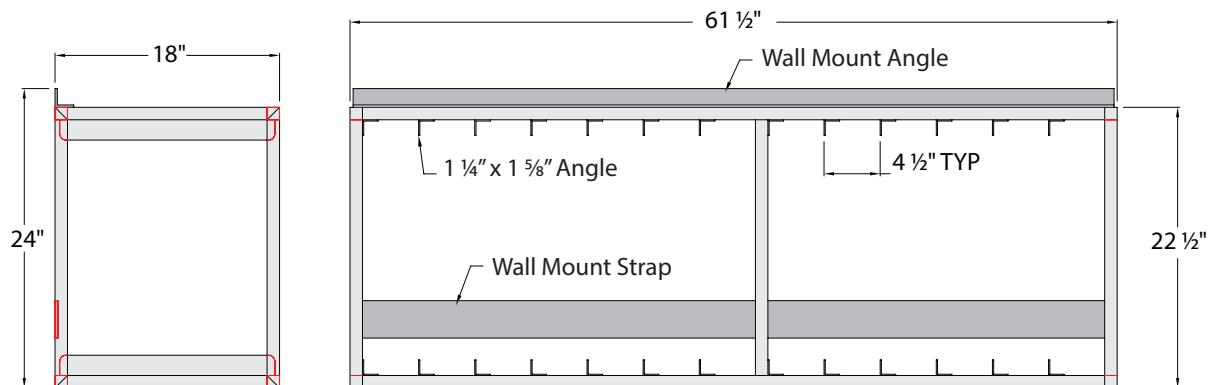
Keeps racks easily accessible above sinks, tables and bussing stations.

- Framework is constructed of 1" x 1" x .070" wall tubing
- Angle runners are 1 1/4" x 1 5/8" angle, .100" wall
- Wall mount hardware is not included
- Five-Year Guarantee against material defects and workmanship.
- Lifetime Guarantee against rust and corrosion.

Model No.	Size W-H-D	Tray Capacity	Runner Spacing	Ship Lbs.
<b>Half-Size</b>				
53082	29" x 22 1/2" x 18"	6	4 1/2"	21
<b>Full-Size</b>				
52924	61 1/2" x 22 1/2" x 18"	13	4 1/2"	38

Accepts 20" x 20" racks.

Wall mount hardware is not included



New Age Industrial Corp., Inc. || [NewAgeIndustrial.com](http://NewAgeIndustrial.com) || Made in the USA

PO Box 520 • 16788 US Hwy 36 • Norton, Kansas 67654 || Phone: (800) 255-0104 • (785) 877-5121 || Fax: (877)-877-7687 • (785) 877-2616

This information is for general sales and engineering use only. New Age Industrial reserves the right to modify or make changes at any time, without notice, to materials and specifications.