



DUAL-TEMPERATURE WINE DISPENSER

PRO-LINE™ WINE 25" - 4 KEG

- Designed by wine-industry experts for performance and value.
- Two dedicated temperature zones for optimal wine dispensing.
- Pre-drilled for customer tower choice.
- Commercial grade construction - build to last.



MDD23WLT-E
Black



MDD23SW-E
Stainless Steel



Dual-Temperature: Built In Digital Thermostats



Listed by Edison Testing Laboratories.
Conforms to UL & NSF Standards.

www.micromatic.com • 1 (866) 327-4159

PRO-LINE™ WINE 25" - 4 KEG

Job Number: _____ Location: _____

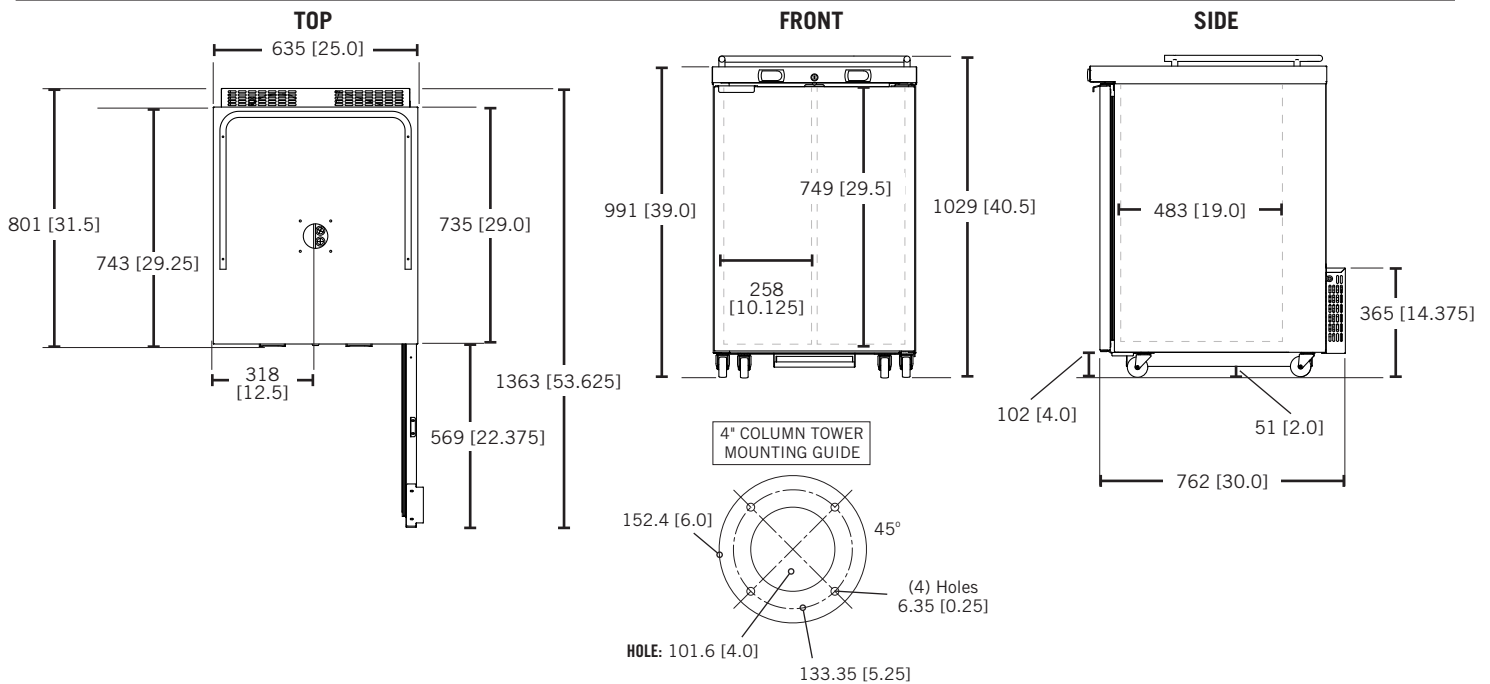
Part No.	Finish	Doors	Shipping Weight
<input type="checkbox"/> MDD23WLT-E	Black	1	78 kg 172 lbs
<input type="checkbox"/> MDD23SW-E	Stainless Steel	1	78 kg 172 lbs

Operating Performance

Capacity of 20 Liter Kegs	4 (2 per zone)	Running Amps	1.5
Cubic Feet (liters)	TBD	Compressor HP	1/10
Hole for Wine Font	1	Voltage	115/60/1
Hole Diameter	3"	Plug Type	NEMA-5-15P
Color-coded Digital Thermostats	2 (Blue LED-Whites & Red LED-Reds)	Cord Length	8'
Temperature Range - Whites	42-48°F (5.5 - 8.8°C)	Refrigerant	R290
Temperature Range - Reds	55-65°F (12.7 - 18.3°C)	Charge oz	2.8
Approval	ETL Listed	Working High/Low Pressure	300 psig / 150 psig

Exterior	18 gauge stainless steel top, 22 gauge solid doors, 24 gauge steel front, sides and back.
Interior	20 gauge stainless steel floor, reinforced frame, 24 gauge galvanized walls.
Ventilation	Back ventilated.
Plumbing	Automatic condensate evaporator, no drain connection required. Evaporator condensate has been plumbed to a condensate pan located in the compressor housing.
Insulation	Foamed-in-place using high density, CFC-free polyurethane; 1-1/2" top, walls and floor.
Mobility	Casters are standard and not removable.

Dimensions



 **MICRO MATIC**
 Toll-Free: 1-866-327-4159
www.micromatic.com

West
 19791 Bahama St.
 Northridge, CA 91324
 Tel. (818) 701-9765
 Fax. (818) 701-9844

Central
 10726 North Second St.
 Machesney Park, IL 61115
 Tel. (815) 968-7557

Southeast
 15111 Dispense Ln.
 Brooksville, FL 34604
 Tel. (352) 799-6331

Northeast
 4601 Saucon Creek Rd.
 Center Valley, PA 18034
 Tel. (610) 625-4464
 Fax. (610) 625-4466