



Project \_\_\_\_\_

Item # \_\_\_\_\_

Quantity \_\_\_\_\_

# Round Waffle Makers

Models: RWM-1, -1B  
RWM-2, -2B

Hatco®/Suntec Waffle Makers are designed for use in commercial kitchens, display cooking applications, and buffets. They feature an exclusive heating element design, which provides exceptional heat distribution throughout the entire cooking plate, resulting in perfectly even cooking and great quality waffles. Adjustable time and temperature allow operators to "dial in" the perfect cooking profile for their particular operation, or use different batters to expand the menu offering.

## Standard features

- Commercial foodservice quality - designed for many hours of continuous use, every day
- Stainless steel frame, cast aluminum cooking plates
- Standard cooking plates deliver 7" (178 mm) diameter and 5/8 (16 mm) thick waffles
- Belgian-style cooking plates deliver 7" (178 mm) diameter and 1" (25 mm) thick waffles
- Removable drip pan for easy cleaning
- LED display shows timer, temperature and status information
- Beeper signals the end of a cooking cycle
- Simple push button control panel featuring a stand-by on/off, timer/temp toggle, higher/lower selection, and start/stop
- Fast initial heat up time, excellent heat retention and recovery delivers high productivity and consistent results
- Models come with a stainless steel frame and aluminum cooking plates. Also a power I/O (on/off) switch, a multi-function control panel, a removable drip tray, a nylon brush and 6" (152 mm) cord and plug



## Accessories

Nylon brush



For operation, location and safety information, please refer to the Installation and Operating Manual.



HATCO CORPORATION | P.O. Box 340500 Milwaukee, WI 53234-0500 U.S.A. | (800) 558-0607 | (414) 671-6350



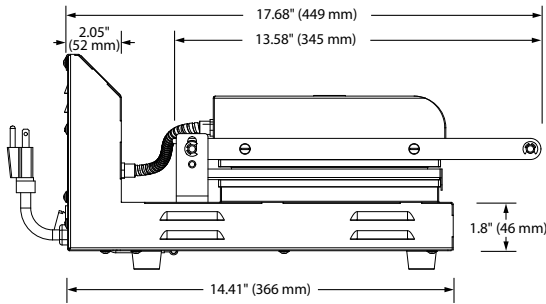
[www.hatcocorp.com](http://www.hatcocorp.com) | [support@hatcocorp.com](mailto:support@hatcocorp.com) | [Find a Hatco Rep](#) | [Image Library](#) | [Document Library](#) | [Patents](#) | [Chat](#)



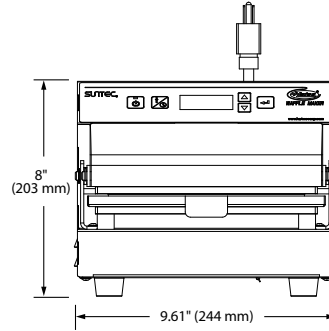
# Waffle Makers

Models: RWM-1, -1B, -2, -2B

## RWM-1

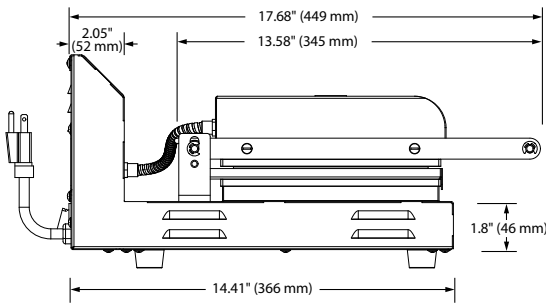


FRONT VIEW

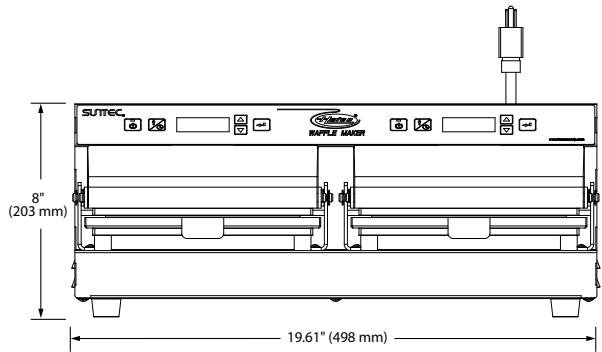


SIDE VIEW

## RWM-2



FRONT VIEW



SIDE VIEW

## SPECIFICATIONS Round Waffle Makers

Model	Description	Dimensions (W x D x H)	Voltage	Watts	Amps	Plug	Shipping Weight
RWM-1	single, round, standard	9.61" x 17.68" x 8" (244 x 449 x 203 mm)	120	900	7.5	NEMA 5-15P	16 lbs. (7 kg)
RWM-1B	single, round, Belgian	9.61" x 17.68" x 8" (244 x 449 x 203 mm)	120	900	7.5	NEMA 5-15P	16 lbs. (7 kg)
RWM-2 <sup>▲</sup>	double, round, standard	19.61" x 17.68" x 8" (498 x 449 x 203 mm)	120	1800	15	NEMA 5-15P, NEMA 5-20P	33 lbs. (15 kg)
RWM-2B <sup>▲</sup>	double, round, Belgian	19.61" x 17.68" x 8" (498 x 449 x 203 mm)	120	1800	15	NEMA 5-15P, NEMA 5-20P	33 lbs. (15 kg)

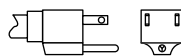
<sup>▲</sup> Canadian model uses NEMA 5-20P.

## CORD LOCATION

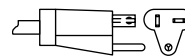
Back of unit bottom left-hand side.

## PLUG CONFIGURATIONS

NEMA 5-15P



NEMA 5-20P



## PRODUCT SPECS Round Waffle Makers

The Hatco/Suntec Waffle Makers shall be Model ... as manufactured by the Hatco Corporation, Milwaukee, WI 53234 U.S.A.

The Waffle Maker shall be rated at ... watts, ... volts, and be ... inches (millimeters) in overall width.

It shall consist of stainless steel frame and aluminum cooking plates. Waffle Makers

feature a Power I/O (on/off) switch on the back, a multi-function control panel, a removable drip tray and a nylon brush. All units are equipped with a factory attached 6' (1829 mm) power cord and plug.

Warranty consists of 24/7 parts and service assistance (US and Canada only).

**HATCO CORPORATION** | P.O. Box 340500 Milwaukee, WI 53234-0500 U.S.A. | (800) 558-0607 | (414) 671-6350



[www.hatcocorp.com](http://www.hatcocorp.com) | [support@hatcocorp.com](mailto:support@hatcocorp.com) | [Find a Hatco Rep](#) | [Image Library](#) | [Document Library](#) | [Patents](#) | [Chat](#)