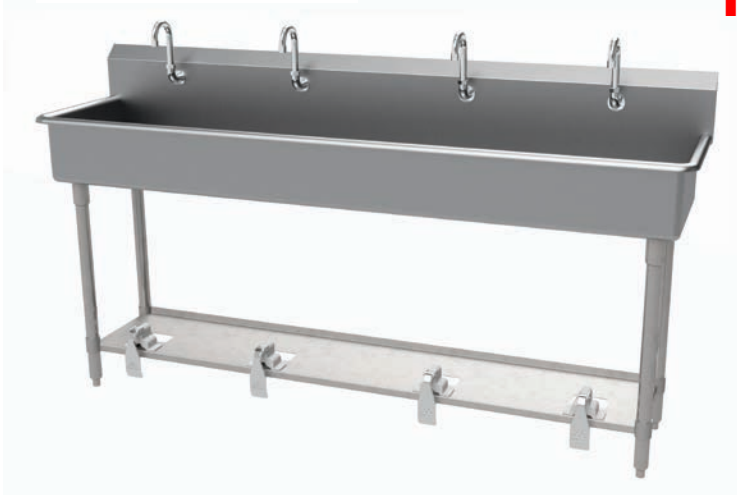




14 GAUGE STAINLESS STEEL

# FOUR STATION FLOOR MOUNTED SINK WITH TUBULAR LEGS TOE-PUSH OPERATED



Foot Valves  
Included On All  
"FV" Models

Item #: \_\_\_\_\_ Qty #: \_\_\_\_\_  
 Model #: \_\_\_\_\_  
 Project #: \_\_\_\_\_



**FEATURES:**

- 8 1/2" high backsplash.
- 8" sink bowl depth.
- Stainless steel "Z" brackets.
- One **K-6** 3 1/2" rear basket drain.
- Tubular stainless steel legs with flanged feet.
- One stainless steel support shelf with rear turn-up.
- Toe-Push Operated:** Includes four **K-104** toe-push valves and four **K-121** spouts.

**CONSTRUCTION:**

- All TIG welded.
- Welded areas blended to match adjacent surfaces and to a satin finish.

**MATERIAL:**

- All 14 gauge type "304" stainless steel.
- 1 5/8" tubular "304" stainless steel legs.
- Stainless steel gussets.

**MECHANICAL:**

Single faucet hole punched at each station.

Model #	Length	# of Spouts	Wt.	Cu. Ft.
FS-FM-80FV	80"	4	168 Lbs.	57

[Click Here For Install Guide](#)



## MULTI-STATION ACCESSORIES & REPLACEMENT PARTS

Model	Description	QTY:
K-06	Splash Mount Faucet Mounting Kit	_____
K-13	Stainless Steel Soap Dispenser (Wall Mount Only)	_____
K-104	Toe-Push Valve Assembly	_____
K-121	Single Hole, Splash Mounted 3-1/2" Gooseneck Spout	_____
K-411	Strainer Plate for 3-1/2" Drain	_____
K-508	Special Sizing Charge (Larger Size Cut Down To Smaller Size)	_____
TA-19	Adjustable Stainless Steel Flanged Bullet Foot	_____



= Ships UPS

Standard Faucets conform to NSF 61 Standard 9 and compliance to AB 1953 Standards.

**WARNING:** Equipment that include faucets on this page may contain a chemical known to the State of California to cause cancer, birth defects or other reproductive harm.



Customer Service Available To Assist You **1-800-645-3166** 8:30 am - 7:00 pm E.S.T.

For Orders & Customer Service:

Email: [customer@advancetabco.com](mailto:customer@advancetabco.com) or Fax: 631-242-6900

For Smart Fabrication™ Quotes:

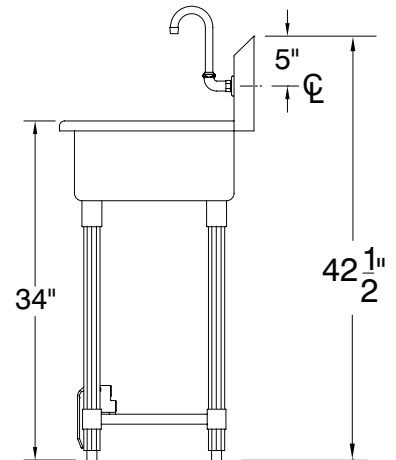
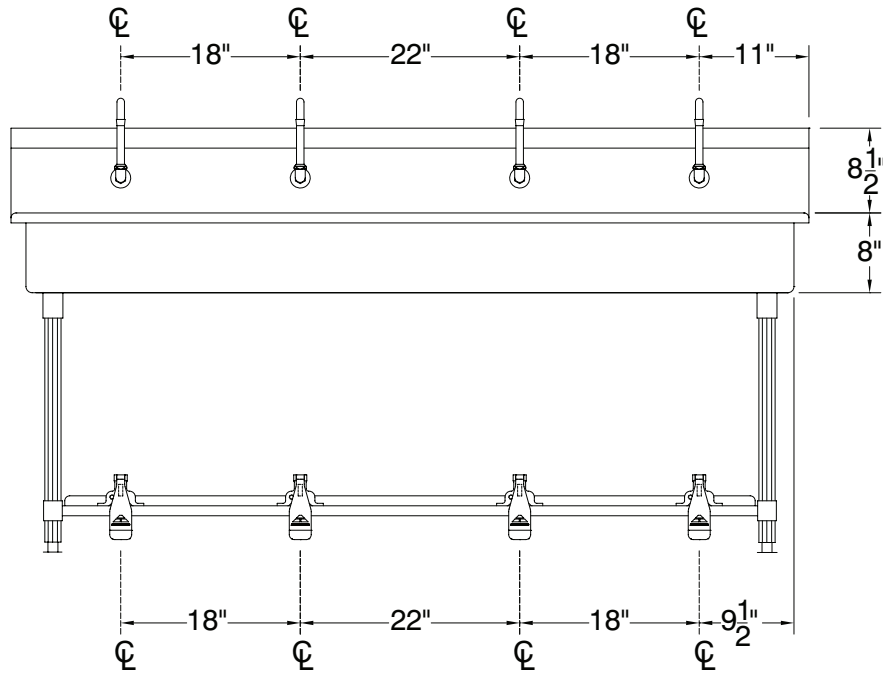
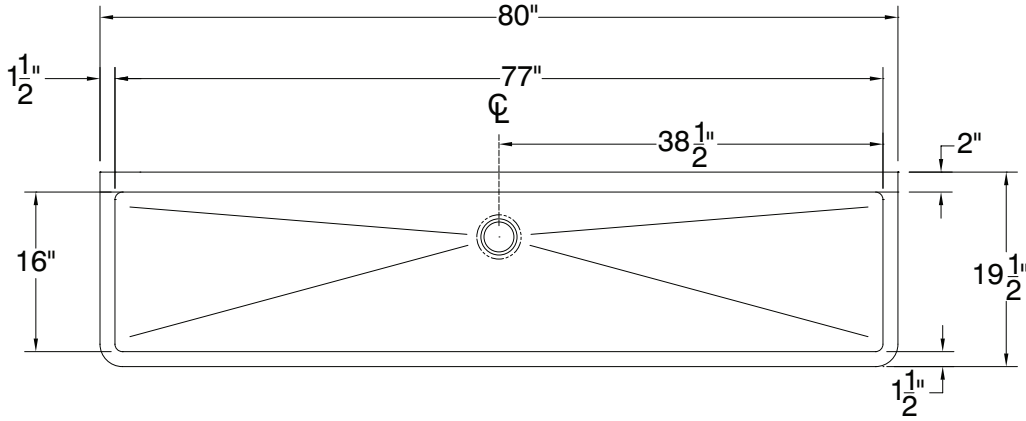
Email: [smartfab@advancetabco.com](mailto:smartfab@advancetabco.com) or Fax: 631-586-2933

# DETAILS and SPECIFICATIONS

TOL ± .500"

ALL DIMENSIONS ARE TYPICAL

FS-FM-80FV



168 Lbs.

