

APPLICATION:

PRODUCT NAME:  
**ADD-ON FAUCET LESS SWING SPOUT**

JOB NAME:

SPECIAL CONFIGURATION  
 CHECK BASE MODEL AND OPTIONS

QUANTITY:

ITEM NO.

MODEL:  
 2901-0000 WITH 4" RISER  
 2901-0001 WITH 2" RISER

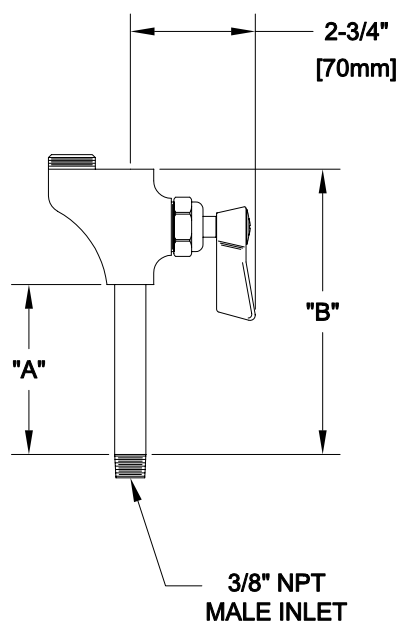
OPTIONS OR MODIFICATIONS:  
 HANDLES (CROSS OR WRIST) CIRCLE STYLE  
 VANDAL RESISTANT KIT  
 OTHER \_\_\_\_\_

**FEATURES**

**CONTROL VALVE**  
 \* 3/8" MALE INLET  
 \* STEM - RIGHT HAND  
 \* HOT AND COLD INDEX BUTTONS  
 \* SWIVELLING SEAT DISK  
 \* STAINLESS STEEL SEAT  
 \* STAINLESS STEEL SEAT SCREW  
 \* STAINLESS STEEL HANDLE SCREW

**SYSTEM LIMITS**  
 \* TEMP: 40°F MIN. TO 140°F MAX.  
 \* PRESSURE: 200 PSI MAX. STATIC

**SHIPPING WEIGHT**  
 \* 1.5 LBS



MODEL	DIM "A"	DIM "B"
2901-0000	3-3/4" [95mm]	6" [152mm]
2901-0001	1-3/4" [45mm]	4" [102mm]