

SUPER DUTY CHILLTEMP® REFRIGERATED CABINET MODEL R-171-SUA-10E-SD

FEATURES AND BENEFITS:

- Super duty composite side impact panel protection with ergonomic grips on both sides prevents damage to walls; allows for easy maneuvering.
- Fully insulated mobile ChillTemp® refrigerated cabinet for holding food and beverages at serving temperature.
- Lockable slide bolt door latches ensure the doors stay closed even during the roughest transport.
- Forced air system provides even distribution of cold air; cabinet maintains temperatures from 33°F (.5° C) to 40°F (4.5° C). Automatically defrosts.
- 1/3 horsepower compressor with automatic overload reset. R134a refrigerant for environmental compatibility.
- Full perimeter bumper, rear push/pull handle and dry erase panel come standard on all models.
- Stainless steel construction throughout for ease of cleaning. One piece extended base protects cabinet body.
- Self-closing insulated door prevents temperature loss. Magnetic door gaskets for proper seal.
- Insulated door prevents temperature loss. Standard with right hand hinging; left hand hinging available upon request.
- Generous 18-cubic foot interior.
- Ten sets of chrome plated wire angles accommodate a large variety of pan sizes on adjustable 1-1/2" centers.
- Heavy duty 6" modulus casters, two with brakes. Provides mobility when fully loaded.



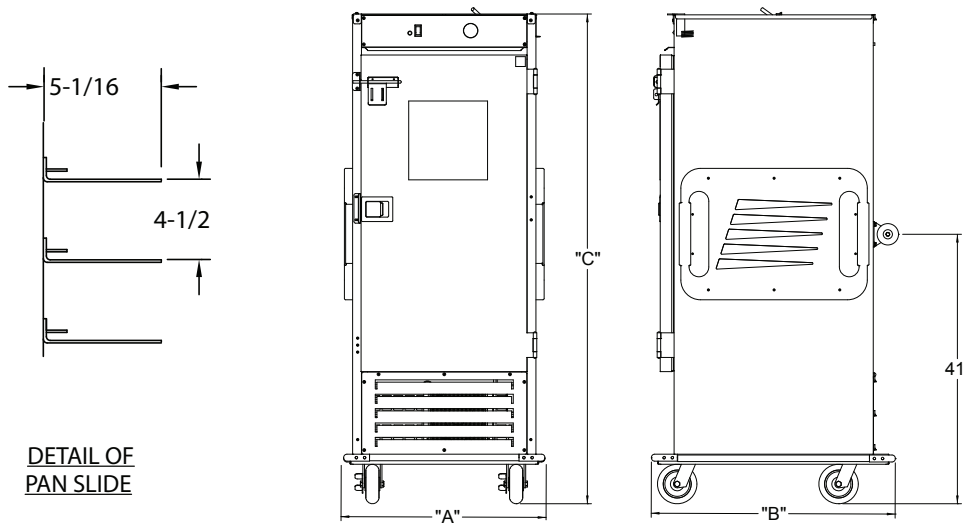
R-171-SUA-10E-SD

ACCESSORIES and OPTIONS (Available at extra cost):

- Menu Card Holder
- Corner Bumpers
- Polyurethane Casters
- 240 Volt Service
- Digital Thermometer
- Interior for (28) 18" x 26" pans

See page K-4 for accessory details.

R-171-SUA-10E-SD



| CRES COR MODEL NO. | PAN | | | DIM "A" | DIM "B" | DIM "C" | INSIDE DIMENSIONS | | | | WEIGHT ACT. |
|--------------------|-------------|---------|----|---------|---------|---------|-------------------|--------|--------|-----|-------------|
| | CAP/ ANGLES | SIZE | | WIDTH | DEPTH | HEIGHT | WIDTH | DEPTH | HEIGHT | | |
| R-171-SUA-10E-SD | 10 SETS | 18 X 26 | IN | 30-7/16 | 40-1/2 | 77-1/8 | 23-1/2 | 29-3/4 | 47-3/8 | LBS | 408 |
| | | | MM | 773 | 1029 | 1959 | 597 | 755 | 1203 | KG | 186 |
| | 20 SETS | 12 X 20 | IN | | | | | | | | |
| | | | MM | | | | | | | | |

CABINET:

- Body: 22 ga. stainless steel.
- Reinforcement: Internal framework of 18 ga. 304 stainless steel.
- Insulation: Fiberglass, thermal conductivity (K factor) is .23 at 75°F. 1-1/2" in doors, base top; 2" in sidewalls.
- Push/pull handle: Welded stainless steel with end bumpers; rear mounted.
- Interior coved corners.
- Super Duty composite side impact panel with ergonomic grips.
- Supplied with magnetic white erasable board, 12" x 12".

BASE:

- One piece construction, .125 aluminum; extended in rear for toe kick.
- Casters: 6" dia., modulus tires, 2" wide, load cap. 450 lbs. each, temp. range -40°/+180°F. Sealed ball bearings; permanently lubricated. Front casters equipped with brakes.
- Perimeter bumper: 1" non-marking gray rubber.

DOOR:

- Formed 22 ga. stainless steel.
- Hinges: 11 ga. stainless steel, butt type.
- Gasket: Perimeter type, silicone.
- Pan stop: Embossed.
- Latch: Polished stainless steel, slam type; flush mounted.
- Transport Latch: 12 ga. stainless steel slide with lockable hasp.

PAN SLIDES:

- Wire angles (.306 dia.), nickel chrome plated steel, mounted on lift-off posts.
- Spaced on 4-1/2" centers; adjustable on 1-1/2" centers.

ELECTRICAL COMPONENTS:

- Thermostat: Pre-set to 38° F (3.3° C).
- Pilot light.
- Switch.
- Power cord: Permanent, 10 ft., 14/3 ga. with molded plug.
- Compressor: 1/3 h.p.
- Condensate evaporator: Electrical.
- R134a refrigerant.

POWER REQUIREMENTS:

- 120 Volts, 60 Hz., single phase, 15 Amp. service.

SHORT FORM SPECIFICATIONS

Cres Cor Refrigerated Cabinet Model R-171-SUA-10E-SD. Cabinet 22 ga. stainless steel; stainless steel internal frame. (10) sets of wire universal angles for multiple pan sizes, adjustable spacing every 1-1/2". Door, 22 ga. stainless steel. Foam insulation in sides and doors. Interior coved corners. 1/3 h.p. compressor, 120 Volts. One piece base, .125 aluminum. 6" swivel casters, ball bearings. Load capacity 450 lbs. each. 2-Year Parts / 1-Year Labor warranty. Provide the following accessories: _____ . CSA-US/C, CSA to NSF7 listed.



5925 Heisley Road • Mentor, OH 44060-1833
 Phone: 877/CRESCOR • Fax: 440/350-7267
 www.crescor.com

© Crescent Metal Products, Inc. 2017 All rights reserved.

In line with its policy to continually improve its products, CRES COR reserves the right to change materials and specifications without notice.

Made in America Since 1936