

Mobile Bowl Stand Stainless Steel

Models
712, 713

Spec. # _____



Model 713



Model 712

Add Mobility And Flexibility To Bulk Food Preparation

Benefits

- Mobility allows stand to be moved to the worksite or storage
- All-welded stainless steel construction is easy to clean and sanitize

Features

- Top cutout accepts 30-quart (#712) or 80-quart (#713) bowl (not included)
- Lower shelf provides handy storage for supplies and ingredients

Casters

- Heavy-duty 4" stem-mount casters, two with brake



AIA # _____

Specifications:

Lakeside Model #712 or #713 is of welded stainless steel construction. Top is 16-gauge stainless steel and has a cutout to accept a round 30-quart (#712) or 80-quart (#713) bowl (not included). Upright legs are 12-gauge angle stainless steel. Unit features 16-gauge undershelf having floor clearance of 9¾" for storage of utensils, supplies and ingredients. Casters are 4" diameter all-swivel with non-marking 1" wide wheels. Two casters have locking wheel brake. Unit is NSF listed.

Lakeside Manufacturing, Inc.

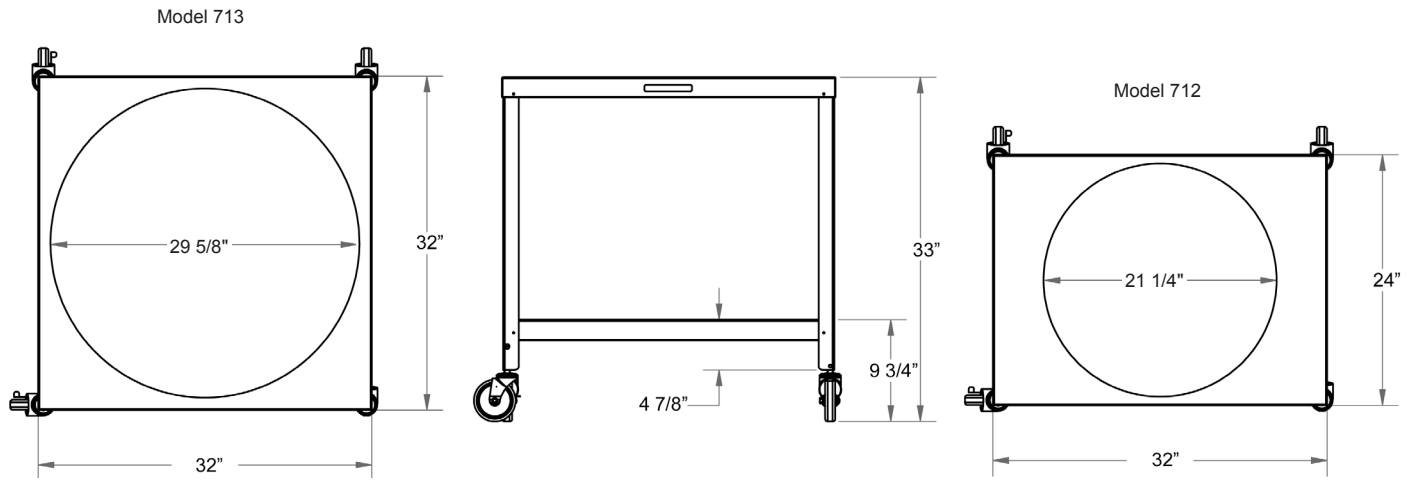
4900 West Electric Avenue • West Milwaukee, WI 53219 U.S.A.

800-558-8565 • 414-902-6400 • Fax 414-902-6446 • info@elakeside.com • www.eLakesideFoodservice.com

Models
712, 713

Mobile Bowl Stands

Stainless Steel



Dimensions:

Model	Overall Size			Accepts Bowl Size	Bowl Cut-out	Casters		Case Wt. Lbs.
	W	L	H			Type	Dia.	
712	24"	32"	33"	30	21 1/4"	All Swivel	4"	50
	(610)	813	838)	Quart	(540)	2 w/Brake	(102)	(22.7 kg)
713	32"	32"	33"	80	29 5/8"	All Swivel	4"	60
	(813)	813	838)	Quart	(752)	2 w/Brake	(102)	(27.3 kg)

Dimensions in () denote metric millimeters, unless otherwise noted.

Options:

- 30-Quart Aluminum Bowl (Model 712)
- 80-Quart Aluminum Bowl (Model 713)



Lakeside Manufacturing, Inc.

4900 West Electric Avenue • West Milwaukee, WI 53219 U.S.A.
800-558-8565 • 414-902-6400 • Fax 414-902-6446 • www.eLakeside.com