

**Perlick® DRINK RAIL DRAINERS INSIDE AND OUTSIDE CORNERS**

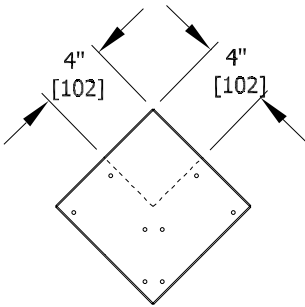
**Perlick Features**

- Variety of sizes to fit any bar length
- Stainless steel construction
- Easy to install
- Removable glass racks for easy clean up

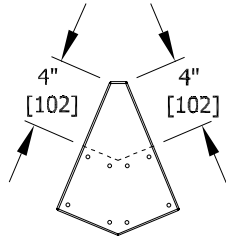
JOB	
AREA	
ITEM NO.	
MODEL NO.	

MODELS	
DRD12	DRD36
DRD18	DRD42
DRD24	DRD48
DRD30	

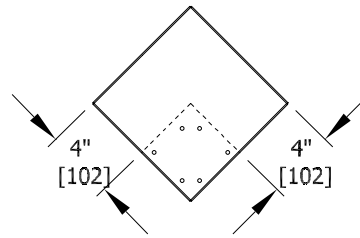
**Drink Rails Inside & Outside, 45° & 90° Corners**



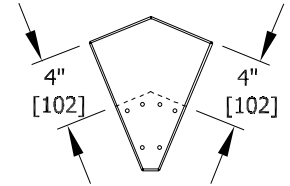
DRD90-I



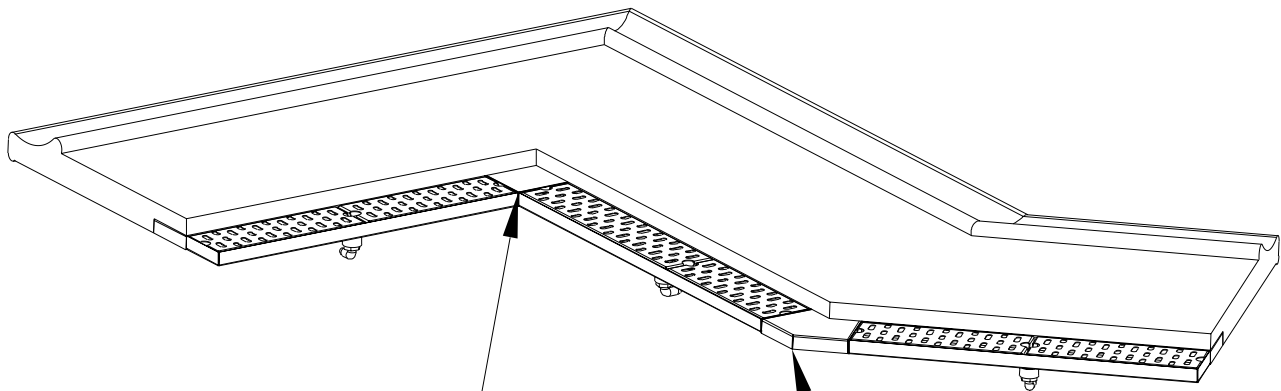
DRD45-I



DRD90-O



DRD45-O



DRD90-I

DRD45-O

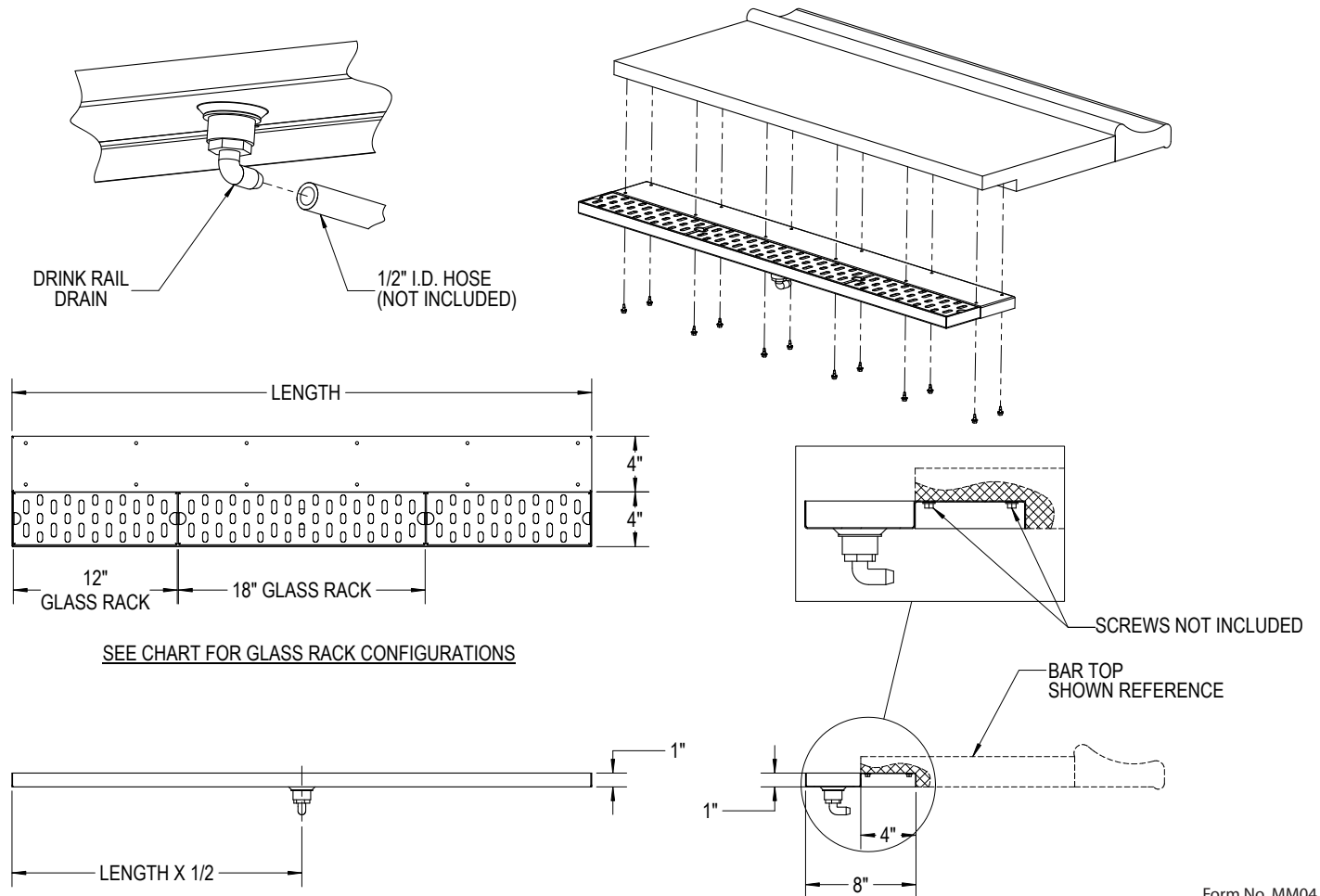


**DRINK RAIL DRAINERS**  
INSIDE AND OUTSIDE CORNERS

MODEL NOS.		DRD12	DRD18	DRD24	DRD30	DRD36	DRD42	DRD48
DIMENSIONS	LENGTH, INCHES (mm)	12 (305)	18 (458)	24 (610)	30 (762)	36 (914)	42 (1067)	48 (1219)
	DEPTH, INCHES (mm)	4 (102)						
	HEIGHT, INCHES (mm)	1 (25)						
SHIP WEIGHT, LBS.		5	7	9	12	14	16	18
CONSTRUCTION		Stainless steel with polypropylene drain socket and 90° nylon elbow						
SIZES, INCHES, (mm) AND NO. OF GLASS RACKS	12 (305mm)	1	0	2	1	0	2	1
	18 (458mm)	0	1	0	1	2	1	2

**INSTALLION**

1. Position drink rail in desired location.
2. Use appropriate screws to fasten drink rail to underside of bar top.
3. Connect 1/2" I.D. drain hose to "barbed" elbow fitting.



Form No. MM04  
Rev. 12.11.13