



STAINLESS STEEL

HAND SINK WITH EYE WASH STATION

7-PS-55

Conforms To NSF 61/9 Lead Free Requirements



Item #: _____ Qty #: _____

Model #: _____

Project #: _____



Includes Eye Wash Attachment

FEATURES:

- One piece **Deep Drawn** sink bowl design.
- Sink bowl is 10" x 14" x 5".
- Sink bowl has a large liberal radii with a minimum dimension of 2" and are rectangular in design for increased capacity.
- Stainless steel basket drain 1-1/2" IPS.
- Includes **K-170** eye wash faucet attachment

CONSTRUCTION:

- All TIG welded.
- Welded areas blended to match adjacent surfaces and to a satin finish.
- Die formed Countertop Edge with a 3/8" No-Drip offset.
- One sheet of stainless steel - No Seams.

MATERIAL:

- Heavy gauge type 304 series stainless steel.
- Wall mounting bracket is galvanized and of offset design.
- All fittings are brass / chrome plated unless otherwise indicated.

MECHANICAL:

- Faucet supply is 1/2" IPS male thread hot and cold.
- Faucet Flow Rate:** 1.0 GPM/3.8 LPM aerator. 60 PSI.

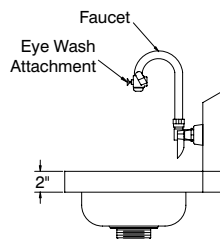
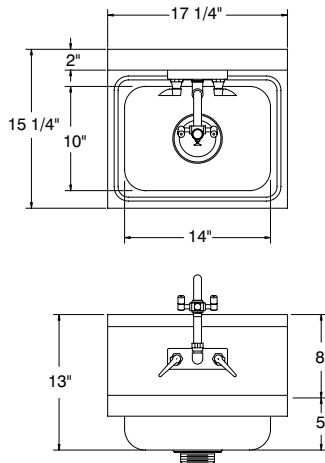
IMPORTANT: Faucet-mounted eyewashes require two motions to operate (turn on water, pull knob to activate eyewash flow). Therefore, **Advance Tabco does not believe that these units meet the provisions of ANSI Z358.1-2004 as eyewash units.** These units are intended solely as supplemental units in addition to dedicated, plumbed eyewash equipment installed in the workplace. Faucet-mounted eyewashes should be used with cold or warm water only. Use of hot water might cause scalding. Eyewash Faucets not to be used with Electronic Faucets.

TOL ± .500"

DIMENSIONS and SPECIFICATIONS

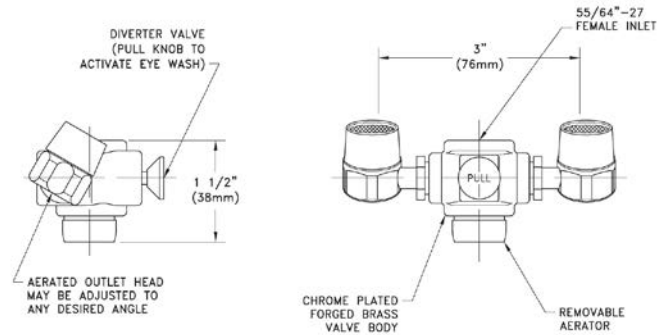
ALL DIMENSIONS ARE TYPICAL

7-PS-55



15 lbs.

EYE WASH DETAIL



WARNING: Equipment that includes a faucet may expose you to chemicals, including lead, that are known to the State of California to cause cancer or birth defects or other reproductive harm. For more info, visit www.p65warnings.ca.gov.