

"UBBS-29" UNDERBAR FROZEN DRINK MACHINE STAND

Freestanding, 29" Width

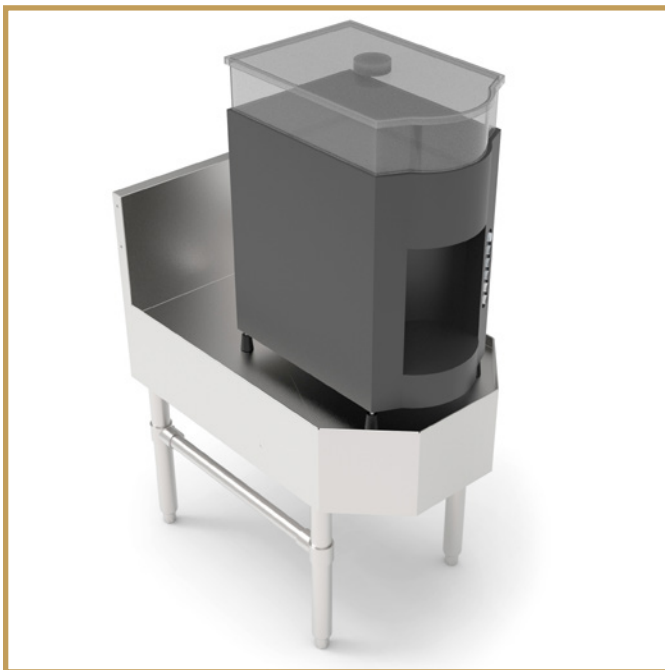
FEATURES:

- 18GA Stainless Steel Construction
- Type 300 Stainless Steel With #4 Polish, Satin Finish
- 1" Deep Drain Pan With Chamfered Front
- Drain Centered In Rear
- Stainless Steel Legs & Side Bracing
- Adjustable Stainless Steel Bullet Feet

SPECIFICATIONS:

- Top: 18GA Type 300 Stainless Steel
- Front Apron: 18GA Type 300 Stainless Steel
- Backsplash: 18GA Type 300 Stainless Steel
- Sides: 18GA Type 300 Stainless Steel
- Bolt On 1-5/8" Stainless Steel Legs For Fast Installation

CERTIFICATIONS:



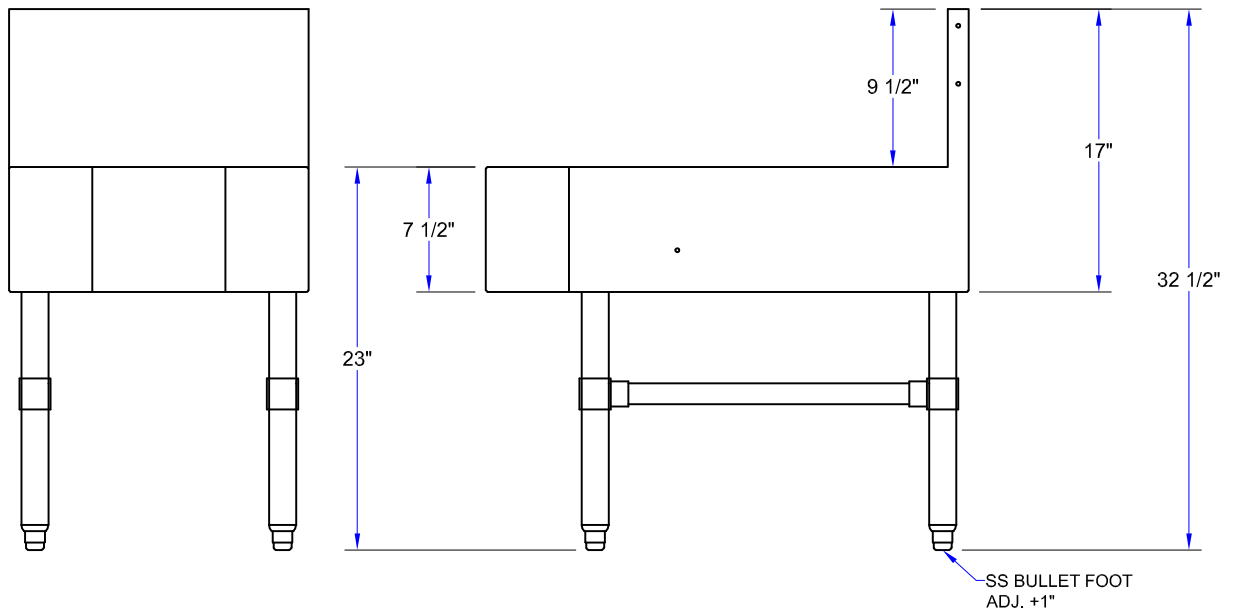
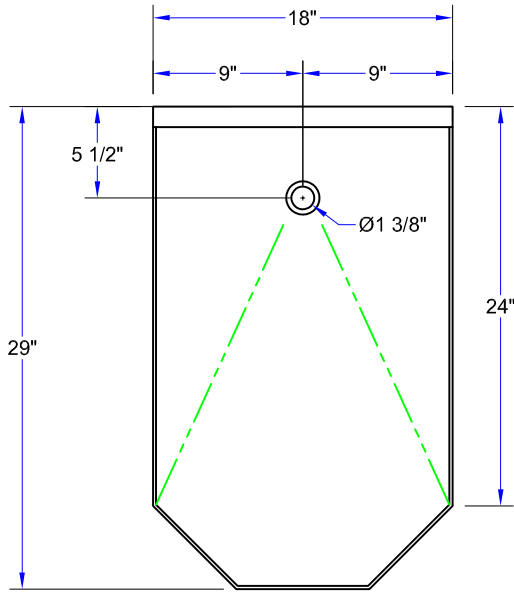
PRODUCT IN USE. DRINK MACHINE NOT INCLUDED

"UBBS-29" UNDERBAR FROZEN DRINK MACHINE STAND

MODEL	SIZE (LXWXH)	WEIGHT (LBS)
UBBS-2918	18"x29"x32-1/2"	33

ALL DIMENSIONS ARE TYPICAL. TOLERANCE +/- .500". JOHN BOOS & CO. RESERVES THE RIGHT TO CHANGE SPECIFICATIONS WITHOUT NOTICE.

DETAILED SPECIFICATIONS



"UBBS-29" UNDERBAR FROZEN DRINK MACHINE STAND

MODEL	SIZE (LXWXH)	WEIGHT (LBS)
UBBS-2918	18"x29"x32-1/2"	33

ALL DIMENSIONS ARE TYPICAL. TOLERANCE +/- .500". JOHN BOOS & CO. RESERVES THE RIGHT TO CHANGE SPECIFICATIONS WITHOUT NOTICE.