

# BLENDER STATION

## UNDERBAR - BLENDER STATIONS

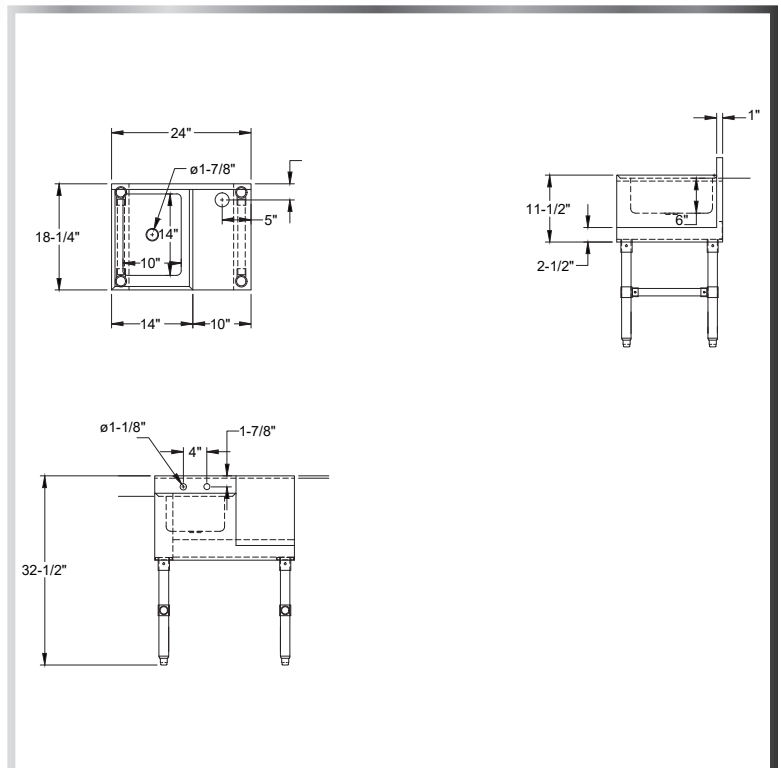


### MATERIALS

- 18 Gauge 300 Series Stainless Steel; Fabricated
- Stainless Steel Legs and Cross-Bracing
- Plastic Adjustable Bullet Feet

### FEATURES

- 4" On-Center Wall-Mounted Faucet Holes
- 2-1/2" Drain Hole With Rubber Grommet For Power Cord



MODEL NUMBER	BOWL SIZE L X W X H	LENGTH	WIDTH
UW-1-1014-2418-RH	10" x 14" x 6"	24"	18-1/4"