

• MI32R

26-1/8"L x 36-1/2"D x 39-1/8"H

Included

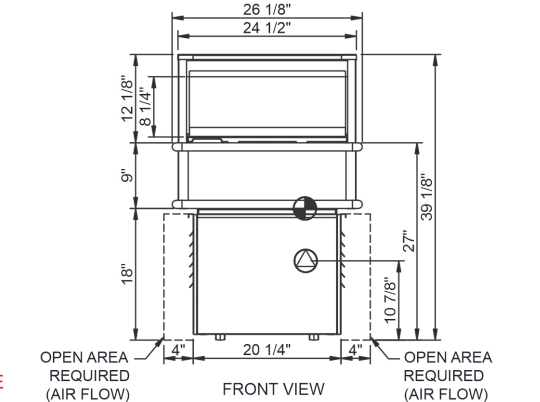
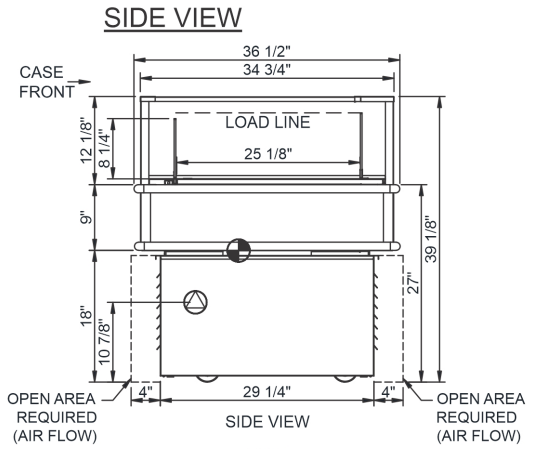
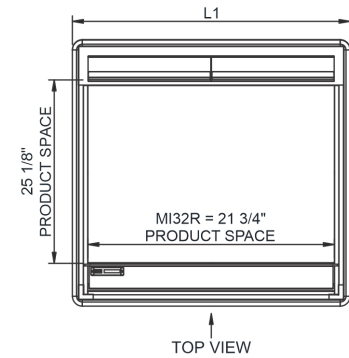
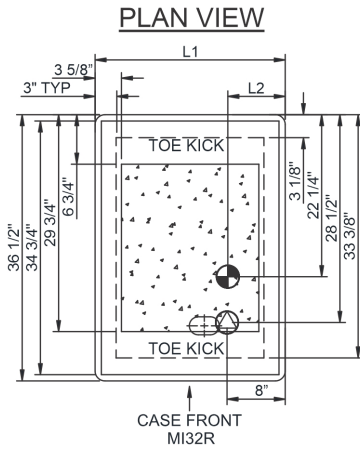
- Breezer self-contained refrigeration
- Casters
- Corrosion resistant stainless steel tub & fan shroud
- One year parts & labor; 5 year compressor warranty
- Removable deck pans provide complete access to evaporator coil & refrigeration connections
- Solid metal deck
- Straight insulated glass ends
- Warmest average product temperature adjustable from 38°F to 40°F



MI32R

Specify	Standard Features	Additional Options
EXTERIOR COLOR	• Powder coated Silversan Black	• Laminate (non-stock colors) • Laminate (stock colors) • Powder coated (stock colors, specify RAL#) • Stainless steel
INTERIOR COLOR	• Powder coated Silversan Black	• Stainless steel
LOWER FRONT PANEL COLOR	• Powder coated Silversan Black	• Stainless steel (must choose stainless exterior)
BASE SUPPORT	• Powder coated Silversan Black	• Stainless steel (must choose stainless exterior)
BUMPER	• 1" bumper, double strip (specify color)	
ELECTRICAL CONNECTION	• 6' 90° Straight blade power cord (self-cont.)	• 6' Locking power cord (self-cont.)
EVAPORATOR COIL	• Non-coated evaporator coil	• E-Coated evaporator coil
THERMOMETER	• Digital fahrenheit thermometer	• Digital celsius thermometer
MISCELLANEOUS		• Second year parts & labor warranty (excludes compressor)
ACCESSORIES		• Electrical drop cord cover (matches exterior color)

Intended Environment: Type I - Designed to operate in ambient conditions of 75°F with 55% relative humidity unless noted otherwise in system information below.		
Zone	Intended Product To Be Displayed	Warmest Avg Prod Temp ° F
1	Packaged raw meat (38°) Packaged produce/deli (40°)	38-40



- ELECTRICAL JUNCTION BOX (SUPPLIED WITH 6" LEADS OR POWER CORD).
- LOCATION OF DRAIN TUBE FOR REMOTE REF. ONLY (SUPPLIED WITH 3/4" OR 1 1/2" PVC TUBE).

NOTE: ALL DIMENSIONS APPROXIMATE

- REFRIGERATION LINE CONNECTION.
- REMOTE FLOOR SINK & UTILITIES ACCESS AREA.

- SELF-CONTAINED CASE SERVICE ACCESS AREA.
- DRY CASE SERVICE ACCESS AREA.

Model Technical Specifications																
Model	L"	L1"	L2"	System Circuit Volts		Phs	Freq	Amps ***	Watts	Wires	NEMA Plug	SST	Conv. Rack BTUH	Para. Rack BTUH	Est Wt	
MI32R	N/A	26.13	7.00	Self-Contained (R513A)		Circuit #1	110-120	1	60	11.04	1,014	N/A	5-15P or L5-15P	N/A	N/A	650

*** Does not include electric defrost on freezer models.

Regulatory Approvals:

All Models	Accordance with AHRI Std 1200 ETL Listed to UL 471 ETL Listed to CAN/CSA 22.2 No. 120 ETL Sanitation to NSF/ANSI 7
------------	---



Important Notes:

- 1) ELECTRICAL NOTE: If GFCI is required, a GFCI breaker MUST be used in lieu of a GFCI receptacle
- 2) Maximum load height is 8-1/4" up from deck.
- 3) Compressor air side intake and side discharge. All louvered panels cannot be blocked.

⚠ WARNING: This product can expose you to chemicals, including Urethane (Ethyl Carbamate), which are known to the State of California to cause cancer and birth defects or other reproductive harm. For more information go to www.P65Warnings.ca.gov.