

Thermal Carafe BLK (12pk)

8.0" x 8.2" x 6.4"
(20.3cm x 20.8cm x 16.3cm)

- Holds 62oz (1.83L) of coffee or other hot beverages
- Unbreakable stainless steel interior and exterior
- Vacuum insulation keeps beverages hot for hours



Agency:



Specifications

Product #: 36029.0000

Finish: Stainless/Black

Liner: Stainless Steel

Lid Color: Black

Additional Features

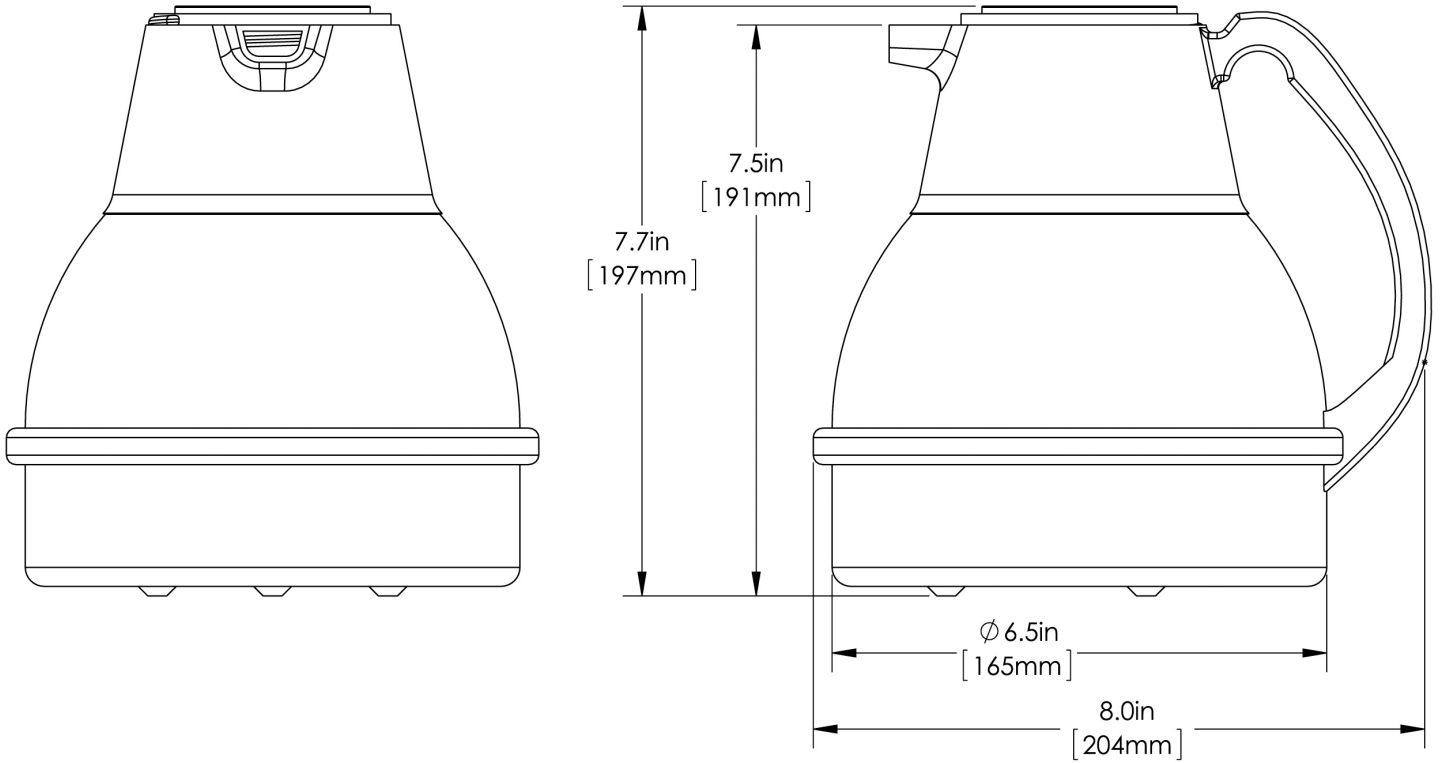
Holding Capacity

English	Metric
62 oz.	1.8 L



BUNN® reserves the right to change specifications and product design without notice. Such revisions do not entitle the buyer to corresponding changes, improvements, additions or replacements for previously purchased equipment. For most current specifications and other info visit bunn.com.

Created on:
08/08/2017



	Unit			Shipping				
	Width	Height	Depth	Width	Height	Depth	Weight	Volume
English	6.4 in.	8.0 in.	8.2 in.	-	-	-	31.850 lbs	3.342 ft ³
Metric	16.3 cm	20.3 cm	20.8 cm	-	-	-	14.447 kgs	0.095 m ³



BUNN® reserves the right to change specifications and product design without notice. Such revisions do not entitle the buyer to corresponding changes, improvements, additions or replacements for previously purchased equipment. For most current specifications and other info visit bunn.com.

Created on:
08/08/2017

Related Products & Accessories: Thermal Carafe BLK (12pk)(36029.0000)



THERMAL CARAFE, BLK
1.9L 1PK

Product #: 36029.0001



JARRAS CON
ACCESORIOS

Product #: 36029.0001



THERMAL CARAFE, ORN
1.9L 12PK

Product #: 36252.0000



THERMAL CARAFE, ORN
1.9L 1PK

Product #: 36252.0001



JARRAS CON
ACCESORIOS

Product #: 36252.0001

STOPPER, THRLM
CARFE 1.9L-BLK

Product #: 36254.0000



CARAFE, SST 1.9L SHRT
BLK 1/

Product #: 40163.0000



JARRAS

Product #: 40163.0000



CARAFE, SST 1.9L SHRT
ORN 1/

Product #: 40163.0001



CARAFE, SST 1.9L SHRT
BLK 12/

Product #: 40163.0100



CARAFE, SST 1.9L SHRT
ORN 12/

Product #: 40163.0101



BUNN® reserves the right to change specifications and product design without notice. Such revisions do not entitle the buyer to corresponding changes, improvements, additions or replacements for previously purchased equipment. For most current specifications and other info visit bunn.com.

Created on:
08/08/2017