

# EVERPURE® SIMPLIFLOW™ WATER MANAGEMENT SYSTEM SINGLE STANDARD MANIFOLD

ADAPTABLE, SIMPLE TO USE BEVERAGE LINE MANAGEMENT MANIFOLD SYSTEM

SimpliFlow Single Standard Manifold: EV9961-00



Shown with optional inlet plugs, fittings, outlet plugs; valves not included in EV9961-00

## APPLICATIONS

Ingredient water management  
Organize water types by manifold

## BENEFITS • FEATURES

Organize back room water lines  
Manage water by water quality profiles and application  
Easy to install  
Compact footprint  
Easily identify water lines using stickers included with each manifold  
Multiple connection options available  
Inlet can be oriented from left, right or bottom of manifold  
Flexible manifold can be rotated 90 degrees within bracket to allow for elbow connections

## INSTALLATION TIPS

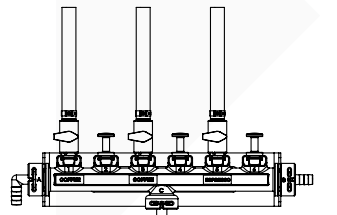
Selected installation location should allow for:

- Adequate space for "in" and "out" water line connections
- Mounting screws anchoring into a solid structure

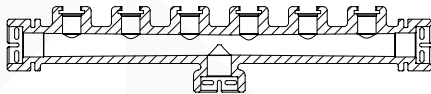
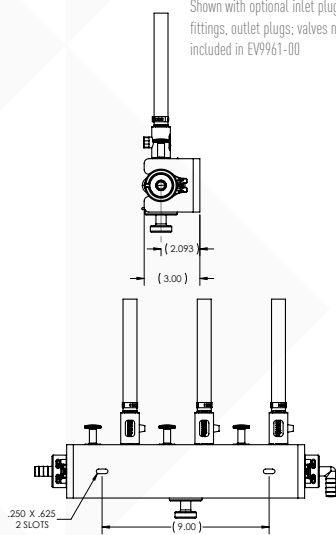
## OPERATIONAL TIPS

Lubricate o-ring seals on valves and plugs at installation using high quality food-grade silicone

# EVERPURE® SIMPLIFLOW™ WATER MANAGEMENT SYSTEM SINGLE STANDARD MANIFOLD



Shown with optional inlet plugs, fittings, outlet plugs; valves not included in EV9961-00



\* All connectors, plugs and valves are quick change (QC), double o-ring seal style connections

† Schrader valves not supplied or installed by Pentair

†† 1/8" pressure gauges not installed by Pentair

## OPTIONS

### INLET CONNECTION\*

1/2" (1.3 cm) barb fitting (both straight and elbow)

3/4" (1.9 cm) barb fitting (both straight and elbow)

1" (2.5 cm) barb fitting (straight only)

### INLET PLUG\*

3/4" (1.9 cm) plug

3/4" (1.9 cm) plug with 1/8" hole for Schrader® valve† and 1/8" pressure gauge††

### OUTLET VALVE\*

1/2" (1.3 cm) outlet valve with barb fitting

3/8" (0.9 cm) outlet valve with barb fitting

### OUTLET PLUG\*

1/2" (1.3 cm) plug

## SPECIFICATIONS

### Overall Dimensions

18" W x 4.5" H x 3" D  
(45.7 cm W x 11.4 cm H x 7.6 cm D)

### Pressure Requirements

10 -125 psi (0.7 - 8.6 bar)

### Temperature

35 - 100°F (2 - 38°C)

### Electrical Connection

None required

## WARRANTY

Everpure water treatment systems from Pentair (excluding replaceable elements) are covered by a limited warranty against defects in material and workmanship for a period of two years after date of purchase. Replaceable elements (valves and fittings) are covered by a limited warranty against defects in material and workmanship for a period of one year after date of purchase. See printed warranty for details. Pentair will provide a copy of the warranty upon request.

## PARTS LIST

PART #	OPTION	DESCRIPTION
EV3135-34	Inlet Connection	Fitting, 1/2" (2.7 mm) barb
EV3135-35	Inlet Connection	Elbow, 1/2" (2.7 mm) barb
EV3135-50	Inlet Connection	Fitting, 3/4" (19.05 mm) barb
EV3135-89	Inlet Connection	Fitting, 1" (25.4 mm) barb
EV3136-00	Inlet Connection	Elbow, 3/4" (19.05 mm) barb
EV3135-48	Inlet Plug	Plug, Inlet, 1/2" (2.7 mm)
EV3137-16	Inlet Plug	Plug, Inlet, 1/2" (2.7 mm) w/ 1/8" (1.59 mm) NPT
EV3135-49	Outlet Plug	Plug, Outlet, 1/2" (2.7 mm)
EV3135-52	Outlet Valve	Valve, Ball, 1/2" (2.7 mm)
EV3136-09	Outlet Valve	Valve, Ball, 3/8" (2.7 mm)



## FILTRATION & PROCESSING SOLUTIONS

EVERPURE-SHURFLO WORLD HEADQUARTERS, 1040 MUIRFIELD DRIVE, HANOVER PARK, IL 60133 USA • WWW.EVERPURE.COM  
800.942.1153 MAIN (US ONLY) • 630.307.3000 MAIN • 630.307.3030 FAX • CSEVERPURE@PENTAIR.COM EMAIL

EVERPURE-SHURFLO AUSTRALIA / NEW ZEALAND, 1-21 MONASH DRIVE, DANDENONG SOUTH, VIC 3175 AUSTRALIA  
1300 576 190 TEL • AU.EVERPURE@PENTAIR.COM EMAIL

EVERPURE-SHURFLO CHINA, 21F CLOUD 9 PLAZA, NO 1118, SHANGHAI, 200052, CHINA  
86.21.3211.4588 TEL • 86.21.3211.4580 FAX • CHINA.WATER@PENTAIR.COM EMAIL

EVERPURE-SHURFLO INDIA, GREEN BOULEVARD, B-9/A, 7TH FLOOR - TOWER B SECTOR 62, NOIDA - 201301  
91.120.419.9444 TEL • 91.120.419.9400 FAX • INDIACUSTOMER@PENTAIR.COM EMAIL

EVERPURE-SHURFLO EUROPE, PENTAIR WATER BELGIUM BVBA, INDUSTRIEPARK WOLFSTEE, TOEKOMSTLAAN, 30 B-2200 HERENTALS, BELGIUM  
+32.(0).14.283.500 TEL • +32.(0).14.283.505 FAX • SALES@EVERPURE-EUROPE.COM EMAIL

EVERPURE-SHURFLO JAPAN INC., HASHIMOTO MN BLDG. 7F, 3-25-1 HASHIMOTO, MIDORI-KU, SAGAMIHARA-SHI KANAGAWA 252-0143, JAPAN  
81.(0)42.775.3011 TEL • 81.(0)42.775.3015 FAX • INFO@EVERPURE.CO.JP EMAIL

EVERPURE-SHURFLO SOUTHEAST ASIA, 18 BOON LAY WAY, #04-110/111, TRADEHUB 21, 609966, SINGAPORE  
65.6795.2213 TEL • FAX: 65.6795.2219 FAX • CSEVERPURE@PENTAIR.COM EMAIL

All Pentair trademarks and logos are owned by Pentair, Inc. All other brand or product names are trademarks or registered marks of their respective owners. Because we are continuously improving our products and services, Pentair reserves the right to change specifications without prior notice. Pentair is an equal opportunity employer.