



# GEMINI COFFEE BREWING SYSTEM

Model: GEM-120A-10 (120V with Standard Brew Basket)  
GEM-120A-12 (120V with High Capacity Deluxe Brew Basket)  
GEM-120A-30 (220V with Standard Brew Basket)



GEM-120A-10 with Standard Brew Basket

ITEM NO \_\_\_\_\_

PROJECT \_\_\_\_\_

DATE \_\_\_\_\_

The Gemini System 120A conveniently and automatically brews 12 or 24 cups of rich, full-bodied coffee per cycle into a 36-cup insulated Satellite Server. A brew-ready light signals when water temperature is ready for the next brewing cycle. This full-featured brewer conveniently plugs into a conventional 115V wall outlet.

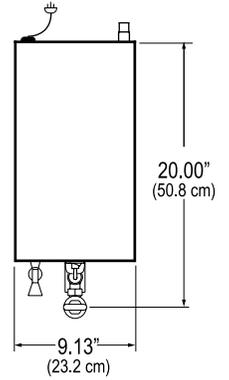
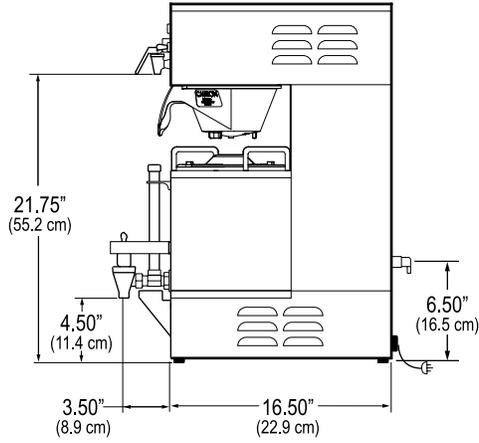
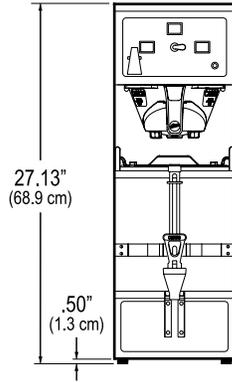
## FEATURES AT A GLANCE

- Brews automatically in 12-cup or 24-cup increments.
- Hot water faucet lets you draw steaming hot water for tea, soups or cup meals even during brewing.
- High-efficiency, double-wall insulation in each Satellite Server maintains coffee temperature for extended periods without warming. Coffee cannot deteriorate, but maintains its rich, full-bodied flavor.
- Locking Satellite lids guard against accidental spills.
- Color coded satellite faucets available for regular and decaffeinated coffee and tea.

## OPTIONS

- 2.5", adjustable plastic legs.
- Oversize Stainless Steel Brew Basket.

**GEM-120A-10**  
**GEM-120A-12\***  
**GEM-120A-30**



**SPECIFICATIONS**

MODEL	DIMENSIONS (H x W x D)	VOLTAGE	AMPS	WATTS	WIRE	HERTZ	WATER CONNECTION	SHIP WEIGHT (LBS.)	CUBE (CU. FT.)
GEM-120A-10	27.13" x 9.13" x 20.25"	120V	15A	1775W	2 W+G	50/60 Hz	1/4" Flare	41	7.66
GEM-120A-12*	27.13" x 9.13" x 20.25"	120V	15A	1775W	2 W+G	50/60 Hz	1/4" Flare	41	7.66
GEM-120A-30	27.13" x 9.13" x 20.25"	220V	9.9A	2175W	2 W+G	50/60 Hz	1/4" Flare	41	7.66

\* GEM-120A-12 USES HIGH CAPACITY DELUXE BREW BASKET (WC-3338-101)

**GEMINI ACCESSORIES**



**GEM-3 INSULATED SATELLITE SERVERS**

Expand your coffee service by placing extra Satellite Servers in strategic locations away from brewer. Serving stands are available in two heights to provide extra convenience.

Dimensions (HxWxD).....11" x 9" x 9"



**GEM-5 HEATED SATELLITE SERVING STAND**

Raises Satellite to 9.75" for decanter service.

Dimensions (HxWxD).....9.75" x 9" x 9"  
 Power.....115V/100W



**GEM-8 HEATED SATELLITE SERVING STAND**

Raises Satellite to 5.38" for cup service.

Dimensions (HxWxD).....5.38" x 9" x 9"  
 Power.....115V/100W



**STAINLESS STEEL DRIP TRAYS**

Perfect for Gemini Systems and Stands

Dimensions (HxWxD).....0.75" x 8" x 5"



**WC-3504 LEGS**

2.5" to 3" adjustable black plastic legs

SPECIFICATIONS SUBJECT TO CHANGE WITHOUT NOTICE.



WILBUR CURTIS COMPANY, INC.  
 6913 Acco Street, Montebello, CA 90640-5403  
 Telephone: 800-421-6150 • 323-837-2300  
 Technical Support: 800-995-0417 M-F 5:30am-4:00pm PST  
 Fax: 323-837-2406  
 www.wilburcurtis.com

