



KM-1301SAJ-E

MODULAR CRESCENT CUBER



KM-1301SAJ-E
07/02/24
Item # 13191

W x D x H
1219 x 695 x 695 mm


KMEDGE™


KM-1301SAJ-E
Air-Cooled
Shown on optional bin B-900



Item #: _____
Project: _____
Qty: _____
AIA#: _____

Features

- ▶ Individual crescent cube
- ▶ Stainless steel evaporator
- ▶ CycleSaver™ design 

- Up to 624 kg. of ice production per 24 hours
- Stackable for 1248 kg. per 24 hours ice production in the same floor space
- Durable stainless steel exterior
- EverCheck™ alert system 
- Removable air filters (Air-cooled model only)
- R-404A Refrigerant

Available on Bins:

B-800 **B-1150SS** **B-1500SS** *Top kit may be required.*
B-900 **B-1300SS** **B-1650SS** *See Bin Spec Sheets.*

Warranty:

Call factory for warranty information.

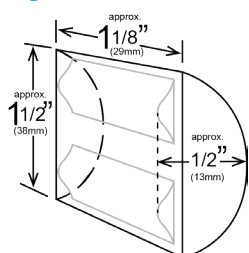
Shipping: (LxWxH) 1312 x 845 x 829 mm Volume: 0.919m³



Condenser	Model	ICE PRODUCTION				WATER USAGE			ELECTRICAL				
		Air / Water Temp kg per 24 hours 21°/10°C 32°/21°C	Potable liters per 45 kg 32°/21°C	Condenser liters per 45 kg 32°/21°C	kWh Used per 45 kg 32°/21°C	Min. Circuit/ Max. Fuse Size	Amperage	Voltage	Circuit Wires (including ground)	Heat Rejection BTU/hr.	Refrigerant Charge Amount	Net / Ship Weight (kg)	
Air	KM-1301SAJ-E	624	501	132	N/A	4.52	20A	11.35A	220-240/50/1	3	16,100	1900g	136 / 154

Power cord not included. Must be hard-wired at site.

KMEdge™ Cube Dimensions*



* approximate size in inches, image not to scale

Operating Limits

- Ambient Temp Range 7 - 38°C
- Water Temp Range 7 - 32°C
- Water Pressure 69 - 779KPa
- Voltage Range 198-254V
- If GFCI is required, a GFCI breaker MUST be used in lieu of GFCI receptacle

Service

- Panels easily removed and all components accessible for service.
- Allow 15cm (6") clearance at rear, sides, and top for proper air circulation and ease of maintenance/service.

Plumbing

- Icemaker Water Supply Line: Min. 10 mm Nominal OD Copper Water Tubing or Equivalent
- Icemaker Drain Line: Min. 18 mm Nominal OD Hard Pipe or Equivalent

Water Filter

Please refer to water filter spec sheet for recommended configurations.



KM-1301SAJ-E

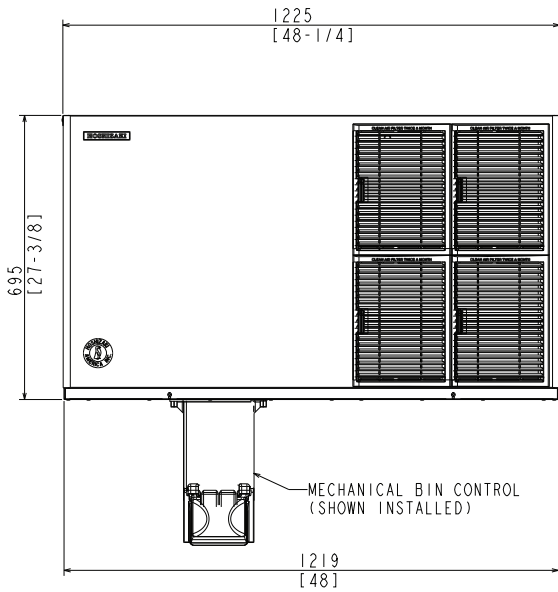
MODULAR CRESCENT CUBER



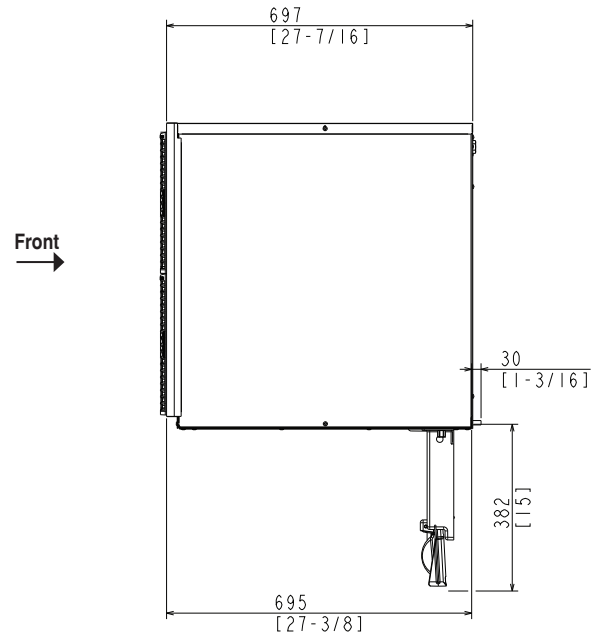
KM-1301SAJ-E
07/02/24
Item # 13191

mm
[inch]

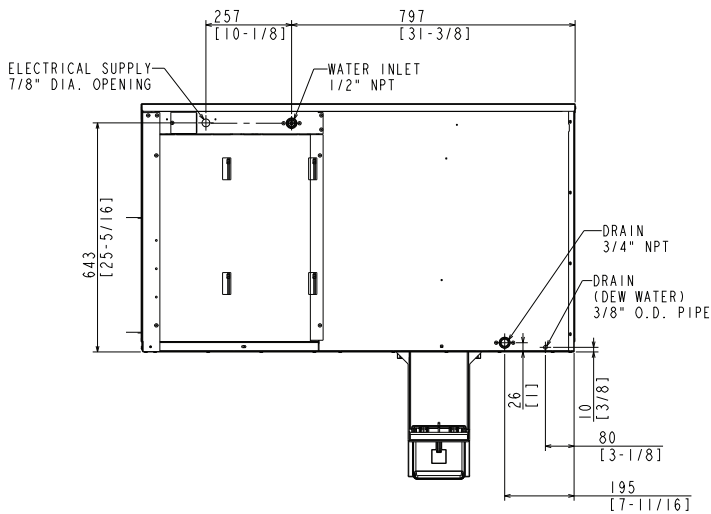
FRONT VIEW



SIDE VIEW



REAR VIEW



BOTTOM VIEW

