



DUKERS
Quality Commercial Refrigeration

Item # _____

Qty # _____

Model # _____

Project # _____



GRIDDLE DCGMA12



Oil Tray



PRODUCT DESCRIPTION

-  Stainless steel exterior and interior.
-  30,000 BTU Burners per 12" section with standby pilots.
-  Independent manual controls every 12".
-  Heavy duty 1" thick polished steel griddle plate.
-  Each griddle is shipped with Standard Natural Gas, LP conversion kit.
-  Adjustable, stainless steel legs standard.
-  Full length seamless drip pan, easy to remove and clean.



HIGH QUALITY STAINLESS STEEL & ROBUST DESIGN

* All measures are presented in Inches

GRIDDLE MODEL	DIMENSION		
	Width	Depth	Height
DCGMA12	12 in	33 1/2	15 1/4 in



Los Angeles | San Francisco | Dallas
Houston | Florida | Chicago | New Jersey

1-800-931-8628

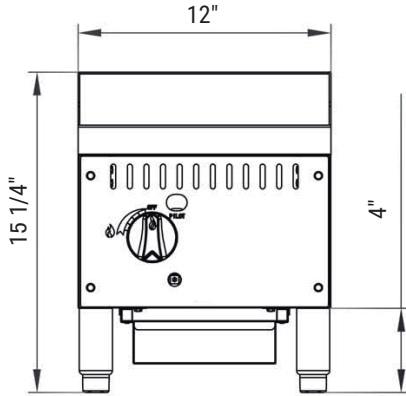
@ info@dukersusa.com

www.DukersUSA.com

DETAILS & SPECIFICATIONS

GRIDDLE DCGMA12

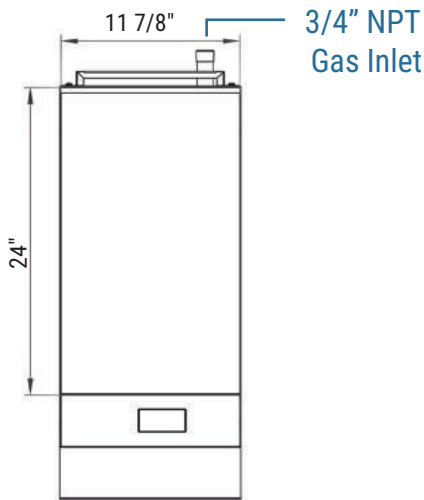
Front View



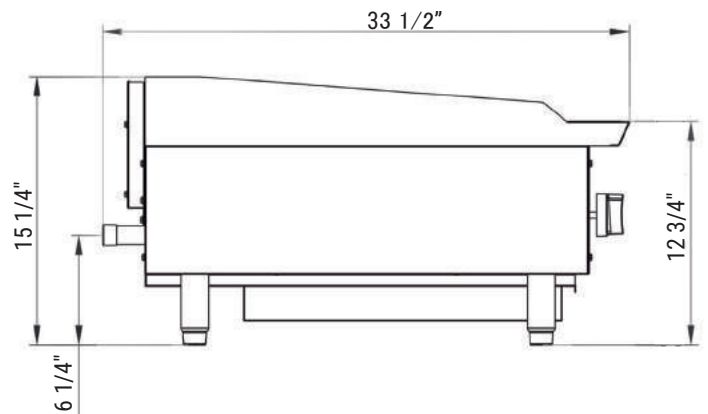
DCGMA12

GAS SOURCE	NG/Propane
WORK AREA	11.85" x 24"
BURNER	1 count
SINGLE BURNER	29000 BTU/H
COMBINED	29000 BTU/H
GAS PRESSURE	NG: 4 "WC Propane: 10 "WC
NOZZLE	NG: 37# Propane: 51#

Top View



Side View



Model	Packaging Dimensions (inches)			Net Weight (lbs)	Ship Weight (lbs)
	W	D	H		
DCGMA12	14 1/8"	36 1/4"	18 7/8"	165	180



Los Angeles | San Francisco | Dallas
Houston | Florida | Chicago | New Jersey

1-800-931-8628

@ info@dukersusa.com

www.DukersUSA.com