



# REFRIGERATORS & FREEZERS

## REACH-IN DUAL TEMP MODEL 9404-27DT

Make the most out of valuable floor space by choosing one of the dual-temperature upright models. These dual-temps come in standard models available with the location of the refrigerator/freezer on top or bottom. This design offers tremendous menu flexibility by allowing dual temperature storage in a compact size. The small footprint combined with a lower height than traditional uprights allows it to be positioned on the line or able to utilize the top for storage. Standard models available in both right and left hinged versions. Units come standard on 6" casters and have dual 5-15P cord and plugs.



PROJECT NAME:	
LOCATION:	
ITEM NO:	
QTY:	
MODEL NO:	
AIA NO:	
SIS NO:	
CSI SECTION:	11400



9404-27DT-RTFBL Model Shown

### AVAILABLE MODELS:

- 9404-27DT-RTFBL, Left Hinged, Refrigerator Top, Freezer Bottom
- 9404-27DT-RTFBR, Right Hinged, Refrigerator Top, Freezer Bottom
- 9404-27DT-RBFTL, Left Hinged, Refrigerator Bottom, Freezer Top
- 9404-27DT-RBFTR, Right Hinged, Refrigerator Bottom, Freezer Top

### STANDARD FEATURES:

- Fully assembled and shipped ready for plug-in operation
- (2) adjustable shelves, behind self-closing stainless steel doors

**CABINET INTERIOR:** Interior of cabinet is fully coved to meet N.S.F. standard #7. The Interior bottom and back are anodized aluminum. The interior sides are ABS. Unit insulated with a minimum of 2.5" foamed in place polyurethane.

**CABINET EXTERIOR:** Unit front and sides are stainless steel. Bottom and back of unit are corrosion resistant steel. Door openings are thermo-formed ABS plastic which provides a easily cleanable thermal-break with a hidden magnetic strip full perimeter that lines up with press-fit gasket of door forming a positive seal. Standard on 6" casters.

**DOORS:** Stainless steel front with easy to grasp handles, mounted on heavy-duty concealed hinges. Hinges are all stainless steel with bronze pivot pin in nylon bushing, spring loaded to be self-closing. Door with foamed in place insulation, press fit magnetic gaskets - (designed for installation & removal without tools), and deep draw ABS interior door liner for maximum insulation value.

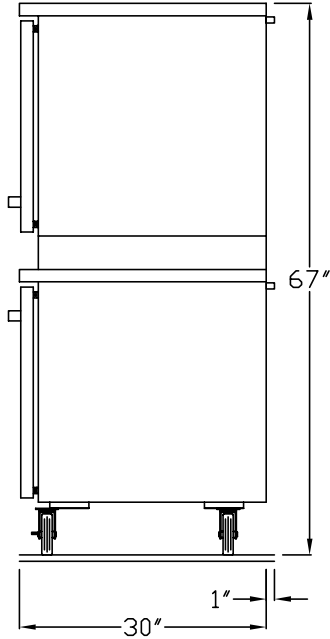
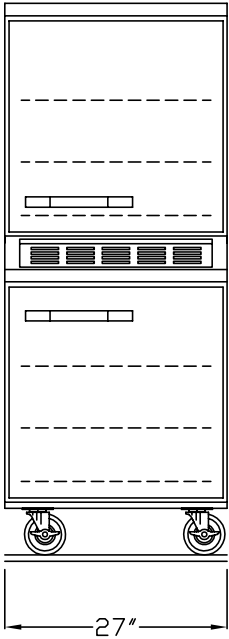
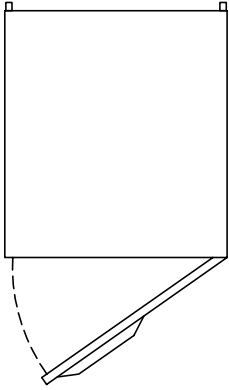
**REFRIGERATION SYSTEM:** Self-contained dual refrigeration systems, each with its own cord & plug. Refrigerators and freezers both utilize R290 natural refrigerant systems managed by an electronic control with adaptive defrost. Removable condensate evaporator drip pan, mounted on bottom of units.

### OPTIONS/ACCESSORIES:

Contact factory for option availability

### ADDITIONAL RESOURCES:

- [Request A Quote](#)
- [Sales Tools](#)
- [Find A Rep](#)



Model	Top	Bottom	L	D	H	Doors	Storage per cavity Cu. Ft.	HP	Volt	Amps	NEMA	Ship Wt.
9404-27DT-RTFBL	REF	FRZ	27"	30"	67"	2	5.66	(2) 1/4	115/60/1	(2) 2.2	(2) 5-15P	380
9404-27DT-RTFBR	REF	FRZ	27"	30"	67"	2	5.66	(2) 1/4	115/60/1	(2) 2.2	(2) 5-15P	380
9404-27DT-RBFTL	FRZ	REF	27"	30"	67"	2	5.66	(2) 1/4	115/60/1	(2) 2.2	(2) 5-15P	380
9404-27DT-RBFTR	FRZ	REF	27"	30"	67"	2	5.66	(2) 1/4	115/60/1	(2) 2.2	(2) 5-15P	380