

TITAN STAINLESS

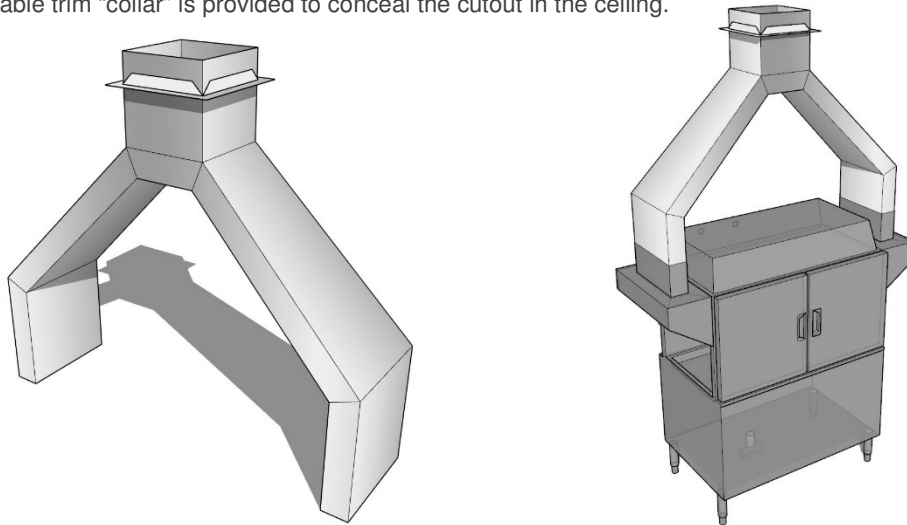
CUSTOM FOODSERVICE FABRICATION

502 Usher Street · Pageland, SC · 704-243-8717 · www.titan-stainless.com



PANT LEG DUCT

TITAN STAINLESS pant leg ducts are made using all-welded 18 gauge stainless steel construction. 201 series stainless is used to ensure protection from moisture. The bottom legs of the duct are sized to fit inside the vent stacks on a standard commercial dish machine's vent cowls. (Dish machine is shown in the illustration below for reference only.) An adjustable trim "collar" is provided to conceal the cutout in the ceiling.

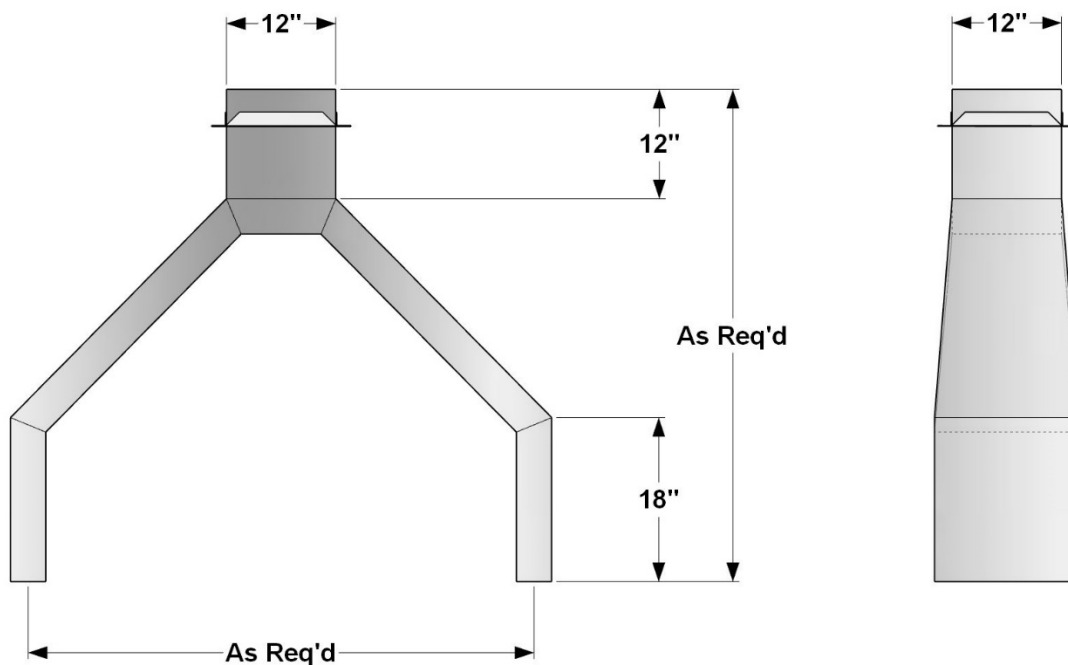


MODEL NUMBER SELECTION / INFORMATION

Model #: PLD

Pant leg ducts are custom-made for each project, meaning they do not have conventional "standard sizes". The make and model of the dish machine must be provided, along with the finished ceiling height of the dish room, for proper fit.

- See **AutoQuotes™** for full list of model numbers and pricing, along with all additional accessories
- Custom sizes and configurations are available upon request



TITAN STAINLESS

502 Usher Street · PO Box 8 · Pageland, SC 29728
Contact: 704-243-8717 · quotes@titan-stainless.com · www.titan-stainless.com

