

"UBBSS" UNDERBAR BLENDER SHELF

18GA Stainless Steel

FEATURES:

- 18GA Stainless Steel Construction
- Type 300 Stainless Steel With #4 Polish, Satin Finish
- 2" Diameter Rubber Grommet For Power Cord Access

SPECIFICATIONS:

- Top: 18GA Type 300 Stainless Steel
- Mounting Options: Bolt To Front Of Apron

CERTIFICATIONS:



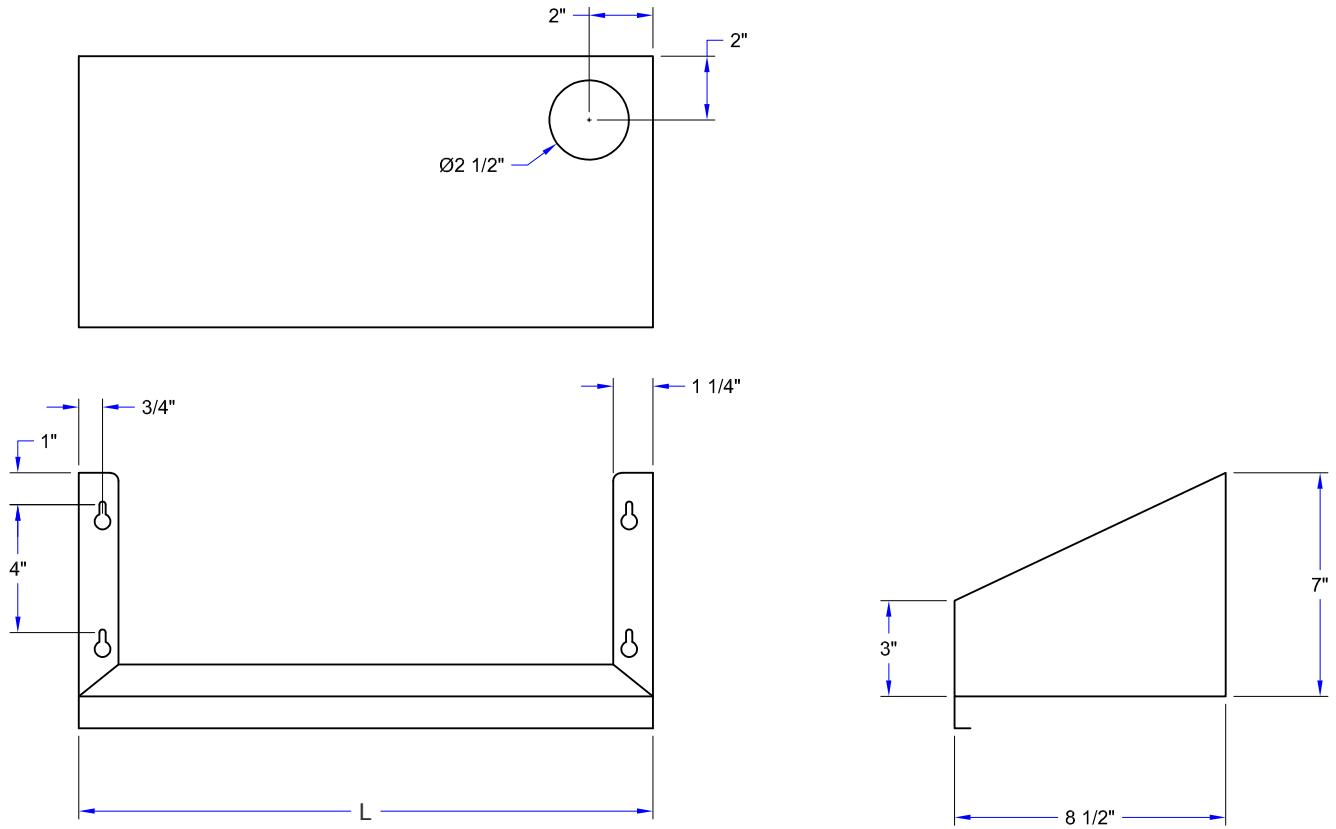
UBBSS-12

"UBBSS" UNDERBAR BLENDER SHELF

MODEL	SIZE (LXWXH)	LENGTH (L)	WEIGHT (LBS)
UBBSS-12	12"x8-1/2"x7"	12"	4
UBBSS-18	18"x8-1/2"x7"	18"	5

ALL DIMENSIONS ARE TYPICAL. TOLERANCE +/- .500". JOHN BOOS & CO. RESERVES THE RIGHT TO CHANGE SPECIFICATIONS WITHOUT NOTICE.

DETAILED SPECIFICATIONS



"UBBSS" UNDERBAR BLENDER SHELF

MODEL	SIZE (LXWXH)	LENGTH (L)	WEIGHT (LBS)
UBBSS-12	12"x8-1/2"x7"	12"	4
UBBSS-18	18"x8-1/2"x7"	18"	5

ALL DIMENSIONS ARE TYPICAL. TOLERANCE +/- .500". JOHN BOOS & CO. RESERVES THE RIGHT TO CHANGE SPECIFICATIONS WITHOUT NOTICE.