



# Electrolux

## Vegetable Slicer TRK70 Cutter Slicer - 7 QT - Variable Speed

ITEM # \_\_\_\_\_  
 MODEL # \_\_\_\_\_  
 NAME # \_\_\_\_\_  
 SIS # \_\_\_\_\_  
 AIA # \_\_\_\_\_



Electrolux



600495 (TRK70YU)

Vegetable Cutter/Mixer, angled front, continuous feed design, variable speed (300-3700 RPM), large single feed hopper, includes 7.4 qt stainless steel bowl, lid, bowl scraper, microtooth blade rotor, handle pusher, standard ejector, stainless steel feeding arm & hopper, aluminum motor housing, 1-1/3 HP, NEMA 5-20P, (discs NOT included)

### Short Form Specification

#### Item No. \_\_\_\_\_

Vegetable Cutter/Mixer, angled front, continuous feed design, variable speed (300-3700 RPM), large single feed hopper, includes 7.4 qt stainless steel bowl, lid, bowl scraper, microtooth blade rotor, handle pusher, standard ejector, stainless steel feeding arm & hopper, aluminum motor housing, 1-1/3 HP, NEMA 5-20P, (discs NOT included)

### Main Features

- 3 in 1 machine: cutter, emulsifier and vegetable slicer to slice, grate, liquidise, mix and mince in a matter of seconds.
- Incl system to incline motor base at 20° to better fit the vegetable slicer attachment.
- Vegetable slicer unit has slicing, grating, shredding (julienne) as well as dicing and french fries capabilities.
- Long vegetables round hopper integrated in the feed arm, 3/4 moon roundish hopper to limit pre-cutting operations.
- Emulsifier function (scraper) included as standard.
- Base fixed cover for a better handling.
- Pulse function to coarse chopping.
- All parts in contact with food are removable without the use of tools, completely dismountable and dishwasher safe.
- Automatic restart of the machine with the 3/4 moon shaped pusher in position.
- Magnetic safety system and motor brake. Prevents machine from running when vegetable preparation lever and/or hopper are lifted or when cutter lid is not properly closed.
- Automatic speed limitation according to the selected function (slicer or cutter).
- Complete and wide selection of blades and grids available, Diameter of blades and grids are 8" (205mm).
- Delivered with: 7.4qt (7lt) stainless steel cutter bowl, transparent lid, scraper and microtoothed blade rotor.
- Available upon request:
  - Automatic cylindrical hopper (dia=280 mm), long vegetable hopper (3 tubes) and cabbage hopper.

### Construction

- Stainless steel bowl has a high chimney to ensure high productivity also when processing liquids (75% of the nominal capacity).
- Food processing at 10 variable speeds: 300-3700 rpm.
- Power: TRK70 - 1.3 HP.
- Compact and portable design.
- Improved ventilation system to manage smoothly heavy duty use.
- Improved incl system for better stability.
- Improved fixing of long vegetable hopper pusher.
- TRK70 - 1.5 kW.

### Included Accessories

- 1 of Lid & bowl scraper, 7.4 quart, for cutter/mixer PNC 650104
- 1 of Microtooth blade rotor for 7.4 quart cutter/mixer PNC 653584
- 1 of Bowl, 7.4 quart, for cutter/mixer, stainless steel PNC 653593
- 1 of TRS & TRK ejector plate PNC 653772

### Optional Accessories



APPROVAL: \_\_\_\_\_

TRK70 Cutter Slicer - 7 QT - Variable Speed  
Vegetable Slicer



**Electrolux**

**Vegetable Slicer  
TRK70 Cutter Slicer - 7 QT -  
Variable Speed**

- Microtooth blade rotor for 7.4 quart cutter/ PNC 650041   
mixer for emulsions
- Julienne Disc 5/32" (4mm) PNC 650077
- Julienne Disc 1/4" (6mm) PNC 650078
- Julienne Disc 5/16" (8mm) PNC 650079
- Julienne Disc 3/8" (10mm) PNC 650080
- Slicing Disc 0.6mm (can be combined with PNC 650081   
Dicing Grids (MT) and Grids for Chips (FT))
- Slicing Disc 1/32" (1mm) (can be combined PNC 650082   
with Dicing Grids (MT) and Grids for Chips (FT))
- Slicing Disc 5/64" (2mm) (can be PNC 650083   
combined with Dicing Grids (MT) and  
Grids for Chips (FT))
- Slicing Disc 1/8" (3mm) (can be combined PNC 650084   
with Dicing Grids (MT) and Grids for Chips  
(FT))
- Slicing Disc 5/32" (4mm) (can be PNC 650085   
combined with Dicing Grids (MT) and  
Grids for Chips (FT))
- Slicing Disc 3/16" (5mm) (can be PNC 650086   
combined with Dicing Grids (MT) and  
Grids for Chips (FT))
- Slicing Disc 1/4" (6mm) (can be combined PNC 650087   
with Dicing Grids (MT) and Grids for Chips  
(FT))
- Slicing Disc 5/16" (8mm) (can be PNC 650088   
combined with Dicing Grids (MT) and  
Grids for Chips (FT))
- Wavy Slicing Disc 5/64" (2mm) (can be PNC 650089   
combined with Dicing Grids (MT) and  
Grids for Chips (FT))
- Wavy Slicing Disc 1/8" (3mm) (can be PNC 650090   
combined with Dicing Grids (MT) and  
Grids for Chips (FT))
- Wavy Slicing Disc 1/4" (6mm) (can be PNC 650091   
combined with Dicing Grids (MT) and  
Grids for Chips (FT))
- Bistrot Pack, Stainless Steel Disc Set PNC 650092   
containing one each of: C2S 5/64" (2mm)  
slicing disc, C5S 3/16" (5mm) slicing disc,  
J2X 5/64" (2mm) grating disc
- Gastronomy Pack, Stainless Steel Disc Set PNC 650093   
containing one each of: C2S 5/64" (2mm)  
slicing disc, C5S 3/16" (5mm) slicing disc,  
J2X 5/64" (2mm) grating disc, AS4X 5/32"  
x5/32" (4x4mm) shredding disc, C10PS  
3/8" (10mm) presser/slicer, MT10T 3/8"x3/8"  
(10x10mm) dicing grid
- Lid & bowl scraper, 7.4 quart, for cutter/ PNC 650104   
mixer
- Julienne Disc 5/64" x 5/16" (2 x 8mm) PNC 650158
- Julienne Disc 5/64" x 3/8" (2 x 10mm) PNC 650159
- Slicing Disc 3/8" (10mm) (can be PNC 650160   
combined with Dicing Grids (MT) and  
Grids for Chips (FT))
- Slicing Disc 15/32" (12mm) (can be PNC 650161   
combined with Dicing Grids (MT) and  
Grids for Chips (FT))
- Wavy Slicing Disc 5/16" (8mm) (can be PNC 650162   
combined with Dicing Grids (MT) and  
Grids for Chips (FT))
- Wavy Slicing Disc 3/8" (10mm) (can be PNC 650164   
combined with Dicing Grids (MT) and  
Grids for Chips (FT))
- Slicing Disc 33/64" (13mm) (can be PNC 650165   
combined with Dicing Grids (MT) and  
Grids for Chips (FT))
- Julienne Disc 5/64" (2mm) PNC 650166
- Julienne Disc 1/8" (3mm) PNC 650167
- Set of 4 Stainless Steel Discs containing PNC 650178   
one each of: C2S 5/64" (2mm) slicing disc,  
C5S 3/16" (5mm) slicing disc, J2X 5/64"  
" (2mm) grating disc and J7X 9/32" (7mm)  
grating disc
- Set of 7 Stainless Steel Discs containing PNC 650179   
one each of: C2S 5/64" (2mm) slicing disc,  
C5S 3/16" (5mm) slicing disc, J2X 5/64"  
" (2mm), J7X 9/32" (7mm) grating disc,  
AS4X 5/32"x5/32" (4x4mm) shredding  
disc, C10PSB 3/8" (10mm) presser/slicer,  
MT10T 3/8"x3/8" (10x10mm) dicing grid
- Stainless steel work table assembly. PNC 653283
- Dicing Grid 3/16" x 3/16" (5 x 5mm) (can PNC 653566   
be combined with Slicing Discs [C] and  
Wavy Slicing Discs (CW))
- Dicing Grid 5/16" x 5/16" (8 x 8mm) (can PNC 653567   
be combined with Slicing Discs [C] and  
Wavy Slicing Discs (CW))
- Dicing Grid 3/8" x 3/8" (10 x 10mm) (can PNC 653568   
be combined with Slicing Discs [C] and  
Wavy Slicing Discs (CW))
- Dicing Grid 15/32" x 15/32" (12 x 12mm) PNC 653569   
(can be combined with Slicing Discs [C]  
and Wavy Slicing Discs (CW))
- Dicing Grid 25/32" x 25/32" (20 x 20mm) PNC 653570   
(can be combined with Slicing Discs [C]  
and Wavy Slicing Discs (CW))
- Grid for Chips 1/4" (6mm) (can be PNC 653571   
combined with Slicing Discs [C] and Wavy  
Slicing Discs (CW))
- Grid for Chips 5/16" (8mm) (can be PNC 653572   
combined with Slicing Discs [C] and Wavy  
Slicing Discs (CW))
- Grid for Chips 3/8" (10mm) (can be PNC 653573   
combined with Slicing Discs [C] and Wavy  
Slicing Discs (CW))
- Smooth blade rotor for 7.4 quart cutter/ PNC 653583   
mixer
- Microtooth blade rotor for 7.4 quart cutter/ PNC 653584   
mixer
- Bowl, 7.4 quart, for cutter/mixer, stainless PNC 653593   
steel
- Smooth blade rotor for 7.4 quart cutter/ PNC 653712   
mixer for emulsions
- TRS & TRK ejector plate PNC 653772
- Grating Disc 5/64" (2mm) PNC 653773
- Grating Disc 1/8" (3mm) PNC 653774
- Grating Disc 5/32" (4mm) PNC 653775
- Grating Disc 9/32" (7mm) PNC 653776
- Grating Disc 11/32" (9mm) PNC 653777
- Grating Disc for breadcrumbs/potatoes PNC 653778



**Electrolux**

**Vegetable Slicer  
TRK70 Cutter Slicer - 7 QT -  
Variable Speed**

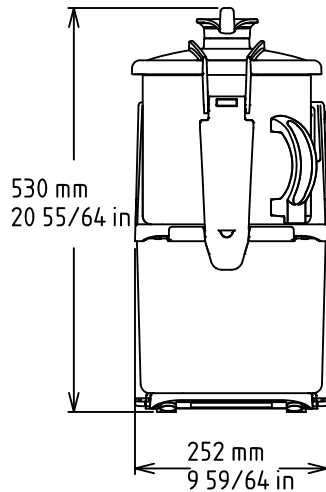
- Grating Disc for parmesan/chocolate PNC 653779  
□



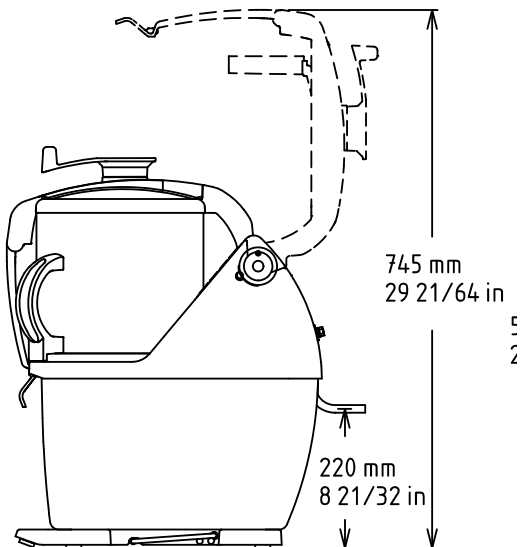
**Electrolux**

**Vegetable Slicer  
TRK70 Cutter Slicer - 7 QT -  
Variable Speed**

Front

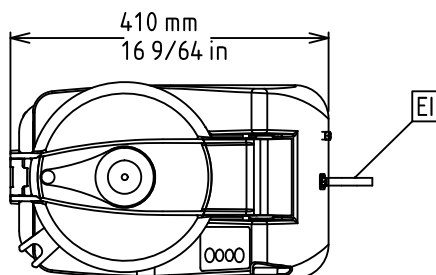


Side



EI = Electrical connection

Top



**Electric**

Supply voltage:

600495 (TRK70YU)

110-120 V/1N ph/60 Hz

Total Watts:

1.5 kW

Plug type:

USA NEMA 5-15P

**Key Information:**

External dimensions, Width: 9 15/16" (252 mm)

External dimensions, Depth: 19 1/16" (485 mm)

External dimensions, Height: 19 7/8" (505 mm)

Shipping width: 12 13/16" (325 mm)

Shipping depth: 32 1/16" (815 mm)

Shipping height: 23 5/8" (600 mm)

Shipping weight: 73 lbs (33 kg)



**Electrolux**

**Vegetable Slicer  
TRK70 Cutter Slicer - 7 QT -  
Variable Speed**

**Vegetable Slicer  
TRK70 Cutter Slicer - 7 QT - Variable Speed**

The company reserves the right to make modifications to the products  
without prior notice. All information correct at time of printing.

2018.09.14