

GAS PORK LEG ROTISSERIE OVEN

**METAL
SUPREME**

AMPTO™

MADE IN VENEZUELA



FR1PGVE

Standard Features

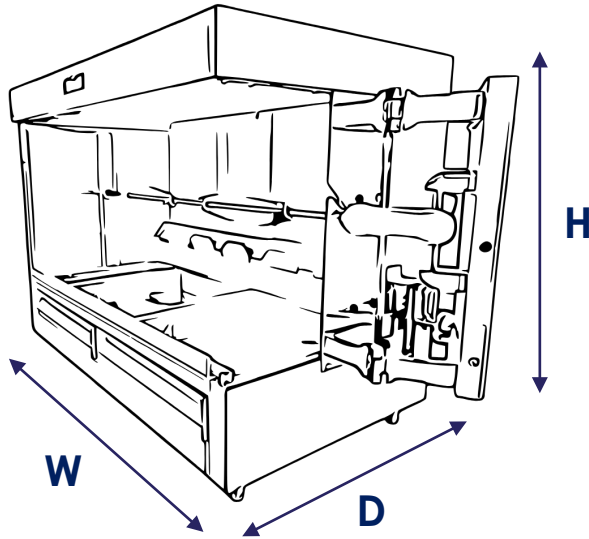
- All Stainless-Steel construction
- Sliding tempered glass doors
- Stainless-Steel round skewers with hooks
- 2 Stainless-Steel grease drawer collectors
- Independent motor per spit
- Capacity 1 pork leg
- Cooking time 20 min per pound of meat
(12 pounds requires 4 hours of cooking)



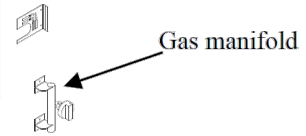
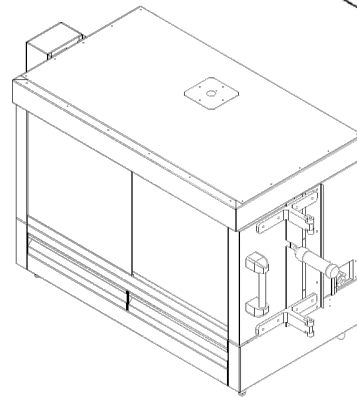
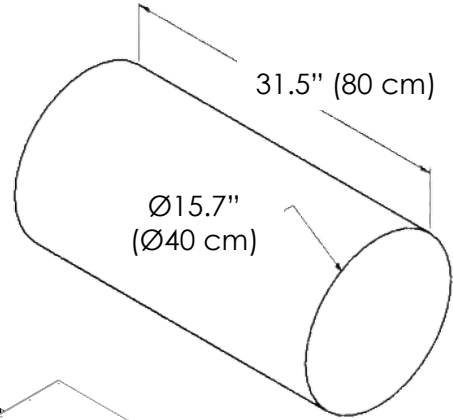
1-year parts and labor warranty (US Only)

ampto.com

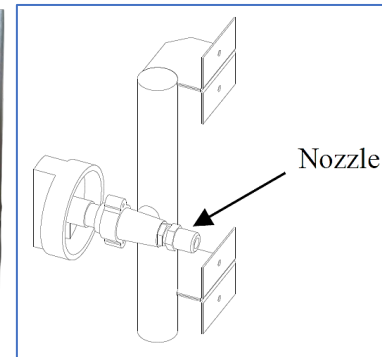
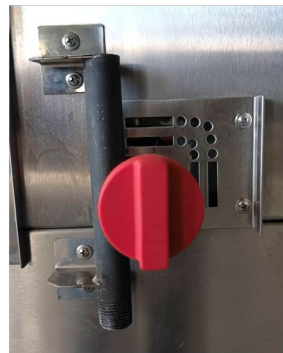
GAS PORK LEG ROTISSERIE OVEN



Rotisserie Capacity



SPECIFICATIONS	
FR1PGVE	
Rotisserie Capacity	31.5" length, Ø15.7", 26.5 lbs 80 cm length, Ø40cm, 12kg
Spit Qty	1
Burners Qty	1
Gas Power (BTU)	30,000
Gas connection	1/2" flare
Power Supply	110V/50-60hz/1ph
Amps	0.55
Plug / Connection	Nema 15-5
Unit Dims WxDxH	44.5" x 20.5" x 28" 113 x 28 x 71 cm
Product Weight (lbs)	100.9
Shipping Dims WxDxH	47" x 25" x 32"
Shipping Weight (lbs)	140



Notes:

- At least a 5" clearance is needed on oven's rear, left and right side for proper performance.
- Ovens are top-vented, operated under a hood or direct exhaust (where permitted)
- Standard Precaution: Do not add liquid to hot glassware.



Nema 5-15 125 VAC
2 Pole, 3 Wire
Grounding

AMPTO is continuously improving products. Specifications are subject to change without notice.