



Special Features:

- ✓ Super Duty Work Tables
- ✓ Work Area: Stainless Flat Top 10ft² - 20ft²
- ✓ Sturdy 16-Gauge 304 Stainless Steel Work Area
- ✓ High Loading Capacity for Work Area & Undershelf
- ✓ Undershelf Material: 18-Gauge 430 Stainless Steel
- ✓ No Backsplash
- ✓ Stainless Steel Hat Channel
- ✓ Stainless Steel Legs With 1-5/8" Diameter
- ✓ Stainless Steel Adjustable Bullet Feet

About Empura Super Duty Work Tables:

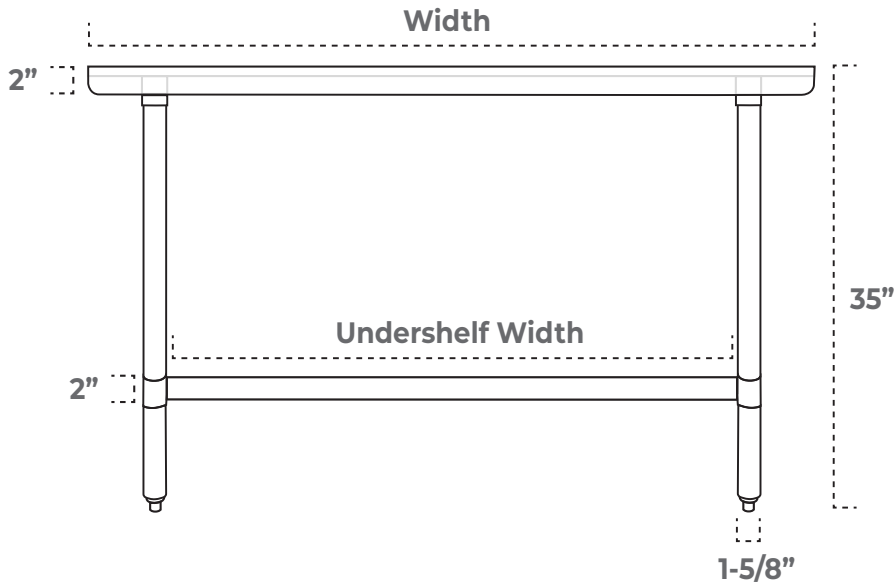
Empura work tables are an economical choice when looking to update, or expand your existing working and storage area. The heavy duty 16 gauge 304 stainless steel and 18 gauge 430 stainless steel construction, strong undershelf, easily adjustable feet, and 1-5/8" diameter legsmakes these work tables the sturdy and dependable workhorse models that kitchen staff can rely on to provide unwavering stability and support for any task they need to accomplish.

TECHNICAL SPECS

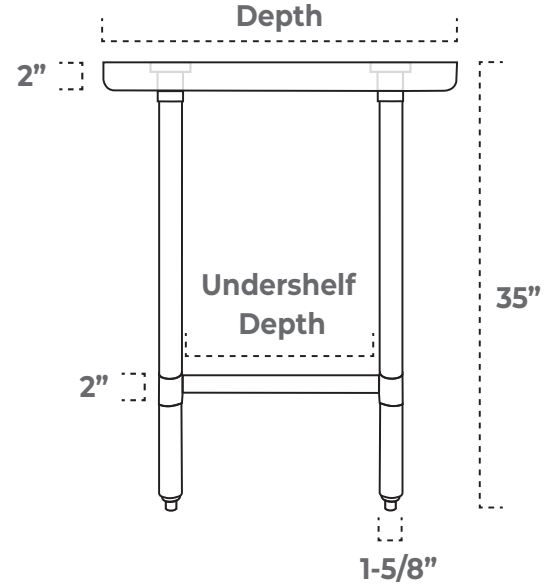
Model #	SWT3048	SWT3060	SWT3072	SWT3096
Overall Width	48"	60"	72"	96"
Overall Depth	30"	30"	30"	30"
Overall Height	35"	35"	35"	35"
Leg Diameter	1-5/8"	1-5/8"	1-5/8"	1-5/8"
Undershelf Width	42"	54"	66"	90"
Undershelf Depth	24"	24"	24"	24"
Undershelf Thickness	2"	2"	2"	2"
Backsplash Height	N/A	N/A	N/A	N/A
Top Shelf Loading Capacity	600 Lbs	620 Lbs	640 Lbs	800 Lbs
Undershelf Loading Capacity	370 Lbs	390 Lbs	410 Lbs	480 Lbs
Shipping Weight	69.3 Lbs	81.4 Lbs	93.5 Lbs	136.4 Lbs
Top Shelf Material	304 SS	304 SS	304 SS	304 SS
Top Shelf Gauge	16 G	16 G	16 G	16 G
Undershelf Material	430 SS	430 SS	430 SS	430 SS
Undershelf Gauge	18 G	18 G	18 G	18 G
Hat Channel Material	Stainless Steel	Stainless Steel	Stainless Steel	Stainless Steel
Leg Material	Stainless Steel	Stainless Steel	Stainless Steel	Stainless Steel
Foot Material	Stainless Steel	Stainless Steel	Stainless Steel	Stainless Steel

UNIT VIEW

Front View



Side View



Top View



Intended For Commercial Use Only. Empura assumes no liability for component failure, factory defects or any other damages for units installed in non-commercial foodservice or residential applications.

Attention CA Residents: This product can expose you to chemicals including lead, which are known to the State of California to cause cancer, birth defects, or other reproductive harm. For more information, go to www.p65warnings.ca.gov.